



(11) **EP 2 198 117 B1**

(12) **EUROPEAN PATENT SPECIFICATION**

(45) Date of publication and mention of the grant of the patent:
14.08.2019 Bulletin 2019/33

(21) Application number: **08832133.6**

(22) Date of filing: **19.09.2008**

(51) Int Cl.:
E21B 33/06^(2006.01)

(86) International application number:
PCT/US2008/076974

(87) International publication number:
WO 2009/039349 (26.03.2009 Gazette 2009/13)

(54) **SYSTEM AND METHOD FOR PROVIDING ADDITIONAL BLOWOUT PREVENTER CONTROL REDUNDANCY**

SYSTEM UND VERFAHREN ZUR BEREITSTELLUNG VON ZUSÄTZLICHER STEUERREDUNDANZ FÜR EINEN BLOW-OUT-PREVENTER

SYSTÈME ET PROCÉDÉ POUR FOURNIR UNE REDONDANCE SUPPLÉMENTAIRE DE COMMANDE DE BLOC OBTURATEUR DE Puits

(84) Designated Contracting States:
AT BE BG CH CY CZ DE DK EE ES FI FR GB GR HR HU IE IS IT LI LT LU LV MC MT NL NO PL PT RO SE SI SK TR

(30) Priority: **21.09.2007 US 974339 P**

(43) Date of publication of application:
23.06.2010 Bulletin 2010/25

(73) Proprietor: **Transocean Sedco Forex Ventures Ltd. Houston, TX 77046 (US)**

(72) Inventors:
• **MCGRATH, Scott, Phillip Sugar Land TX 77479 (US)**

• **WILLIAMS, Brian, Kelley Cypress TX 77433 (US)**

(74) Representative: **Hoffmann Eitle Patent- und Rechtsanwälte PartmbB Arabellastraße 30 81925 München (DE)**

(56) References cited:
US-A1- 2007 107 904 US-A1- 2007 107 904
US-B1- 6 192 680 US-B2- 7 222 674

EP 2 198 117 B1

Note: Within nine months of the publication of the mention of the grant of the European patent in the European Patent Bulletin, any person may give notice to the European Patent Office of opposition to that patent, in accordance with the Implementing Regulations. Notice of opposition shall not be deemed to have been filed until the opposition fee has been paid. (Art. 99(1) European Patent Convention).

Description

CROSS-REFERENCE TO RELATED APPLICATIONS

[0001] This application claims priority to U.S. provisional application serial number 60/974,339, filed September 21, 2007.

TECHNICAL FIELD

[0002] The invention relates generally to a fluid supply system and apparatus and, more particularly, to a backup hydraulic fluid supply system and apparatus for BOPs.

BACKGROUND OF THE INVENTION

[0003] Subsea drilling operations may experience a blow out, which is an uncontrolled flow of formation fluids into the drilling well. Blow outs are dangerous and costly, and can cause loss of life, pollution, damage to drilling equipment, and loss of well production. To prevent blow-outs, blowout prevention (BOP) equipment is required. BOP equipment typically includes a series of functions capable of safely isolating and controlling the formation pressures and fluids at the drilling site. BOP functions include opening and closing hydraulically operated pipe rams, annular seals, shear rams designed to cut the pipe, a series of remote operated valves to allow controlled flow of drilling fluids, and well re-entry equipment. In addition, process and condition monitoring devices complete the BOP system. The drilling industry refers to the BOP system in total as the BOP Stack.

[0004] The well and BOP connect to the surface drilling vessel through a marine riser pipe, which carries formation fluids (e.g., oil, etc.) to the surface and circulates drilling fluids. The marine riser pipe connects to the BOP through the Lower Marine Riser Package ("LMRP"), which contains a device to connect to the BOP, an annular seal for well control, and flow control devices to supply hydraulic fluids for the operation of the BOP. The LMRP and the BOP are commonly referred to collectively as simply the BOP, and as used herein and in the claims, the term BOP refers both to the BOP stack and the LMRP. Many BOP functions are hydraulically controlled, with piping attached to the riser supplying hydraulic fluids and other well control fluids. Typically, a central control unit allows an operator to monitor and control the BOP functions from the surface. The central control unit includes hydraulic control systems for controlling the various BOP functions, each of which has various flow control components upstream of it. An operator on the surface vessel typically operates the flow control components and the BOP functions via an electronic multiplex control system.

[0005] Certain drilling or environmental situations require an operator to disconnect the LMRP from the BOP and retrieve the riser and LMRP to the surface vessel. The BOP functions must contain the well when a LMRP is disconnected so that formation fluids do not escape

into the environment. To increase the likelihood that a well will be contained in an upset or disconnect condition, companies typically include redundant systems designed to prevent loss of control if one control component fails. Usually, companies provide redundancy by installing two separate independent central control units to double all critical control units. The industry refers to the two central control units as a blue pod and a yellow pod. Only one pod is used at a time, with the other providing backup.

[0006] While prior art systems have dual redundancy, this redundancy is effectively only safety redundancy but not operational redundancy, meaning that a single component failure will require stopping drilling operations, making the well safe, and replacing the failed component. Stopping drilling to replace components often represents a major out of service period and significant revenue loss for drilling contractors and operators.

[0007] Further, when the BOP is at the surface, testing various functions typically requires breaking threaded connections to the BOP function. Making and breaking threaded connections allows opportunity for damage to the connection, requiring replacement and possible downtime.

[0008] The industry needs a simple, reliable, and cost effective method to provide added redundancy and prevent unplanned stack retrievals. The industry needs a simpler, economic, and effective method of controlling subsea well control equipment and testing and maintaining the equipment when it is on the surface.

[0009] Reference is made to US 2007/107904 A1, which discloses the use of a remotely-operated vehicle (ROV) to establish a backup hydraulic flow to a BOP function by attaching one end of a hose to a modular valve block and the other end to an intervention shuttle valve, thus circumventing and isolating malfunctioning components. The system includes a modular valve block, within the flow path, which is removable and reinstallable via the ROV.

BRIEF SUMMARY OF THE INVENTION

[0010] According to the invention, there is provided a BOP fluid supply apparatus, comprising: a main source of hydraulic fluid; a BOP stack capable of providing a BOP function; a primary fluid flow route from the main source of hydraulic fluid, through a primary component for assisting in operating the BOP function, through a first valve, through a second valve, and then to the BOP equipment; and a secondary fluid flow route from the main source of hydraulic fluid, through an isolation valve rigidly fixed to the BOP, through a pilot-operated hot spare valve rigidly fixed to the BOP, through a hose removably connected to an intervention panel, through the second valve, and to the BOP equipment, wherein the secondary fluid flow route bypasses the primary component for assisting in operating the BOP function and the first valve and provides for hydraulic fluid to operate the BOP function.

[0011] Embodiments of the present invention provide redundancy to fluid flow components via alternative flow routes. They allow for safe and efficient bypass of faulty components while allowing continued flow to and control of functions. Embodiments of the present invention can be integrated into various existing flow systems or placed on entirely new flow systems to provide a layer of efficient redundancy.

[0012] In some embodiments, a remotely operated vehicle (ROV) may deploy selectable hydraulic supply to BOP equipment for providing a BOP function that has lost conventional control. The shuttle valve has an outlet that is hard piped to such BOP equipment for providing a BOP function, an inlet connected to another shuttle valve, and a secondary inlet that is hard piped from a receiver plate. During normal flow, the shuttle is in the normal flow position and fluid enters the primary inlet and flows around the shuttle stem and out of the outlet. When backup flow is introduced into secondary inlet, the fluid forces the shuttle to the actuated position, isolating the primary inlet and allowing flow only from the secondary inlet.

[0013] In some embodiments, a BOP hydraulic control system includes a blue central control pod, a yellow central control pod, and one or more spare functions that can supply fluid from or on behalf of either pod.

[0014] Independent and/or redundant control over BOP functions reduces downtime and increases safety. Embodiments of the present invention are compatible with a multitude of established systems and provides inexpensive redundancy for BOP system components. In another embodiment of the invention, control over the spare function is transparently integrated into an existing multiplex control system, allowing an operator to control the spare function using the existing control system.

[0015] The foregoing has outlined rather broadly the features and technical advantages of the present invention in order that the detailed description of the invention that

follows may be better understood. Additional features and advantages of the invention will be described hereinafter which form the subject of the present claims. It should be appreciated by those skilled in the art that the conception and specific embodiment disclosed may be readily utilized as a basis for modifying or designing other structures for carrying out the same purposes of the present apparatus. It should also be realized by those skilled in the art that such equivalent constructions do not depart from the scope of the invention as set forth in the appended claims. The novel features which are believed to be characteristic of the invention, both as to its organization and method of operation, together with further objects and advantages will be better understood from the following description, given by way of example, when considered in connection with the accompanying figures. It is to be expressly understood, however, that each of the figures is provided for the purpose of illustration and description only and is not intended as a defini-

tion of the limits of the present invention, which are defined by the appended claims.

BRIEF DESCRIPTION OF THE DRAWINGS

[0016] For a more complete understanding of the present invention, reference is now made to the following descriptions by way of example, taken in conjunction with the accompanying drawings, in which:

FIGURE 1 is a perspective view of a BOP apparatus, including a LMRP, incorporating an embodiment of the present invention;

FIGURE 2 is a schematic diagram of a subsea control system representing one embodiment of the present invention.

DETAILED DESCRIPTION OF THE INVENTION

[0017] As used herein, the use of the word "a" or "an" when used in conjunction with the term "comprising" (or the synonymous "having") in the claims and/or the specification may mean "one," but it is also consistent with the meaning of "one or more," "at least one," and "one or more than one." In addition, as used herein, the phrase "connected to" means joined to or placed into communication with, either directly or through intermediate components.

[0018] Referring to FIGURE 1, one embodiment of the present invention comprises an apparatus providing operational redundancy. In the embodiment shown in FIGURE 1, BOP system 1000 comprises BOP stack 1001, LMRP 1002, intervention panels 1003 and 1004, yellow pod 1005, and blue pod 1006. In typical operation, hydraulic fluid flows to a BOP function via a primary flow route that may include components such as, but not limited to, valves, pipes, hoses, seals, connections, and instrumentation. BOP control functions include, but are not limited to, the opening and closing of hydraulically operated pipe rams, annular seals, shear rams designed to cut the pipe, a series of remote operated valves to allow controlled flow of drilling fluids, a riser connector, and well re-entry equipment.

[0019] Failure or malfunction of any one of the components inside of control pod 1005 or 1006 that is not backed up as disclosed herein may require stopping drilling and servicing the control pod, which costs a lot of money. When a control component in the blue or yellow control pod, or elsewhere, malfunctions, the BOP function to which the control component corresponds will not respond to normal commands (for instance, an annular will not shut). Preexisting backups include the control pods, which are hard piped to the various BOP functions, which means that if one component in control pod 1005 or 1006 fails and must be repaired, the whole control pod or the LMRP must be disconnected and the control pod's control over BOP functions cease or is limited. As used here-

in, "hard piped" or "hard piping" or "rigidly connected" refers to piping, components, and associated connections that are permanent or not easily removed by an ROV. This is significant because rigidly connected components are more reliable. In addition, for safety and regulatory reasons, a drilling operation cannot or will not operate with only one working control pod. Thus, a failure of one component of one pod forces a drilling operation to stop. One embodiment of the present invention overcomes this problem in subsea drilling by providing selectable backup control for many BOP functions via spare functions integrated into the BOP.

[0020] In the event of a failure in the primary flow route, a backup flow route includes a spare function 1010, which can be any back-up or non-critical function that is rigidly connected to the BOP. The rigid, non-removable nature of spare function 1010 eliminates failure points and increases reliability. From spare function 1010, the fluid flows through components including hose 1009 and into an intervention panel, which is hard piped to the failed function as described below.

[0021] As shown, ROV 1007 is connecting hose 1009, including hot stab 1008 to an intervention panel 1004. Once hot stab 1008 is connected, regulated manifold pressurized hydraulic fluid is routed to the function corresponding to the stab location, allowing operational redundancy and avoiding downtime. ROV 1007 that deploys hose 1009 can connect it or disconnect it from intervention panel 1003 or 1004. ROV 1007 may be operated from the surface by a human operator, or it may be preprogrammed to perform specific connections or disconnections based on input from a multiplex control system.

[0022] Hose 1009 connects to the BOP function via a temporary connection to intervention plates 1003 or 1004, which temporary connections comprise commercially available stab connections, such as those having an external self-aligning hydraulic link that extends into a connection port and mates with its hydraulic circuit. Generally, a stab connection comprises a receiver or female portions and a stab or male portion, and either portion may be referred to generically as a stab connection.

[0023] In some embodiments, an electronic multiplex control system ("MUX") and an operator on the surface control and/or monitor BOP functions and hydraulic supply. In a simple sense, the MUX allows an operator to control BOP functions by the push of buttons or the like. For example the operator closes an annular by pressing a button or inputting an electronic command to signal the hydraulic system to close the annular. In some embodiments, the present apparatus is integrated into an existing multiplex system such that the initiation of backup hydraulic supply can be commanded by the push of a button. In addition, software can allow the switch between normal flow and backup flow to be transparent in that the operator pushes the same button to control a particular function whether normal or backup flow used.

[0024] FIGURE 2 shows an embodiment of the inven-

tion including control system 1100. In a standard operation, pressurized hydraulic fluid flows from surface via the riser in line 1101 through either control pod 1102 or 1103. Assuming flow through pod 1102 to control a BOP "open" function, the fluid flows through regulator 1104, through various equipment, then through line 1105 and valve 1106, to function 1107.

[0025] The embodiment of the present invention shown adds a layer of operational redundancy by providing an integrated source of hydraulic fluid from a spare function rigidly attached to the BOP via hot stab 1008, piping to an additional valve 1109, and piping from valve 1109 to a function. For example, in the event of a malfunction of the primary hydraulic route, hot stab 1008 could be connected to the intervention panel so that the fluid forces valve 1109 to shift and allows fluid to flow to BOP equipment 1107 providing a BOP function via associated hard piping. Valves 1106 and 1109 can be a variety of known valves, such as a shuttle valve.

[0026] The backup supply route preferably begins downstream of regulator 1104 and leads to valve 1110 rigidly attached to the BOP, which can be an isolation valve operable by an ROV, or another suitable valve to prevent flow through the backup route until needed. Flow through valve 1110 leads to valve 1111, which leads to hose 1009. Pilot hydraulic signals from spare outlets (or non-critical functions if no spares exist) such as hot spare 1112 can act as a hot spare and can be used to shift valve 1111 to supply regulated fluid through hose 1009 to stab 1008. In one embodiment, valve 1111 is a LMRP-mounted spare sub-plate mounted (SPM) valve piloted by a hot stab solenoid. Because all key components are rigidly fixed to the BOP apparatus, point failures are eliminated and a reliable source of operational redundancy is provided.

[0027] Thus, when a failure occurs, the ROV can route the flying lead hydraulic hot stab hose 1009 leading from spare source 1010 to the appropriate ROV input on the intervention panel 1003 or 1004 located on the LMRP or BOP stack. The hot stab now supplies the hydraulic output in place of the output from the failed pod circuit. The spare function on the BOP control panel on surface is then labeled with the function it now controls. Thus, full operational redundancy is provided, allowing continued operation of all functions.

[0028] As shown in FIGURE 2, the system can be provided with redundancy for both "blue" and "yellow" pods 1102 and 1103. Thus, valve 1113 complements valve 1110 and hot spare 1114 complements spare 1112; and, in both cases, a shuttle valve (1115 and 1116, respectively) or other suitable valve moderates flow as between the two complementary valves. Although not shown in detail, an additional hot spare package 1117, including hot spares and a valve complementary to valve 1111, can branch from the line downstream of valves 1110 and 1113 to operate second hot stab that would enter an intervention panel at stab location 1118, which has associated with it valve 1119 and 1120, which are similar to

valves 1106 and 1109, respectively. Additional hot spare packages can be added, each of which can be separately controlled from the surface.

[0029] For each function provided with operational redundancy via the intervention panel, a valve like valves 1109 and 1120 (and associated piping) will be utilized. Each valve can be connected to the intervention panel using ½" outer diameter piping, although other piping can be used. In one embodiment, the intervention panel and receptacles are constructed to API 17D specifications, though other configurations are within the scope of the invention as defined by the appended claims.

[0030] There does not, however, need to be a hot spare package for each BOP/LMRP function to be provided with redundancy, and the number of hot spare packages can be as few as one. This is because it is not generally the case that several BOP functions fail simultaneously, and thus one or two hot spare packages will often suffice.

[0031] Additionally, the intervention panels and associated valves and tubing or piping (e.g., valves 1109 and 1120) permit actuation of BOP functions when the BOP stack is on the surface, facilitating maintenance without having to make, break, or manipulate existing connections, which can lead to degradation and failure. An operator can simply stab a connection onto the appropriate receptor on the intervention panel and then test or otherwise perform maintenance on the associated function.

[0032] Thus, the system increases redundancy and eliminates intrusive maintenance activities. The modification involves the installation of a minimal amount of hardware on the subsea BOP stack to allow continued operation (via additional BOP control redundancy) even after failure of a major BOP control function. While any number of functions can be provided with redundancy, the best candidates for such redundancy can be identified by an analysis of potential single-point failures. Additionally, the added hardware will allow for actuation of BOP functions when the BOP stack is on the surface, facilitating maintenance without having to interrupt existing connections. This additional feature facilitates maintenance on the surface and reduces the likelihood of experiencing a maintenance-induced failure.

[0033] Although the present apparatus and its advantages have been described in detail, it should be understood that various changes, substitutions and alterations can be made herein without departing from the scope of the invention as defined by the appended claims. Moreover, the scope of the present application is not intended to be limited to the particular embodiments of the process, machine, manufacture, composition of matter, means, methods and steps described in the specification. As one of ordinary skill in the art will readily appreciate from the disclosure of the present invention, processes, machines, manufacture, compositions of matter, means, methods, or steps, presently existing or later to be developed that perform substantially the same function or achieve substantially the same result as the corresponding embodiments described herein may be utilized. Ac-

cordingly, the appended claims are intended to include within their scope such processes, machines, manufacture, compositions of matter, means, methods, or steps.

Claims

1. A BOP fluid supply apparatus, comprising:
 - a main source of hydraulic fluid;
 - a BOP stack (1001) capable of providing a BOP function (1107);
 - a primary fluid flow route (1105) from the main source of hydraulic fluid, through a primary component (1102) for assisting in operating the BOP function (1107), through a first valve (1106), through a second valve (1109), and then to the BOP equipment; and
 - a secondary fluid flow route from the main source of hydraulic fluid, through an isolation valve (1110) rigidly fixed to the BOP, through a pilot-operated hot spare valve (1111) rigidly fixed to the BOP, through a hose (1009) removably connected to an intervention panel (1003), through the second valve (1109), and to the BOP equipment, wherein the secondary fluid flow route bypasses the primary component (1102) for assisting in operating the BOP function (1107) and the first valve (1106) and provides for hydraulic fluid to operate the BOP function (1107).
2. The apparatus of claim 1, wherein the primary and secondary fluid flow routes pass through a regulator (1104).
3. The apparatus of claim 1 or 2, wherein the secondary fluid flow route allows operational redundancy of the BOP function (1107).
4. The apparatus of any preceding claim, wherein the pilot-operated valve (1111) is controllable at a surface station and is arranged for obtaining hydraulic fluid for pilot operation from a hot spare source (1112; 1114) on the BOP.
5. The apparatus of claim 4, further comprising an electronic multiplex system at the surface station that can be programmed to control the primary and secondary fluid flow routes.
6. The apparatus of any preceding claim, wherein the intervention panel comprises a plurality of connection ports for operating a corresponding plurality of BOP function (1107) of the BOP equipment.
7. The apparatus of any preceding claim, wherein the first and second valves (1106, 1109) are shuttle

valves and the pilot-operated valve (1111) is an SPM solenoid-operated valve.

8. The apparatus of any preceding claim, wherein the isolation valve (1110) can be operated by an ROV (1007).
9. The apparatus of any preceding claim, wherein the primary fluid flow route enters the second valve through a primary inlet and the secondary fluid flow route enters the second valve through a secondary inlet.
10. The apparatus of any preceding claim, wherein the primary fluid flow route comprises a blue pod primary fluid flow route and the secondary fluid flow route comprises a blue pod secondary fluid flow route; and further comprising:

a yellow pod primary fluid flow route from the main source of hydraulic fluid, through a yellow pod primary component (1103) for assisting in operating the BOP function (1107), through a first valve (1119), through a second valve (1120), and then to the BOP equipment; and a yellow pod secondary fluid flow route from the main source of hydraulic fluid, through a yellow pod isolation valve (1113) rigidly fixed to the BOP, through a shuttle valve (1115) connected to the blue pod isolation valve (1110), through the pilot-operated valve (1111), through the hose (1109) connected to the intervention panel, through the second valve (1109), and to the BOP equipment, wherein the yellow pod secondary fluid flow route bypasses the yellow pod primary component for assisting in operating the BOP function (1107) and the first valve (1106).

Patentansprüche

1. BOP-Fluidzuleitungseinrichtung, umfassend:

eine Hauptquelle von Hydraulikfluid;
einen BOP-Stapel (1001), der imstande ist, eine BOP-Funktion (1107) bereitzustellen;
eine primäre Fluidströmungsrouten (1105) von der Hauptquelle von Hydraulikfluid durch eine primäre Komponente (1102) zur Unterstützung beim Betreiben der BOP-Funktion (1107), durch ein erstes Ventil (1106), durch ein zweites Ventil (1109) und dann zur BOP-Ausrüstung; und
eine sekundäre Fluidströmungsrouten von der Hauptquelle von Hydraulikfluid durch ein Isolierungsventil (1110), das starr an dem BOP fixiert ist, durch ein pilotbetätigtes, Heiße-Redundanzventil (1111), das starr an dem BOP fixiert ist, durch einen Schlauch (1009), der lösbar mit ei-

ner Interventionsplatte (1003) verbunden ist, durch das zweite Ventil (1109) und zur BOP-Ausrüstung, wobei die sekundäre Fluidströmungsrouten die primäre Komponente (1102) zur Unterstützung beim Betreiben der BOP-Funktion (1107) und das erste Ventil (1106) umgeht und Hydraulikfluid zum Betreiben der BOP-Funktion (1107) bereitstellt.

2. Einrichtung nach Anspruch 1, wobei die primäre und sekundäre Fluidströmungsrouten durch einen Regler (1104) gehen.
3. Einrichtung nach Anspruch 1 oder 2, wobei die sekundäre Fluidströmungsrouten eine betriebliche Redundanz der BOP-Funktion (1107) erlaubt.
4. Einrichtung nach einem der vorstehenden Ansprüche, wobei das pilotbetätigte Ventil (1111) an einer Oberflächenstation steuerbar ist und angeordnet ist, Hydraulikfluid für einen Pilotbetrieb von einer Heiße-Redundanzquelle (1112; 1114) auf dem BOP zu erhalten.
5. Einrichtung nach Anspruch 4, weiter umfassend ein elektronisches Multiplexsystem an der Oberflächenstation, das programmiert werden kann, um die primäre und sekundäre Fluidströmungsrouten zu steuern.
6. Einrichtung nach einem der vorstehenden Ansprüche, wobei die Interventionsplatte eine Vielzahl von Verbindungsanschlüssen umfasst, um eine entsprechende Vielzahl von BOP-Funktionen (1107) der BOP-Ausrüstung zu betreiben.
7. Einrichtung nach einem der vorstehenden Ansprüche, wobei das erste und zweite Ventil (1106, 1109) Wechselventile sind und das pilotbetätigte Ventil (1111) ein solenoidbetätigtes SPM-Ventil ist.
8. Einrichtung nach einem der vorstehenden Ansprüche, wobei das Isolierungsventil (1110) durch ein ROV (1007) betätigt werden kann.
9. Einrichtung nach einem der vorstehenden Ansprüche, wobei die primäre Fluidströmungsrouten in das zweite Ventil durch einen primären Einlass eintritt und die sekundäre Fluidströmungsrouten in das zweite Ventil durch einen sekundären Einlass eintritt.
10. Einrichtung nach einem der vorstehenden Ansprüche, wobei die primäre Fluidströmungsrouten eine primäre Blue-Pod-Fluidströmungsrouten umfasst und die sekundäre Fluidströmungsrouten eine sekundäre Blue-Pod-Fluidströmungsrouten umfasst; und weiter umfassend:

eine primäre Yellow-Pod-Fluidströmungsrouten von der Hauptquelle von Hydraulikfluid durch eine primäre Yellow-Pod-Komponente (1103) zur Unterstützung beim Betreiben der BOP-Funktion (1107), durch ein erstes Ventil (1119), durch ein zweites Ventil (1120) und dann zur BOP-Ausrüstung; und

eine sekundäre Yellow-Pod-Fluidströmungsrouten von der Hauptquelle von Hydraulikfluid durch ein Yellow-Pod-Isolierungsventil (1113), das starr an dem BOP fixiert ist, durch ein Wechselventil (1115), das mit dem Blue-Pod-Isolierungsventil (1110) verbunden ist, durch das pilotbetätigte Ventil (1111), durch den Schlauch (1109), der mit der Interventionsplatte verbunden ist, durch das zweite Ventil (1109) und zur BOP-Ausrüstung, wobei die sekundäre Yellow-Pod-Fluidströmungsrouten die primäre Yellow-Pod-Komponente zur Unterstützung beim Betreiben der BOP-Funktion (1107) und das erste Ventil (1106) umgeht.

Revendications

1. Appareil d'alimentation en fluide BOP, comprenant :

une source principale de fluide hydraulique ;
 un bloc obturateur de puits (1001) capable de fournir une fonction de BOP (1107) ;
 un trajet d'écoulement de fluide primaire (1105) depuis la source principale de fluide hydraulique, à travers un composant primaire (1102) pour assister le fonctionnement de la fonction de BOP (1107), à travers une première soupape (1106), à travers une deuxième soupape (1109), et ensuite vers le matériel de BOP ; et
 un trajet d'écoulement de fluide secondaire depuis la source principale de fluide hydraulique, à travers une soupape d'isolation (1110) rigidement fixée au BOP, à travers une soupape de recharge à chaud pilotée (1111) rigidement fixée au BOP, à travers un tuyau (1009) raccordé de manière amovible à un panneau d'intervention (1003), à travers la deuxième soupape (1109), et vers le matériel de BOP, dans lequel le trajet d'écoulement de fluide secondaire contourne le composant primaire (1102) pour assister le fonctionnement de la fonction de BOP (1107) et de la première soupape (1106) et fournit au fluide hydraulique pour faire fonctionner la fonction de BOP (1107).

2. Appareil selon la revendication 1, dans lequel les trajets d'écoulement de fluide primaire et secondaire passent à travers un régulateur (1104).

3. Appareil selon la revendication 1 ou 2, dans lequel

le trajet d'écoulement de fluide secondaire permet une redondance opérationnelle de la fonction de BOP (1107).

4. Appareil selon l'une quelconque des revendications précédentes, dans lequel la soupape pilotée (1111) peut être commandée au niveau d'une station de surface et est agencée pour obtenir un fluide hydraulique pour le fonctionnement piloté depuis une source de recharge à chaud (1112 ; 1114) sur le BOP.

5. Appareil selon la revendication 4, comprenant en outre un système électronique multiplex au niveau de la station de surface qui peut être programmé pour commander les trajets d'écoulement de fluide primaire et secondaire.

6. Appareil selon l'une quelconque des revendications précédentes, dans lequel le panneau d'intervention comprend une pluralité d'orifices de raccordement pour faire fonctionner une pluralité correspondante de fonctions de BOP (1107) du matériel de BOP.

7. Appareil selon l'une quelconque des revendications précédentes, dans lequel les première et deuxième soupapes (1106, 1109) sont des soupapes sélectrices et la soupape pilotée (1111) est une soupape actionnée par solénoïde montée sur embase.

8. Appareil selon l'une quelconque des revendications précédentes, dans lequel la soupape d'isolation (1110) peut être actionnée par un véhicule télécommandé (1007).

9. Appareil selon l'une quelconque des revendications précédentes, dans lequel le trajet d'écoulement de fluide primaire entre dans la deuxième soupape à travers une entrée primaire et le trajet d'écoulement de fluide secondaire entre dans la deuxième soupape à travers une entrée secondaire.

10. Appareil selon l'une quelconque des revendications précédentes, dans lequel le trajet d'écoulement de fluide primaire comprend un trajet d'écoulement de fluide primaire à réservoir bleu et le trajet d'écoulement de fluide secondaire comprend un trajet d'écoulement de fluide secondaire à réservoir bleu ; et comprenant en outre :

un trajet d'écoulement de fluide primaire à réservoir jaune depuis la source principale de fluide hydraulique, à travers un composant primaire à réservoir jaune (1103) pour assister le fonctionnement de la fonction de BOP (1107), à travers une première soupape (1119), à travers une deuxième soupape (1120), et ensuite vers le matériel de BOP ; et
 un trajet d'écoulement de fluide secondaire à

réservoir jaune depuis la source principale de fluide hydraulique, à travers une soupape d'isolation à réservoir jaune (1113) rigidement fixée au BOP, à travers une soupape sélectrice (1115) raccordée à la soupape d'isolation à réservoir bleu (1110), à travers la soupape pilotée (1111), à travers le tuyau (1109) raccordé au panneau d'intervention, à travers la deuxième soupape (1109), et vers le matériel de BOP, dans lequel le trajet d'écoulement de fluide secondaire à réservoir jaune contourne le composant primaire à réservoir jaune pour assister le fonctionnement de la fonction de BOP (1107) et la première soupape (1106).

5

10

15

20

25

30

35

40

45

50

55

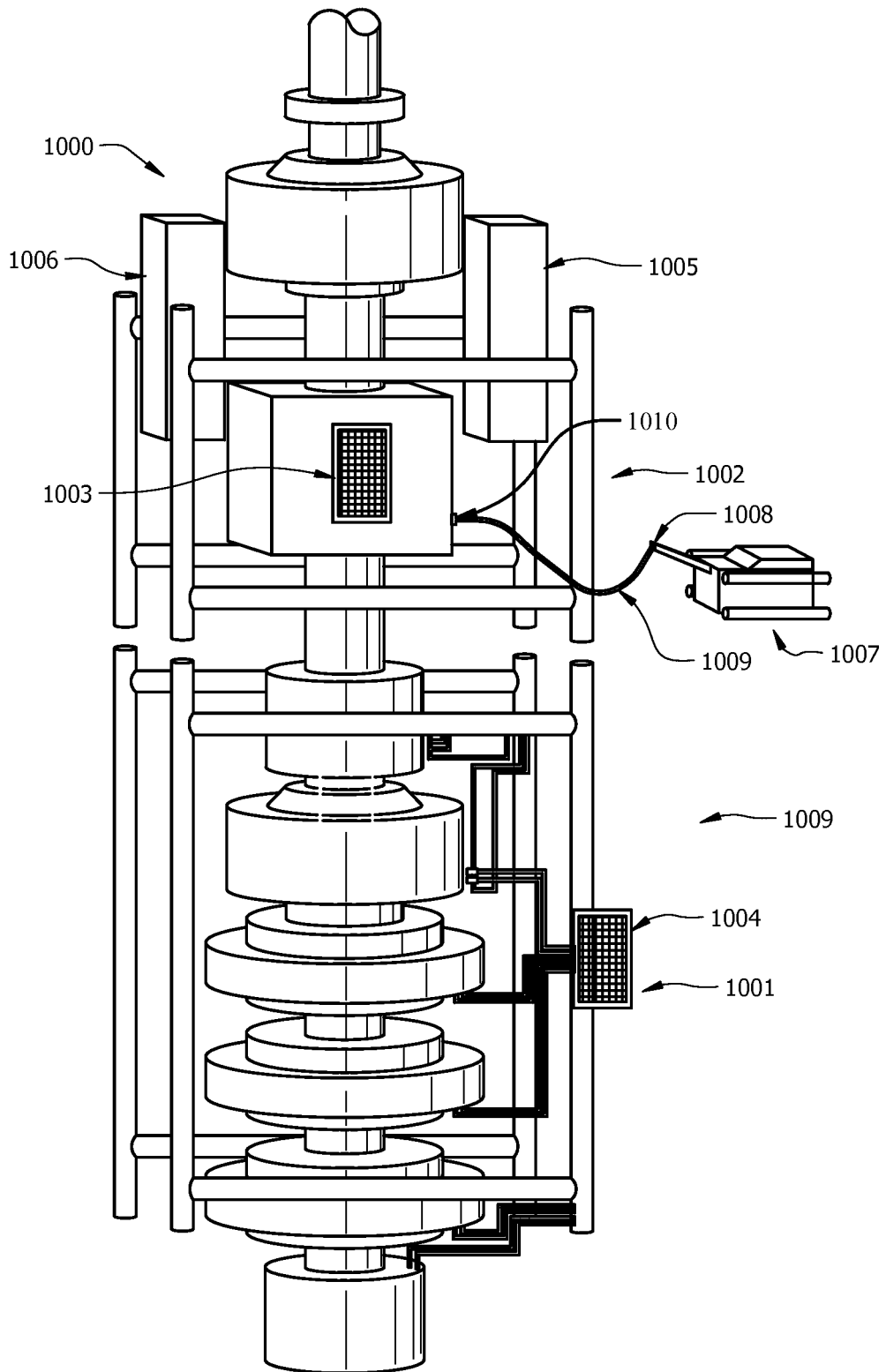


FIG. 1

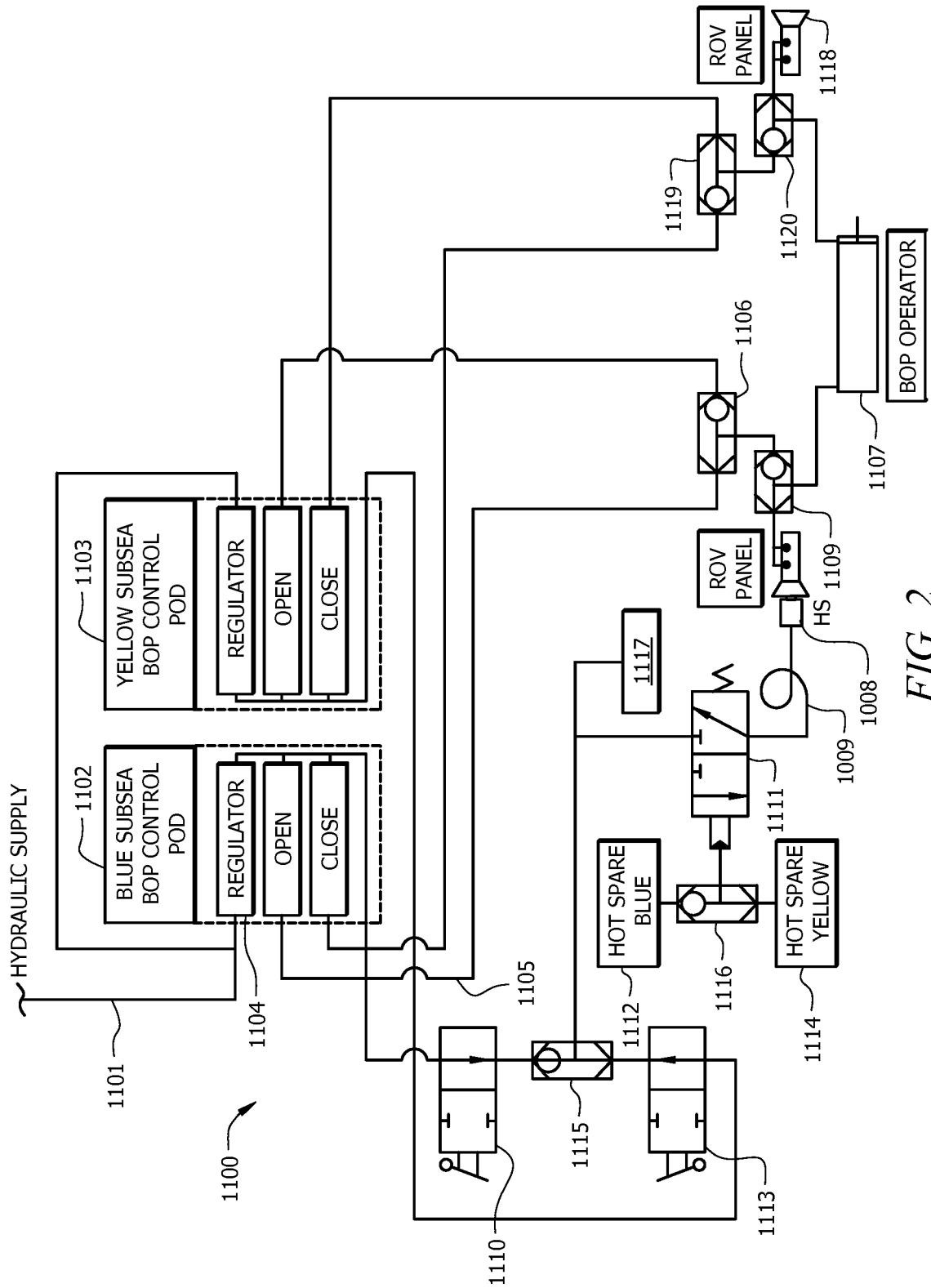


FIG. 2

REFERENCES CITED IN THE DESCRIPTION

This list of references cited by the applicant is for the reader's convenience only. It does not form part of the European patent document. Even though great care has been taken in compiling the references, errors or omissions cannot be excluded and the EPO disclaims all liability in this regard.

Patent documents cited in the description

- US 97433907 P [0001]
- US 2007107904 A1 [0009]