

(19)



(11)

**EP 2 948 506 B1**

(12)

**EUROPEAN PATENT SPECIFICATION**

(45) Date of publication and mention of the grant of the patent:  
**14.08.2019 Bulletin 2019/33**

(51) Int Cl.:  
**C08L 63/00** (2006.01)      **C08L 33/08** (2006.01)  
**C08L 33/10** (2006.01)      **C08G 59/40** (2006.01)  
**H01L 21/56** (2006.01)      **H01L 23/29** (2006.01)

(21) Application number: **13872817.5**

(86) International application number:  
**PCT/CN2013/070873**

(22) Date of filing: **23.01.2013**

(87) International publication number:  
**WO 2014/113931 (31.07.2014 Gazette 2014/31)**

**(54) UNDERFILL COMPOSITION AND PACKAGING PROCESS USING THE SAME**

UNTERFÜLLUNGSZUSAMMENSETZUNG UND VERPACKUNGSVERFAHREN DAMIT

COMPOSITION DE MATIÈRE DE REMPLISSAGE ENTRE COMPOSANTS EMPILÉS ET PROCÉDÉ D'ENCAPSULATION FAISANT INTERVENIR CELLE-CI

(84) Designated Contracting States:  
**AL AT BE BG CH CY CZ DE DK EE ES FI FR GB GR HR HU IE IS IT LI LT LU LV MC MK MT NL NO PL PT RO RS SE SI SK SM TR**

- **ENGLAND, Jiong**  
**Orange, California 92865 (US)**
- **GLEESON, Paul J.**  
**Torrance, California 90501 (US)**
- **HE, Renfei**  
**Shanghai 201315 (CN)**

(43) Date of publication of application:  
**02.12.2015 Bulletin 2015/49**

(56) References cited:  
**WO-A1-2005/056675**      **WO-A1-2007/050611**  
**CN-A- 102 010 686**      **US-A1- 2003 131 937**  
**US-A1- 2006 100 299**      **US-A1- 2009 075 429**

(73) Proprietors:  
 • **Henkel IP & Holding GmbH**  
**40589 Düsseldorf (DE)**  
 • **Henkel AG & Co. KGaA**  
**40589 Düsseldorf (DE)**

- **Ciba: "Photoinitiators for UV Curing Key Products Selection Guide 2003 Ciba Specialty Chemicals Coating Effects", , 1 January 2003 (2003-01-01), XP055287094, Retrieved from the Internet:  
URL:[https://people.rit.edu/deemc/reference\\_13/Imprint/Photoinitiators for UV curing.pdf](https://people.rit.edu/deemc/reference_13/Imprint/Photoinitiators%20for%20UV%20curing.pdf)  
[retrieved on 2016-07-08]**

(72) Inventors:  
 • **HU, Xiaolong**  
**Shanghai 201200 (CN)**  
 • **Wyatt, Derek**  
**Mission Viejo, California 92692 (US)**

**EP 2 948 506 B1**

Note: Within nine months of the publication of the mention of the grant of the European patent in the European Patent Bulletin, any person may give notice to the European Patent Office of opposition to that patent, in accordance with the Implementing Regulations. Notice of opposition shall not be deemed to have been filed until the opposition fee has been paid. (Art. 99(1) European Patent Convention).

**Description**

**[0001]** The present invention relates to an underfill composition, especially, a one part liquid underfill composition, and to a packaging process using the underfill composition.

**BACKGROUND ARTS**

**[0002]** With the development of hand-held electronic devices like smart phone and tablet, such devices become increasingly thinner but with more and more functions, which makes Printed Circuit Board (PCB) design more and more complicated. Thousands of components including packages like CSPs (chip size or chip scale packages), BGAs (ball grid arrays), LGAs (land grid arrays) and POPs (package on packages), and elements like resistors, capacitors and so on are integrated on a small PCB. Generally, CSP/BGA packages are surrounded by lots of elements. Some of such elements are very sensitive, and contamination by underfill adhesives may cause quality issues.

**[0003]** Underfill compositions (also referred as underfill adhesives) are widely used on integrated circuit boards of hand-held electronic devices to improve so called "drop-test" performance and to absorb some of the stress of thermal cycling. Underfill adhesives can flow under CSP/BGA packages with or without board preheating to fill the gap between the package and the PCB by capillary action and form fillet around the package. Then the liquid underfill adhesives become crosslinked solids via heat cure; accordingly provide protection to solder joints. These underfills are known from US2009/0075429.

**[0004]** Generally, underfill adhesives are based on epoxy resins, and additionally contain a latent epoxy curing agent (such as anhydrides, amines, imidazoles, thiols and the like), an accelerator, an active diluent, and other additives (such as wetting agents, adhesion promoters, defoamers and the like). **Figure 1** shows a typical viscosity - temperature profile of a traditional heat curable underfill adhesive. With temperature rising, the viscosity of the underfill adhesive initially reduces and then increases dramatically after the occurrence of curing reaction. Based on this property, a preheating step can be employed to quicken the flow speed of underfill adhesives when their viscosities are too high. However, this property also causes difficulty in controlling the accuracy of the underfill flow during the heat cure. Underfill adhesives may flow out at an elevated temperature and contaminate some resistors and capacitors around the packages, accordingly lead to quality issues.

**[0005]** In order to increase manufacturing throughput and reduce cost, low viscosity underfill adhesives are used widely in the industry (see, e.g., US2003/0131937). Such low viscosity underfill adhesives flow fast at room temperature, and thus greatly reduce flow time and dispense with the board preheating step, accordingly increase throughput and reduce the process cost. However, the use of such low viscosity underfill adhesives causes a big challenge to accurately control underfill flow. Contamination issue cannot be avoided even with a very accurate control of adhesive volume.

**[0006]** Higher viscosity underfill adhesives have a lower flow speed and can be used to avoid such overflow problems in some degree. However, the manufacturing throughput is reduced therewith.

**[0007]** US2002/128353 and US2004/087681 describe a fluxing no-flow underfill adhesive respectively. Such no-flow underfill adhesive contains an epoxy resin, a hardener and a fluxing agent (an organic acid), and can be cured with a reflow soldering process with or without a post cure. The no-flow property can help to effectively control the flow speed of underfill adhesives. However such no-flow underfill technology has a very narrow reflow operation window to balance soldering and the underfill cure process. It's very difficult to use such no-flow materials in the complicated surface mounting process.

**[0008]** Therefore, there is still a need for underfill compositions which have a low viscosity ensuring a high manufacturing throughput and the flow of which under the packages can be accurately controlled so as not to over flow and not to contaminate the elements surrounding the packages.

**SUMMARY OF THE INVENTION**

**[0009]** To solve the problems mentioned above, it is one object of the present invention to provide a one part liquid underfill composition according to claim 1.

**[0010]** In an embodiment of the present invention, the underfill composition comprises about 10 wt% to about 90 wt%, preferably about 30 wt% to about 80 wt%, more preferably about 45 wt% to about 65 wt% of the epoxy resin based on the total composition.

**[0011]** In the present invention, the epoxy resin comprises at least one multifunctional epoxy resin, together with one or more monofunctional epoxy resins.

**[0012]** In the present invention, the multifunctional epoxy resin is included in an amount within the range 40 wt% to about 95 wt%, more preferably about 60 wt% to about 95 wt%, of the total epoxy resin.

**[0013]** In an embodiment of the present invention, the multifunctional epoxy resin is selected from the group consisting of bisphenol-A epoxy resins, bisphenol-F epoxy resins, novolac epoxy resins, 2,6-diglycidylphenyl glycidyl ether, naph-

thalene epoxy resins, cycloaliphatic epoxy resins, polyepoxy compounds based on aromatic amines and epichlorohydrin, polyglycidyl derivatives of phenolic compounds, polyepoxides prepared from polyols, polybutadiene and the like, polyglycidyl derivatives of phenol-formaldehyde novolacs, and polyglycidyl adducts of amines, aminoalcohols and polycarboxylic acids.

5 **[0014]** In an example useful for understanding the invention, the monofunctional epoxy resin has a viscosity of less than about 300cps at 25 °C.

**[0015]** In an embodiment of the present invention, the monofunctional epoxy resin is selected from the group consisting of p-tert-butyl phenyl glycidyl ether, cresyl glycidyl ether, neodecanoic acid glycidyl ether, alkyl C12-C14 glycidyl ether, butyl glycidyl ether, 2-ethylhexyl glycidyl ether, and nonylphenyl glycidyl ether.

10 **[0016]** In an embodiment of the present invention, the underfill composition comprises about 0.5 wt% to about 50 wt%, preferably about 10 wt% to about 40 wt% of the latent epoxy curing agent based on the total composition.

**[0017]** In an embodiment of the present invention, the latent epoxy curing agent may be present in an amount of from about 0.1 to about 50 parts by weight, preferably from 0.5 to 30 parts by weight, preferably from 0.5 to 20 parts by weight per 100 parts by weight of the epoxy resin.

15 **[0018]** In an embodiment of the present invention, the underfill composition comprises about 0.1 wt% to about 50 wt%, preferably 10 wt% to about 30 wt% of the photocurable resin or monomer based on the total composition.

**[0019]** In an embodiment of the present invention, the photocurable resin or monomer is selected from the group consisting of (methyl)acrylate monomers or oligomers, vinyl ethers, and photocurable epoxy resins.

20 **[0020]** In an embodiment of the present invention, the underfill composition comprises about 0.2 wt% to about 10 wt%, preferably about 1 wt% to about 6 wt%, more preferably about 3 wt% to about 5 wt%, of the photoinitiator based on the total composition.

**[0021]** In an embodiment of the present invention, the photoinitiator may be present in an amount of from about 0.1 to about 5 parts by weight, preferably from about 0.2 to about 4 parts by weight per 100 parts by weight of the photocurable resin or monomer.

25 **[0022]** In an embodiment of the present invention, the photoinitiator can be activated in a wavelength range of from about 250 nm to 850 nm, preferably from about 300 nm to 450 nm, more preferably from about 300 nm to 400 nm.

**[0023]** In an embodiment of the present invention, the photoinitiator can be cationic-type photoinitiators and free-radical-type photoinitiators, especially, selected from the group consisting of benzophenone, acetophenone, chlorinated acetophenone, dialkoxyacetophenones, dialkylhydroxyacetophenones, dialkylhydroxyacetophenone esters, benzoin, benzoin acetate, benzoin alkyl ethers, dimethoxybenzoin, dibenzylketone, benzoylcyclohexanol and other aromatic ketones, acyloxime esters, acylphosphine oxides, acylphosphosphonates, ketosulfides, dibenzoyldisulphides, diphenyldithiocarbonate, diphenyl(2,4,6-trimethylbenzoyl) phosphine oxide, phosphonium salts, sulfonium salts, and iodonium salts.

30 **[0024]** In an embodiment of the present invention, the underfill composition comprises 0 wt.% to about 5 wt.% of the thermal initiator based on the total composition.

**[0025]** In an embodiment of the present invention, the thermal initiator may be present in an amount of from about 0.1 to about 5 parts by weight, preferably from about 0.2 to about 4 parts by weight per 100 parts by weight of the photocurable resin or monomer.

35 **[0026]** In an embodiment of the present invention, the thermal initiator is selected from peroxides and azo-compounds, especially, from the group consisting of di(4-tert-butylcyclohexyl) peroxydicarbonate, tert-butyl peroxyneodecanoate, tert-butyl peroxy-pivalate, dilauroyl peroxide, 2,2'-azodi(isobutyronitrile), 2,5-dimethyl-2,5-di(2-ethylhexanoylperoxy)-hexane, and tert-butyl peroxy-2-ethylhexanoate, tert-butyl peroxybenzoate.

**[0027]** In an example useful for understanding the invention, the underfill composition comprises 0 wt% to about 60 wt% of the filler based on the total composition.

40 **[0028]** In an example useful for understanding the invention, the filler is selected from the group consisting of alumina, silica and magnesia, especially, with a spherical shape, particularly, having an average particle size of from 1 nm to 20 μm, preferably from 5 nm to 10 μm.

**[0029]** In an example useful for understanding the invention, the underfill composition has a viscosity ranging from 50 mPa.s to 10000 mPa.s, preferably 100-5000 mPa.s, more preferably 150-1500 mPa.s.

45 **[0030]** It is another object of the present invention to provide a packaging process according to claim 11 using the underfill composition of the present invention. The packaging process of the present invention can accurately control the underfill flow without sacrifice of throughput. The packaging process of the present invention comprises the steps of:

- 55
- a) providing an assembly of a package and a circuit board;
  - b) dispensing the underfill composition;
  - c) the underfill composition flowing by capillary action to fill the gap between the package and the circuit board with or without board preheating, and forming fillet;
  - d) partially or fully curing the fillet by exposure to a UV light and/or a visible light; and

e) completely curing the uncured underfill composition by heat.

[0031] In the present invention, the package comprises CSP, BGA, LGA, and POP.

[0032] In an embodiment of the present invention, the intensity of the light in step d) is from 30 mJ/cm<sup>2</sup> to 4000 mJ/cm<sup>2</sup>, preferably from 100 mJ/cm<sup>2</sup> to 3000 mJ/cm<sup>2</sup>.

[0033] In an embodiment of the present invention, the light has a wavelength within the range of 250 nm to 850 nm, preferably of 300 nm to 450 nm, more preferably of 300 nm to 400 nm.

[0034] In an embodiment of the present invention, the heat cure step e) can be conducted at a temperature in the range of 60 °C to 250°C, preferably of 70 °C to 200 °C, more preferably of 80 °C to 160 °C.

[0035] In an embodiment of the present invention, the circuit board is not preheated.

[0036] The underfill composition of the present invention has the following advantages: 1) it shows a good flow performance with or without board preheating and can fill the gap between a package and a circuit board quickly and form fillet; 2) the fillet can be partially or fully cured under exposure to a UV or visible light so as to prevent the underfill from flowing out during the subsequent heat cure; and 3) After photocure, the uncured underfill composition can be fully cured by heat so as to provide support on solder joints.

[0037] The packaging process using the underfill composition of the present invention can provide accurate control on the underfill flow and hence no adhesive contamination on the elements surrounding the package while ensuring the throughput.

## BRIEF DESCRIPTION OF THE DRAWINGS

[0038]

Figure 1 shows a typical viscosity - temperature profile of a one part heat curable epoxy adhesive of the prior art.

Figure 2 schematically shows the packaging process using the underfill composition of the present invention.

Figure 3 schematically shows a device for testing the flow time of the underfill composition.

Figure 4 schematically shows a system for testing the flow distance of the fillet.

Figure 5 schematically shows a system for testing the capacitor contamination.

## DETAILED DESCRIPTION OF THE INVENTION

[0039] The present invention will be described in details as followings. The materials, methods, and examples herein are illustrative only and, except as specifically stated, are not intended to be limiting. Although methods and materials similar or equivalent to those described herein can be used in the practice or testing of the present invention, suitable methods and materials are described herein.

[0040] All publications and other references mentioned herein are explicitly incorporated by reference therein in their entirety.

[0041] Unless otherwise defined, all technical and scientific terms used herein have the same meanings as commonly understood by those skilled in the art. In case of conflict, the present specification, including definitions, will control.

[0042] Unless stated otherwise, all percentages, parts, ratios, etc., are by weight.

[0043] When an amount, concentration, or other value or parameter is given as either a range, preferred range or a list of upper preferable values and lower preferable values, this is to be understood as specifically disclosing all ranges formed from any pair of any upper range limit or preferred value and any lower range limit or preferred value, regardless of whether ranges are separately disclosed. Where a range of numerical values are recited herein, unless otherwise stated, the range is intended to include the endpoints thereof, and all integers and fractions with range. It is not intended that the scope of the present invention be limited to the specific values recited when defining a range.

[0044] Use of "a" or "an" is employed to describe elements and components of the present invention. This is done merely for convenience and to give a general sense of the invention. This description should be read to include one or at least one and the singular also includes the plural unless it is obvious that it is meant otherwise.

### Underfill composition

[0045] In one aspect of the present invention, provided is a one part liquid underfill composition, which comprises: an epoxy resin, a latent epoxy curing agent, a photocurable resin or monomer, a photoinitiator, an optional filler, and an optional thermal initiator. Each of these components will be described in detail as followings.

Epoxy resin

**[0046]** Epoxy resins that can be used in the underfill composition of the present invention are curable compounds and capable of polymerization. As used herein, to cure means to polymerize, with cross-linking. Cross-linking, as understood in the art, is the attachment of two-polymer chains by bridges of an element, a molecular group, or a compound, and in general takes place upon heating.

**[0047]** The term "epoxy resin" used herein comprises monofunctional epoxy resin and multifunctional epoxy resin. The term "multifunctional epoxy resin" intends to include those epoxy resins comprising more than one epoxy groups in the molecular chain. The term "monofunctional epoxy resin" intends to include those epoxy resins comprising one epoxy group in the molecular chain.

**[0048]** In the present invention, the underfill composition may comprise about 10 wt.% to about 90 wt.%, preferably about 30 wt.% to about 80 wt.%, more preferably about 45 wt.% to about 65 wt.% of the epoxy resin based on the total composition.

**[0049]** Any common epoxy resins can be used in the underfill composition of the present invention either alone or in combination.

**[0050]** In the present invention, the epoxy resin comprises at least one multifunctional epoxy resin, together with one or more monofunctional epoxy resins. The multifunctional epoxy resin is included in an amount within the range of 40 wt.% to 95 wt.% of the total epoxy resin.

**[0051]** The multifunctional epoxy resins can be used in the present invention include generally, but not limited to, bisphenol-A epoxy resins (such as Epiclon 850s and Epiclon 850CRP from DIC, Japan; DER332 from Dow Chemical, U.S.; RE-310S from Nippon Kayaku, Japan), bisphenol-F epoxy resins (such as Epiclon 830CRP from DIC; RE-404S from Nippon Kayaku), novolac epoxy resins (such as Epikote 152 from Dow Chemical Co., U.S.), 2,6-diglycidylphenyl glycidyl ether, naphthalene epoxy resins and cycloaliphatic epoxy resins (such as Celloxide 2021P and Celloxide 2081 from Daicel, Japan).

**[0052]** Other suitable multifunctional epoxy resins include polyepoxy compounds based on aromatic amines and epichlorohydrin, such as N,N,N',N'-tetraglycidyl-4,4'-diaminodiphenyl methane; N-diglycidyl-4-aminophenyl glycidyl ether; and N,N,N',N'-tetraglycidyl-1,3-propylene bis-4-aminobenzoate.

**[0053]** The multifunctional epoxy resins suitable for use herein also include polyglycidyl derivatives of phenolic compounds, such as those available commercially under the tradename EPON, such as EPON 828, EPON 1001, EPON 1009, and EPON 1031 from Momentive, U.S.; DER 331, DER 332, DER 334, and DER 542 from Dow Chemical; and BREN-S from Nippon Kayaku.

**[0054]** Other multifunctional suitable epoxy resins include polyepoxides prepared from polyols, polybutadiene and the like and polyglycidyl derivatives of phenol-formaldehyde novolacs. Commercialized polyepoxides prepared from polyols include DER732, DER736 from Dow chemical. Commercialized polybutadiene epoxy resins include Epolead PB3600 and PB4700 from Daicel. Examples of commercialized novolac epoxy resins include DEN 431, DEN 438, and DEN 439 from Dow Chemical. Cresol analogs are also available commercially under the tradename ARALDITE, such as ARALDITE ECN 1235, ARALDITE ECN 1273, and ARALDITE ECN 1299 from Huntsman, U.S.. SU-8 is a bisphenol-A-type epoxy novolac available from Momentive. Polyglycidyl adducts of amines, aminoalcohols and polycarboxylic acids are also useful in this invention, commercially available resins of which include GLYAMINE 135, GLYAMINE 125, and GLYAMINE 115 from F.I.C. Corporation; ARALDITE MY-720, ARALDITE 0500, and ARALDITE 0510 from Huntsman.

**[0055]** The monofunctional epoxy resin is used herein as a reactive diluent to adjust the viscosity of the epoxy resin. Appropriate monofunctional epoxy diluents for use herein include those having a viscosity lower than that of the above-mentioned multifunctional epoxy resins, ordinarily, less than about 300 cps at 25 °C. Examples of such monofunctional epoxy resin are p-tert-butyl phenyl glycidyl ether (such as Heloxy Modifier 65 from Momentive, GE-11 from CVC), cresyl glycidyl ether (such as Heloxy Modifier 62 from Momentive), neodecanoic acid glycidyl ether (such as Cardura N10 from Momentive), alkyl C12-C14 glycidyl ether, butyl glycidyl ether, 2-ethylhexyl glycidyl ether, nonylphenyl glycidyl ether.

Latent epoxy curing agent

**[0056]** The underfill composition of the present invention includes at least one latent epoxy curing agent capable of catalyzing the polymerization of the epoxy resin once a triggering event occurs, such as a certain temperature is reached. The Latent epoxy curing agent used herein is stable at a lower temperature such as room temperature and can be activated at a high temperature, typically at a temperature above 50 °C.

**[0057]** Any common latent epoxy curing agents used in the art can be used in the present invention without special limitations. For example, suitable latent epoxy curing agents used herein are described in US4,546,155, US7,226,976, US4,833,226, JP2008214567, GB1,121,196, and US5,077,376, the disclosures of which are hereby expressly incorporated herein in their entireties by reference.

**[0058]** Examples of commercially available latent epoxy curing agents include Amicure PN-23, PN-40, PN-H, MY-24,

PN-50 (commercially available from Ajinomoto Co., Inc., Japan); EH-4337S, EH-3293S, EH-4357S (commercially available from Asahi Denka Co. Ltd., Japan); Novacure HX-3722, HXA-3921HP (commercially available from Asahi Kasei Kogyo. K.K., Japan). Sunmide LH-210, Ancamin 2014AS/FG, Ancamin 2337S (commercially available from Air Products and Chemicals, Inc., U.S.).

**[0059]** Other suitable latent epoxy curing agents include dicyandiamide and its' derivatives, imidazoles such as 2-heptadeoylimidazole, 2-phenyl-4,5-dihydroxymethylimidazole, 2-phenyl-4-methyl-5-hydroxymethylimidazole, 2-phenyl-4-benzyl-5-hydroxymethyl-imidazole, 2,4-diamino-8-2-methylimidazolyl-(1)-ethyl-5-triazine, additional products of triazine with isocyanuric acid, succinohydrazide, adipohydrazide, isophtholohydrazide, o-oxybenzohydrazide and salicylohydrazide.

**[0060]** Other suitable latent curing agents can be cationic type latent epoxy curing agents, such as bronsted acid like trifluoromethane sulfonic acid, p-toluene sulfonic acid, camphor sulfonic acid; Alkyl or silyl esters of the such bronsted acid, like trifluoromethane sulfonic acid trimethylsilyl ester; Lawis acid such as metal halide like  $BX_3$ ,  $AlX_3$ ,  $PX_5$ ,  $TiX_4$ ,  $FeX_3$ ,  $ZnX_2$ ,  $SnX_4$ , where X is selected from F, Cl, Br and I; onium salts, preferably those selected from the groups of phosphonium salts  $R_4P^+Y^-$ , sulfonium salts  $R_3S^+Y^-$ , and iodonium salts  $R_2I^+Y^-$ , where R is preferably selected from any alkyl groups aryl groups, and  $Y^-$  is preferably selected from  $BF_4^-$ ,  $PF_6^-$ , and  $SbF_6^-$ .

**[0061]** And of course, combination of different latent curing agents is also desirable for use herein.

**[0062]** In the present invention, the underfill composition comprises about 0.5 wt% to about 40 wt%, preferably about 1 wt% to about 30 wt% of the latent epoxy curing agent based on the total composition.

**[0063]** In addition, the latent curing agent may suitably be present in amounts of from about 0.1 to about 50 parts by weight, desirably from about 0.5 to about 30 parts by weight, more desirably from about 0.5 to about 20 parts by weight per 100 parts by weight of the epoxy resin.

**[0064]** The latent curing agent may be prepared by any industrially recognized methods, or may be obtained commercially where available.

#### Photocurable resin or monomer

**[0065]** The photocurable resin or monomer of the present invention refers to those materials curable either by a UV light or a visible light. Those commonly used in the art may be used herein, and examples of which include any common monofunctional or multifunctional (meth)acrylate monomers or oligomers, for example, isobornyl (meth)acrylate, lauryl (meth)acrylate, tridecyl (meth)acrylate, glycidyl methacrylate, allyl meth(acrylate), cyclohexane dimethanol di(meth)acrylate, 1,4-butanediol di(meth)acrylate, ethoxylated<sub>n</sub> bisphenol-A di(meth)acrylate (n=1~10), tricyclodecane dimethanol diacrylate, trimethylolpropane trimethacrylate, and pentaerythritol tetraacrylate.

**[0066]** Other suitable acrylates also can be any common acrylate oligomers like epoxy acrylate oligomers, urethane acrylate oligomers, polyester acrylate oligomers, polybutadiene acrylate oligomers; and examples of which are CN965, CN996, CN816, CN301, CN293, CN2204, CN104 (commercially available from Sartomer Co. Inc., U.S.).

**[0067]** Other suitable photocurable resins or monomers may include vinyl ether materials, such as vinylcyclohexene oxide, vinylcyclohexene dioxide.

**[0068]** Optionally, the photocurable resin or monomer also includes epoxy resins or monomers, which are described in "Ring-Opening Polymerizations", Vol. 2, by Frisch and Reegan, Marcel Dekker, Inc. (1969). Suitable epoxies are aliphatic, cycloaliphatic, aromatic or heterocyclic and will typically have an epoxy equivalency of from 1 to 6, preferably 1 to 3. Example of such epoxy resins or monomers include 3,4-epoxycyclohexylmethyl-3,4-epoxycyclohexanecarboxylate, 3,4-epoxy-6-methyl-cyclohexylmethyl-3,4-epoxy-6-methylcyclohexanecarboxylate, bis(3,4-epoxy-6-methylcyclohexylmethyl)adipate, dicyclopentadiene dioxide, epoxidized polybutadiene, 1,4-butanediol diglycidyl ether, polyglycidyl ether of phenolformaldehyde resole or novolak resin, resorcinol diglycidyl ether, epoxy silicones, e.g., dimethylsiloxanes having cycloaliphatic epoxide or glycidyl ether groups, aliphatic epoxy modified with propylene glycol and dipentene dioxide.

**[0069]** The photocurable resin or monomer can be used in the underfill composition of the present invention either alone or in combination.

**[0070]** In the present invention, the underfill composition comprises about 0.1 wt% to about 50 wt%, preferably 10 wt% to about 30 wt% of the photocurable resin or monomer based on the total composition.

#### Photoinitiator

**[0071]** The photoinitiator in the underfill composition according to the present invention can be based on a free radical initiating mechanism or a cationic initiating mechanism. These photoinitiators are active in the UV or visible range, of approximately 250-850 nm, preferably in the range of 300 to 450 nm and more preferably of 300 nm to 400 nm so that the compositions can be cured by exposure to a low intensity UV or visible light.

**[0072]** Examples of photoinitiators based on free radical mechanism include benzophenone, acetophenone, chlorin-

ated acetophenone, dialkoxyacetophenones, dialkylhydroxyacetophenones, dialkylhydroxyacetophenone esters, benzoin, benzoin acetate, benzoin alkyl ethers, dimethoxybenzoin, dibenzylketone, benzoylcyclohexanol and other aromatic ketones, acyloxime esters, acylphosphine oxides, acylphosphosphonates, ketosulfides, dibenzoyldisulphides, diphenyldithiocarbonate and diphenyl(2,4,6-trimethylbenzoyl) phosphine oxide. Particularly suitable photoinitiators include IRGACURE.RTM. 184, hydroxycyclohexyl phenyl ketone, available from Ciba Specialty Chemicals in Tarrytown, N.Y. and LUCIRIN.RTM. TPO, diphenyl-2,4,6-triphenylbenzoyl phosphine oxide available from BASF Corporation in Mount Olive, N.J., U.S..

**[0073]** Examples of photoinitiators based on cationic initiating mechanism include onium salts, preferably those selected from the groups of phosphonium salts  $R_4P^+Y^-$ , sulfonium salts  $R_3S^+Y^-$ , and iodonium salts  $R_2I^+Y^-$ , where R is preferably selected from any alkyl groups and aryl groups, and  $Y^-$  is preferably selected from  $BF_4^-$ ,  $PF_6^-$ , and  $SbF_6^-$ .

**[0074]** Particularly suitable photoinitiators include UVI 6976 (available from Dow Chemicals).

**[0075]** Typically, the photoinitiators will be employed in an amount of 0.2 wt.% to 10 wt.%, such as 1 wt.% to 6 wt.% and desirably 3 wt.% to 5 wt.% of the underfill composition.

**[0076]** In an embodiment of the present invention, the photoinitiators may suitably be present in an amount of from about 0.1 to about 5 parts by weight, desirably from about 0.2 to about 4 parts by weight per 100 parts by weight of the photocurable resin and monomer.

#### Thermal initiator

**[0077]** When (methyl)acrylates are used as the photocurable resin or monomer in the underfill composition according to the present invention, a thermal initiator is optionally included to cure the (methyl)acrylates part in shadow areas by heat. The thermal initiator can be peroxide- or azo type free radical initiators. The free radical initiators can initiate the cure of (methyl)acrylates rapidly at a temperature from 60°C to 200°C, desirably from 70°C to 180°C, more desirably from 80 °C to 160°C.

**[0078]** Examples of such thermal initiators include di(4-tert-butylcyclohexyl) peroxydicarbonate, tert-butyl peroxyneodecanoate, tert-butyl peroxy-pivalate, dilauroyl peroxide, 2,2'-azodi(isobutyronitrile), 2,5-dimethyl-2,5-di(2-ethylhexanoylperoxy)hexane, tert-butyl peroxy-2-ethylhexanoate, tert-butyl peroxybenzoate, and so on.

**[0079]** When present, the thermal initiator may suitably be present in an amount of from about 0.1 to about 5 parts, desirably from about 0.2 to about 4 parts by weight per 100 parts of the photocurable resin and monomer.

#### Fillers

**[0080]** Optionally, the underfill composition according to the present invention can also include filler. The filler used herein can be conventional inorganic fillers such as alumina, silica, and magnesia. The preferable fillers are alumina and silica with a spherical shape. The preferred average particle size of the filler is from 1 nm to 20  $\mu\text{m}$ , desirably from 5 nm to 10  $\mu\text{m}$ .

#### Other additives

**[0081]** The underfill composition of the present invention may additionally include other additives that are commonly used in the art, such as, pigments, antioxidants, tougheners, defoamers, silane coupling agents and so on if necessary.

**[0082]** In an example useful for understanding the invention, a viscosity ranges from 50 mPa.s to 10000 mPa.s, desirably 100-5000 mPa.s, and more desirably 150-1500 mPa.s so as to achieve fast flow speed and meet the requirements of jetting dispense.

#### Packaging Process using the underfill composition

**[0083]** In another aspect of the present invention, provided is a packaging process using the underfill composition according to the present invention. The packaging process according to the present invention can accurately control the underfill flow so as not to cause contamination and not sacrifice throughput.

**[0084]** The packaging process using the underfill composition according to the invention mainly comprises the following steps, and is described with reference to **Figure 2**. Those skilled in the art would understand that the following steps focus on the parts of the packaging process where the present invention relates to, and besides these steps, the packaging process of the present invention can also comprise other steps or procedures commonly employed in the art.

**[0085]** In step a), an assembly of a package 11 and a circuit board 22 is provided. The assembly to be packaged can be prepared in any manners that are commonly used in the art. The packages can be used herein include CSPs, BGAs, LGAs, POPs etc.

**[0086]** In step b), a suitable amount of the underfill composition according to the invention is dispensed on a suitable

position in any manners that are commonly used in the art, such as jetting dispense. The amount of the underfill composition used herein can be controlled according to the practical requirements to completely fill the gap and form desired fillet without flowing out. The amount of the underfill composition used herein can be practically determined by those skilled in the art.

5 **[0087]** In step c), after the underfill composition is dispensed, it flows by capillary action to the gap between the package and the circuit board and forms fillet. Depending on the viscosity of the underfill composition, the circuit board can be preheated to accelerate the flow speed of the underfill composition. In a preferred embodiment of the present invention, the preheating of the circuit board is dispensed with.

10 **[0088]** In step d), after the fillet is formed, a photo-curing step is conducted so as to partially or fully cure the fillet by exposure to a light of 250 nm to 850 nm, preferably of 300 nm to 450 nm, with an intensity of 30-4000 mJ/cm<sup>2</sup> and preferably 100-3000 mJ/cm<sup>2</sup>. In an embodiment of the present invention, the fillet is fully cured under exposure to the light. The cure time during the photo-curing can be controlled according to the practical requirements, for example by adjusting the wavelength of the light and/or the intensity of the light. Typically, the fillet can be cured within several seconds. As mentioned previously, if heat cure is applied, the viscosity of the underfill composition would decrease initially with temperature rising before the occurrence of the cure reaction and hence it would flow out and lead to adhesive contamination of electrical elements like resistors around the package. Curing the fillet by exposure to the light as in the present invention can prevent the underfill composition from flowing out during the subsequent heat cure step and thus avoid the contamination.

15 **[0089]** In step e), after the fillet is partially or fully cured, the uncured underfill composition can be completely cured at an elevated temperature in a range of 60 °C to 250°C, preferably of 70 °C to 200 °C, more preferably of 80 °C to 160 °C. The cure time during the heat cure can be controlled according to the practical needs, for example by selecting the temperature. Typically, the cure time of the heat cure can be 0.1 min to 30 min, preferably 0.2 min to 20 min, more preferably 0.5 min to 10 min.

## 25 Examples

**[0090]** The present invention will be further described and illustrated in more detail with reference to the following examples, which, however, are not intended to restrict the scope of the present invention.

### 30 Materials used in the examples

#### Epoxy resins:

#### 35 **[0091]**

- Bisphenol-A epoxy: Epiclone 850CRP (Trade name, from DIC);
- Bisphenol-F epoxy: Epiclone 830CRP (Trade name, from DIC);
- A mixture of bisphenol-A and bisphenol-F epoxy: ZX-1059 (Trade name, from TOHTO Kasei Co. Inc., Japan)
- Bisphenol-A epoxy: RE310S (Trade name, from Nippon Kayaku)
- 40 - Tert-butyl phenol glycidyl ether: Heloxy Modifier 65 (Trade name, from Momentive)

#### Latent epoxy curing agent:

#### 45 **[0092]**

- Modified imidazole derivate: LSA-H0401 (Trade name, from Asahi Kasei)

#### Photocurable resins or monomers:

#### 50 **[0093]**

- Epoxy acrylate oligomer: Ebecryl 3700 (Trade name, from Cytec)
- Difunctional acrylate monomer: SR833S (Trade name, from Sartomer)
- Isobornyl methacrylate (hereinafter referred to as IBOMA)
- 55 - Glycidyl methacrylate (hereinafter referred to as GMA)



## EP 2 948 506 B1

### Photoinitiator:

[0094] Darocur 1173 (Trade name, from CIBA)

### 5 Thermal initiator:

[0095] Trigonox 21s (Trade name, from AKZO NOBEL)

### 10 Other additives:

[0096]

Pigment: carbon black, Munarch 120 (Trade name, from Cabot)

Prohibitor: hydroquinone (purity: 99%)

15 Defoamer agent: PC1344 (Trade name, from Solutia)

### Test methods

#### 20 Viscosity

[0097] The viscosity of the underfill composition is measured using Brookfield Viscometer RVT DV-II CP41/20rpm, at 25°C, with reference to ASTM D1084.

#### 25 Flow time of the underfill composition

[0098] A test device as illustrated in **Figure 3** is prepared as below to test the flow time of the underfill composition.

[0099] Providing two glass slides 1 with two rectangular spacers 2 sandwiched therebetween, the distance between the two glass slides 1 is controlled by the thickness of the two spacers 2. In the examples of the present invention, the two spacers 2 have an equal thickness of 80µm, and the distance between the two spacers 2 is 10 mm.

[0100] At the temperature of 25°C, dispensing 0.2 ml of the underfill composition at the starting point 3 of the device, recording the time respectively when the composition flows to the mark lines of 5 mm, 10 mm and 15 mm to determine the flow time of the underfill composition.

#### 35 Overflow distance after cure

[0101] The overflow distance is determined by the difference of flow distances of the fillet before cure and after cure. Referring to **Figure 4**, a package 11 and a circuit board 22 as below are used in the test:

40 Package: 12x12mm BGA, 228 I/O, 0.5 mm Pitch, SAC405

Board: 1.0 mm Thick FR-4, AUS5 Solder Mask, OSP-Cu Finish, 1-6-1 Buildup.

[0102] 100 mg of the underfill composition is dispensed at the temperature of 25 °C and then flows by capillary action to completely fill the gap between the package and the board and forms fillet. The width of the fillet is measured as L1.

45 [0103] The fillet is partially cured by exposure to a UV light having a wavelength of 365 nm irradiated from Fusion UV conveyer system (commercially from Fusion) with the light intensity of 2 J/cm<sup>2</sup>. And then, the underfill composition is fully cured by heating at the temperature of 130°C for 10 min. The width of the fillet is measured as L2.

[0104] The overflow distance ΔL is calculated by ΔL=L2 - L1.

#### 50 Capacitor contamination

[0105] Referring to **Figure 5**, the package 11 and the board 22 mentioned above in the overflow distance test are used in this test except that a capacitor is assembled at a distance of 0.4mm from the BGA.

[0106] 100 mg of the underfill composition is dispensed at the temperature of 25 °C and then flows by capillary action to completely fill the gap between the package and the board and forms fillet.

55 [0107] The fillet is partially cured by exposure to a UV light having a wavelength of 365nm irradiated from Fusion UV conveyer system (commercially from Fusion) with the light intensity of 2 J/cm<sup>2</sup>. And then, the underfill composition is fully cured by heating at the temperature of 130 °C for 10 min.

**EP 2 948 506 B1**

**[0108]** Visually check if the capacitor around the package is contaminated by the underfill composition.

Examples 1 to 3 and comparative example 1

- 5 **[0109]** Underfill compositions 1 to 3 and comparative example 1 are formulated according to Table 1.  
**[0110]** Each composition is formulated traditionally by mixing the components in their respective amounts as listed in Table 1 in a suitable container with stirring.  
**[0111]** Comparative example 1 is formulated without photoinitiator.  
**[0112]** Various tests are conducted to each composition according to the methods mentioned above, and the results are also shown in Table 1.

Table 1

Components	Comparative example (g)	Example 1 (g)	Example 2 (g)	Example 3 (g)
ZX-1059	20.2	20.2	-	11.16
Epiclon 830CRP			11.0	
RE310S	30.0	30.0	25.7	-
Epiclon 850CRP	-	-	-	27.0
Ebecryl 3700	-	-	3.74	8.0
SR833S	9.95	9.95	13.45	11.92
Heloxy modifier 65	6.0	6.0	4.30	8.0
IBOMA	4.96	3.6	3.84	2.6
GMA	8.0	8.0	7.68	8.0
Hydroquinone	0.05	0.05	0.05	0.08
Modified imidazole deriviate	20.0	20.0	28.00	20.0
Trigonox 21s	0.6	0.6	0.6	0.6
Darocur 1173	-	1.4	1.4	1.4
Carbon black	0.04	-	0.04	0.04
Defoamer agent	0.2	0.2	0.2	0.2
Total	100	100	100	100
Viscosity, mpas Brookfield CP41/20	353	349	452	368
Flow time (s) @ 25 °C	5mm	15	13	12
	10mm	49	45	56
	15mm	108	103	131
UV cure (wavelength :365nm Intensity: 2000mJ/cm <sup>2</sup> )	Uncured	Fillet gel after UV	Fillet gel after UV	Fillet gel after UV
Overflow distance after curing	0.32 mm	0.06 mm	0.07	0.07 mm
Capacitor contamination	YES	NO	NO	NO

**[0113]** It can be seen from Table 1 that the underfill compositions of the present invention (examples 1 to 3) show good performances in view of overflow control and adhesive contamination. Specifically, the overflow distance of the underfill compositions according to examples 1 to 3 can be controlled accurately in a desired range, for example, 0.06 mm, which is much shorter than that of the comparative example 1 (0.32 mm). Meanwhile, the flow time of each underfill composition according to examples 1 to 3 is comparable with the comparative example 1 or is acceptable in the art, which ensures an unreduced throughput.

**[0114]** The advantages of the packaging process of the present invention have been demonstrated with the various test results of the underfill composition of the present invention. Specifically, the packaging process using the underfill composition according to the present invention can fulfil the advantages of the underfill composition without sacrifice manufacturing throughput.

**[0115]** All the modifications and changes should fall in the scope of the appended claims of the present application.

## Claims

1. A one part underfill composition comprising:

- an epoxy resin,
- a latent epoxy curing agent,
- a photocurable resin or monomer,
- a photoinitiator,
- optionally, a filler, and
- optionally, a thermal initiator,

wherein the epoxy resin comprises at least one multifunctional epoxy resin, and one or more monofunctional epoxy resins, and wherein the multifunctional epoxy resin is included in an amount within the range of 40 wt.% to 95 wt.%, of the total epoxy resin.

2. The underfill composition according to claim 1, wherein it comprises 10 wt.% to 90 wt.%, preferably 30 wt.% to 80 wt.%, more preferably 45 wt.% to 65 wt.% of the epoxy resin based on the total composition.

3. The underfill composition according to claim 1, wherein the multifunctional epoxy resin is included in an amount within the range of 60 wt.% to 95 wt.%, of the total epoxy resin.

4. The underfill composition according to claim 1, wherein the multifunctional epoxy resin is selected from the group consisting of bisphenol-A epoxy resins, bisphenol-F epoxy resins, novolac epoxy resins, 2,6-diglycidylphenyl glycidyl ether, naphthalene epoxy resins, cycloaliphatic epoxy resins, polyepoxy compounds based on aromatic amines and epichlorohydrin, polyglycidyl derivatives of phenolic compounds, polyepoxides prepared from polyols, polybutadiene and the like, polyglycidyl derivatives of phenol-formaldehyde novolacs, and polyglycidyl adducts of amines, aminoalcohols and polycarboxylic acids.

5. The underfill composition according to claim 1, wherein the monofunctional epoxy resin is selected from the group consisting of p-tert-butyl phenyl glycidyl ether, cresyl glycidyl ether, neodecanoic acid glycidyl ether, alkyl C12-C14 glycidyl ether, butyl glycidyl ether, 2-ethylhexyl glycidyl ether, and nonylphenyl glycidyl ether.

6. The underfill composition according to any one of claims 1 to 5, wherein the latent epoxy curing agent is present in an amount of from 0.1 to 50 parts by weight, preferably from 0.5 to 30 parts by weight, preferably from 0.5 to 20 parts by weight per 100 parts by weight of the epoxy resin.

7. The underfill composition according to any one of claims 1 to 6, wherein the photocurable resin or monomer is selected from the group consisting of (meth)acrylate monomers or oligomers, vinyl ethers, and photocurable epoxy resins or monomers.

8. The underfill composition according to any one of claims 1 to 7, wherein the photoinitiator is present in an amount of from 0.1 to 5 parts by weight, preferably from 0.2 to 4 parts by weight per 100 parts by weight of the photocurable resin or monomer.

9. The underfill composition according to any one of claims 1 to 8, wherein the photoinitiator can be activated in a wavelength range of from 250 nm to 850 nm, preferably from 300 nm to 450 nm, more preferably from 300 nm to 400 nm.

10. The underfill composition according to any one of claims 1 to 9, wherein the photoinitiator is selected from cationic-type photoinitiators and free-radical-type photoinitiators, especially, selected from the group consisting of benzophenone, acetophenone, chlorinated acetophenone, dialkoxyacetophenones, dialkylhydroxyacetophenones, di-

alkylhydroxyacetophenone esters, benzoin, benzoin acetate, benzoin alkyl ethers, dimethoxybenzoin, dibenzylketone, benzoylcyclohexanol and other aromatic ketones, acyloxime esters, acylphosphine oxides, acylphosphosphonates, ketosulfides, dibenzoyldisulphides, diphenyldithiocarbonate, diphenyl(2,4,6-trimethylbenzoyl) phosphine oxide, phosphonium salts, sulfonium salts, and iodonium salts.

5

11. A packaging process using the underfill composition according to any one of claims 1 to 10, comprising the steps of:

- a) providing an assembly of a package (11) and a circuit board (22);
- b) dispensing the underfill composition;
- c) the underfill composition flowing by capillary action to fill the gap between the package and the circuit board with or without board preheating, and forming fillet;
- d) partially or fully curing the fillet by exposure to a UV light and/or a visible light; and
- e) completely curing the uncured underfill composition by heat.

10

12. The packaging process according to claim 11, wherein the package is selected from the group consisting of CSP, BGA, LGA, and POP.

15

13. The packaging process according to claim 11 or 12, wherein the intensity of the light in step d) is from 30 mJ/cm<sup>2</sup> to 4000 mJ/cm<sup>2</sup>, preferably from 100 mJ/cm<sup>2</sup> to 3000 mJ/cm<sup>2</sup> and/or the light has a wavelength within the range of 250 nm to 850 nm, preferably of 300 nm to 450 nm, more preferably of 300 nm to 400 nm.

20

14. The packaging process according to any one of claims 11 to 13, wherein the heat cure step e) is conducted at a temperature in the range of 60 °C to 250°C, preferably of 70 °C to 200 °C, more preferably of 80 °C to 160 °C.

25

## Patentansprüche

1. Einteilige Unterfüllzusammensetzung, umfassend:

- ein Epoxidharz,
- ein latentes Epoxidhärtungsmittel,
- ein lighthärtbares Harz oder Monomer,
- einen Photoinitiator,
- optional einen Füllstoff und
- optional einen thermischen Initiator,

30

35

wobei das Epoxidharz mindestens ein multifunktionelles Epoxidharz und ein oder mehrere monofunktionelle Epoxidharze umfasst und wobei das multifunktionelle Epoxidharz in einer Menge in dem Bereich von 40 Gew.-% bis 95 Gew.-% des gesamten Epoxidharzes enthalten ist.

40

2. Unterfüllzusammensetzung nach Anspruch 1, wobei es 10 Gew.-% bis 90 Gew.-%, bevorzugt 30 Gew.-% bis 80 Gew.-%, weiter bevorzugt 45 Gew.-% bis 65 Gew.-% des Epoxidharzes, auf Basis der Gesamtzusammensetzung, umfasst.

45

3. Unterfüllzusammensetzung nach Anspruch 1, wobei das multifunktionelle Epoxidharz in einer Menge in dem Bereich von 60 Gew.-% bis 95 Gew.-% des gesamten Epoxidharzes enthalten ist.

4. Unterfüllzusammensetzung nach Anspruch 1, wobei das multifunktionelle Epoxidharz aus der Gruppe ausgewählt ist, die aus Folgendem besteht: Bisphenol-A-Epoxidharzen, Bisphenol-F-Epoxidharzen, Novolak-Epoxidharzen, 2,6-Diglycidylphenylglycidylethern, Naphthalin-Epoxidharzen, cycloaliphatischen Epoxidharzen, Polyepoxidverbindungen auf Basis aromatischer Amine und Epichlorhydrin, Polyglycidylderivaten von Phenolverbindungen, Polyepoxiden, die aus Polyolen, Polybutadien und dergleichen hergestellt sind, Polyglycidylderivaten von Phenolformaldehydnovolaken und Polyglycidyladdukten von Aminen, Aminoalkoholen und Polycarbonsäuren.

50

5. Unterfüllzusammensetzung nach Anspruch 1, wobei das monofunktionelle Epoxidharz aus der Gruppe ausgewählt ist, die aus Folgendem besteht: p-tert-Butylphenylglycidylether, Cresylglycidylether, Neodecansäureglycidylether, Alkyl-C12-C14-Glycidylether, Butylglycidylether, 2-Ethylhexylglycidylether und Nonylphenylglycidylether.

55

## EP 2 948 506 B1

6. Unterfüllzusammensetzung nach einem der Ansprüche 1 bis 5, wobei das latente Epoxidhärtungsmittel in einer Menge von 0,1 bis 50 Gewichtsteilen, bevorzugt von 0,5 bis 30 Gewichtsteilen, bevorzugt von 0,5 bis 20 Gewichtsteilen pro 100 Gewichtsteilen des Epoxidharzes vorhanden ist.
- 5 7. Unterfüllzusammensetzung nach einem der Ansprüche 1 bis 6, wobei das lichthärtbare Harz oder Monomer aus der Gruppe ausgewählt ist, die aus Folgendem besteht: (Meth)Acrylatmonomeren oder -oligomeren, Vinylethern und lichthärtbaren Epoxidharzen oder Monomeren.
- 10 8. Unterfüllzusammensetzung nach einem der Ansprüche 1 bis 7, wobei der Photoinitiator in einer Menge von 0,1 bis 5 Gewichtsteilen, bevorzugt von 0,2 bis 4 Gewichtsteilen pro 100 Gewichtsteilen des lichthärtbaren Harzes oder Monomers vorhanden ist.
- 15 9. Unterfüllzusammensetzung nach einem der Ansprüche 1 bis 8, wobei der Photoinitiator in einem Wellenlängenbereich von 250 nm bis 850 nm, bevorzugt von 300 nm bis 450 nm, weiter bevorzugt von 300 nm bis 400 nm aktiviert werden kann.
- 20 10. Unterfüllzusammensetzung nach einem der Ansprüche 1 bis 9, wobei der Photoinitiator aus Photoinitiatoren der kationischen Art und Photoinitiatoren der Radikalart ausgewählt ist, besonders aus der Gruppe ausgewählt ist, die aus Folgendem besteht: Benzophenon, Acetophenon, chloriertem Acetophenon, Dialkoxycetophenonen, Dialkylhydroxycetophenonen, Dialkylhydroxycetophenonestern, Benzoin, Benzoinacetat, Benzoinalkylethern, Dimethoxybenzoin, Dibenzylketon, Benzoylcyclohexanol und anderen aromatischen Ketonen, Acyloximestern, Acylphosphinoxiden, Acylphosphonaten, Ketosulfiden, Dibenzoyldisulfiden, Diphenyldithiocarbonat, Diphenyl(2,4,6-trimethylbenzoyl)phosphinoxid, Phosphoniumsalzen, Sulfoniumsalzen und Iodoniumsalzen.
- 25 11. Verpackungsverfahren unter Verwendung der Unterfüllzusammensetzung nach einem der Ansprüche 1 bis 10, die folgenden Schritte umfassend:
- a) Bereitstellen einer Anordnung einer Verpackung (11) und einer Leiterplatte (22);
  - b) Ausgeben der Unterfüllzusammensetzung;
  - 30 c) Fließen der Unterfüllzusammensetzung durch Kapillarwirkung, um den Spalt zwischen der Verpackung und der Leiterplatte mit oder ohne Vorwärmen der Platte zu füllen und eine Ausrundung auszubilden;
  - d) Teil- oder Vollhärten der Ausrundung durch Einwirkung eines UV-Lichts und/oder eines sichtbaren Lichts; und
  - e) vollständiges Härten der nicht gehärteten Unterfüllzusammensetzung durch Wärme.
- 35 12. Verpackungsverfahren nach Anspruch 11, wobei die Verpackung aus der Gruppe ausgewählt ist, die aus CSP, BGA, LGA und POP besteht.
- 40 13. Verpackungsverfahren nach Anspruch 11 oder 12, wobei die Intensität des Lichts in Schritt d) von 30 mJ/cm<sup>2</sup> bis 4.000 mJ/cm<sup>2</sup>, bevorzugt von 100 mJ/cm<sup>2</sup> bis 3.000 mJ/cm<sup>2</sup> beträgt und/oder das Licht eine Wellenlänge in dem Bereich von 250 nm bis 850 nm, bevorzugt von 300 nm bis 450 nm, weiter bevorzugt von 300 nm bis 400 nm aufweist.
- 45 14. Verpackungsverfahren nach einem der Ansprüche 11 bis 13, wobei der Wärmehärtungsschritt e) bei einer Temperatur in dem Bereich von 60 °C bis 250 °C, bevorzugt von 70 °C bis 200 °C, weiter bevorzugt von 80 °C bis 160 °C durchgeführt wird.

### Revendications

- 50 1. Composition de sous-remplissage en une partie comprenant :

- une résine époxy,
- un agent de durcissement époxy latent,
- une résine ou un monomère photodurcissable,
- un photo-initiateur,
- 55 - éventuellement, une charge, et
- éventuellement, un initiateur thermique,

dans laquelle la résine époxy comprend au moins une résine époxy multifonctionnelle, et une ou plusieurs résines

## EP 2 948 506 B1

époxy monofonctionnelles, et dans laquelle la résine époxy multifonctionnelle est incluse en une quantité dans la plage de 40 % en poids à 95 % en poids de la résine époxy totale.

- 5 2. Composition de sous-remplissage selon la revendication 1, dans laquelle elle comprend 10 % en poids à 90 % en poids, de préférence 30 % en poids à 80 % en poids, plus préférablement 45 % en poids à 65 % en poids de la résine époxy par rapport à la composition totale.
- 10 3. Composition de sous-remplissage selon la revendication 1, dans laquelle la résine époxy multifonctionnelle est incluse en une quantité dans la plage de 60 % en poids à 95 % en poids de la résine époxy totale.
- 15 4. Composition de sous-remplissage selon la revendication 1, dans laquelle la résine époxy multifonctionnelle est choisie dans le groupe constitué par les résines époxy de bisphénol-A, les résines époxy de bisphénol-F, les résines époxy novolacs, le 2,6-diglycidylphényl glycidyléther, les résines époxy de naphthalène, les résines époxy cycloaliphatiques, les composés polyépoxy à base d'amines aromatiques et d'épichlorhydrine, les dérivés polyglycidyliques de composés phénoliques, les polyépoxydes préparés à partir de polyols, de polybutadiène et analogues, les dérivés polyglycidyliques de novolacs phénol-formaldéhyde, et les adduits polyglycidyliques d'amines, d'aminoalcools et d'acides polycarboxyliques.
- 20 5. Composition de sous-remplissage selon la revendication 1, dans laquelle la résine époxy monofonctionnelle est choisie dans le groupe constitué par l'éther p-tert-butylphényl glycidyléther, l'éther de crésylglycidyle, l'éther glycidyléther de l'acide néodécanoïque, l'éther alkylé glycidyléther en C12 à C14, l'éther butylglycidyléther, l'éther 2-éthylhexylglycidyle et l'éther nonylphényl glycidyléther.
- 25 6. Composition de sous-remplissage selon l'une quelconque des revendications 1 à 5, dans laquelle l'agent de durcissement époxy latent est présent en une quantité de 0,1 à 50 parties en poids, de préférence de 0,5 à 30 parties en poids, de préférence de 0,5 à 20 parties en poids pour 100 parties en poids de la résine époxy.
- 30 7. Composition de sous-remplissage selon l'une quelconque des revendications 1 à 6, dans laquelle la résine ou le monomère photodurcissable est choisi dans le groupe constitué par les monomères ou oligomères de (méth)acrylate, les éthers vinyliques et les résines ou monomères époxy photodurcissables.
- 35 8. Composition de sous-remplissage selon l'une quelconque des revendications 1 à 7, dans laquelle le photo-initiateur est présent en une quantité de 0,1 à 5 parties en poids, de préférence de 0,2 à 4 parties en poids pour 100 parties en poids de la résine ou du monomère photodurcissable.
- 40 9. Composition de sous-remplissage selon l'une quelconque des revendications 1 à 8, dans laquelle le photo-initiateur peut être activé dans une plage de longueur d'onde de 250 nm à 850 nm, de préférence de 300 nm à 450 nm, encore de préférence de 300 nm à 400 nm.
- 45 10. Composition de sous-remplissage selon l'une quelconque des revendications 1 à 9, dans laquelle le photo-initiateur est choisi parmi les photo-initiateurs de type cationique et les photo-initiateurs de type radicalaire, notamment choisi dans le groupe constitué par le benzophénone, l'acétophénone, l'acétophénone chloré, les dialkylacétophénones, les dialkylhydroxyacétophénones, les esters dialkylhydroxyacétophénone, le benzoïne, l'acétate de benzoïne, les éthers alkyle benzoïne, le diméthoxybenzoïne, le dibenzylcétone, le benzoylcyclohexanol et autres cétones aromatiques, les esters acyloxime, les oxydes d'acylphosphine, les acylphosphonates, les cétosulfures, les sulfures de benzoyle, les diphényldithiocarbonates, le dyphényle(2,4,6-triméthylbenzoyl), l'oxyde de phosphine, les sels de phosphonium, les sels de sulfonium et les sels d'iodonium.
- 50 11. Procédé de mise en boîtier utilisant la composition de matière de remplissage selon l'une quelconque des revendications 1 à 10, comprenant les étapes consistant à :
  - a) fournir un ensemble de boîtier (11) et une carte de circuit imprimé (22) ;
  - b) déverser la composition de sous-remplissage ;
  - 55 c) la composition de sous-remplissage s'écoulant par action capillaire pour combler le vide entre le boîtier et la carte de circuit avec ou sans préchauffage de la carte et formant un joint congé ;
  - d) durcir partiellement ou totalement le joint congé par exposition à une lumière UV et/ou une lumière visible ; et
  - e) durcir complètement la composition de sous-remplissage non polymérisée par la chaleur.

## EP 2 948 506 B1

12. Procédé de mise en boîtier selon la revendication 11, dans lequel le boîtier est sélectionné dans le groupe constitué de CSP, BGA, LGA et POP.

5 13. Procédé de mise en boîtier selon la revendication 11 ou 12, dans lequel l'intensité de la lumière dans l'étape d) est comprise entre  $30 \text{ mJ/cm}^2$  à  $4000 \text{ mJ/cm}^2$ , de préférence de  $100 \text{ mJ/cm}^2$  à  $3000 \text{ mJ/cm}^2$  et/ou la lumière a une longueur d'onde dans la plage de 250 nm à 850 nm, de préférence de 300 nm à 450 nm, encore de préférence de 300 nm à 400 nm.

10 14. Procédé de mise en boîtier selon l'une quelconque des revendications 11 à 13, dans lequel l'étape de durcissement thermique e) est réalisée à une température comprise dans l'intervalle de  $60 \text{ }^\circ\text{C}$  à  $250 \text{ }^\circ\text{C}$ , de préférence de  $70 \text{ }^\circ\text{C}$  à  $200 \text{ }^\circ\text{C}$ , encore de préférence de  $80 \text{ }^\circ\text{C}$  à  $160 \text{ }^\circ\text{C}$ .

15

20

25

30

35

40

45

50

55

Figure 1:

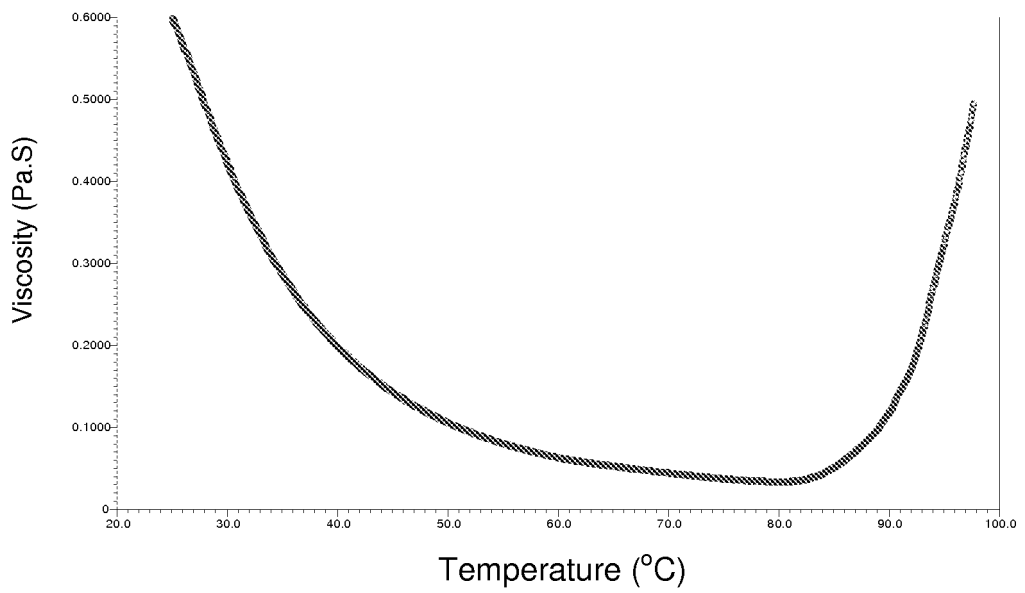




Figure 2:

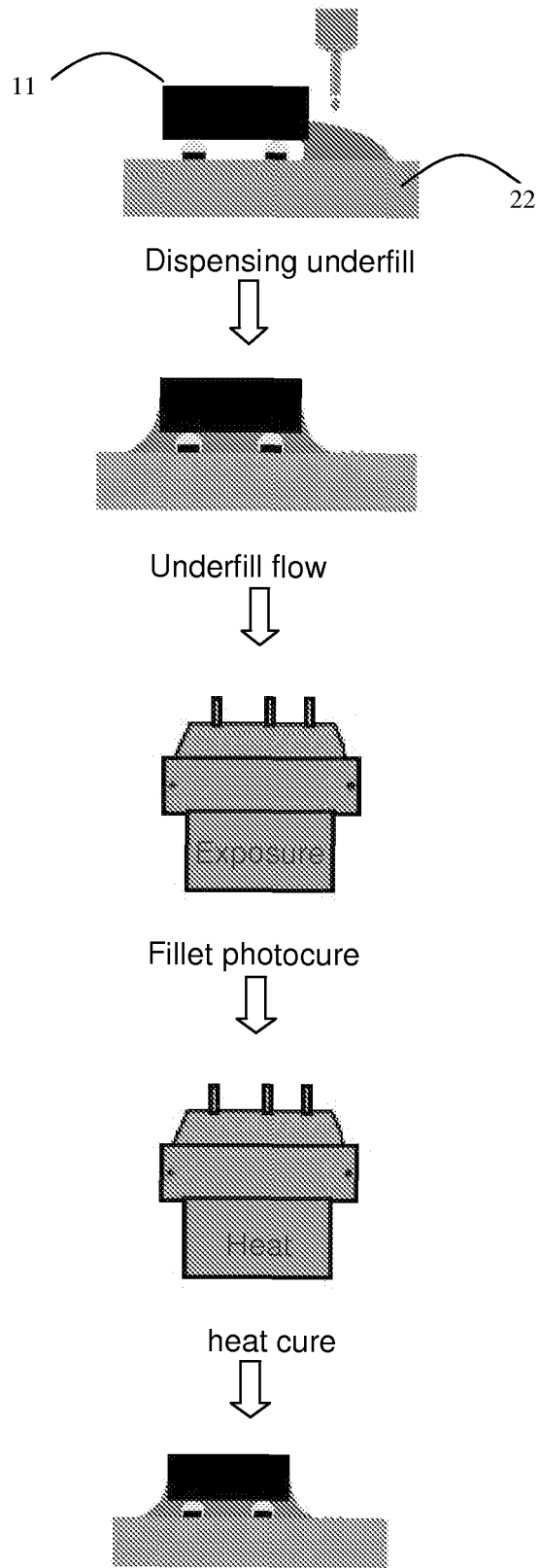


Figure 3:

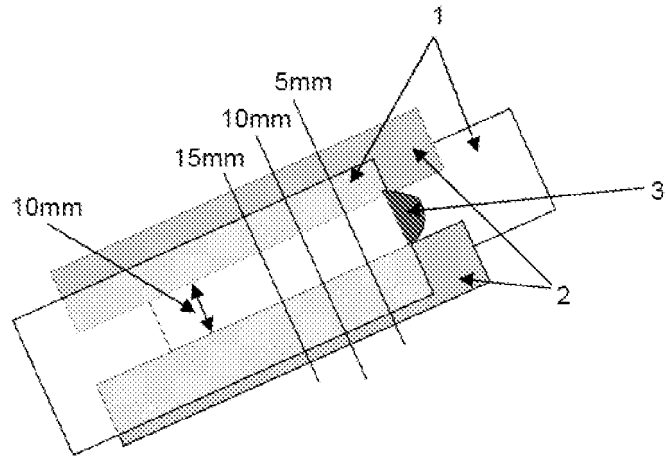


Figure 4:

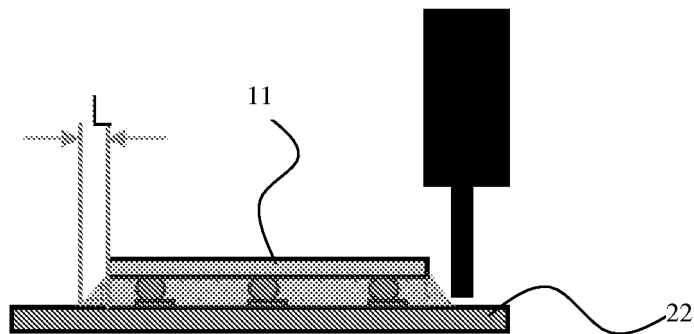
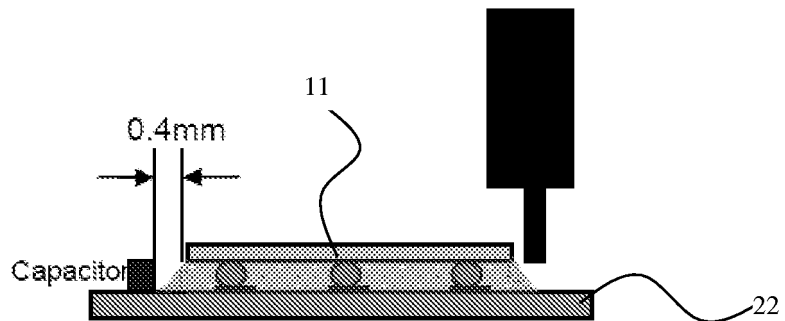


Figure 5:



**REFERENCES CITED IN THE DESCRIPTION**

*This list of references cited by the applicant is for the reader's convenience only. It does not form part of the European patent document. Even though great care has been taken in compiling the references, errors or omissions cannot be excluded and the EPO disclaims all liability in this regard.*

**Patent documents cited in the description**

- US 20090075429 A [0003]
- US 20030131937 A [0005]
- US 2002128353 A [0007]
- US 2004087681 A [0007]
- US 4546155 A [0057]
- US 7226976 B [0057]
- US 4833226 A [0057]
- JP 2008214567 B [0057]
- GB 1121196 A [0057]
- US 5077376 A [0057]

**Non-patent literature cited in the description**

- **FRISCH ; REEGAN.** Ring-Opening Polymerizations.  
Marcel Dekker, Inc, 1969, vol. 2 [0068]