



(12) **EUROPEAN PATENT APPLICATION**

(88) Date of publication A3:  
**14.08.2019 Bulletin 2019/33**

(51) Int Cl.:  
**F01D 11/08** <sup>(2006.01)</sup> **F01D 21/00** <sup>(2006.01)</sup>  
**G01M 15/14** <sup>(2006.01)</sup>

(43) Date of publication A2:  
**17.07.2019 Bulletin 2019/29**

(21) Application number: **18211562.6**

(22) Date of filing: **11.12.2018**

(84) Designated Contracting States:  
**AL AT BE BG CH CY CZ DE DK EE ES FI FR GB GR HR HU IE IS IT LI LT LU LV MC MK MT NL NO PL PT RO RS SE SI SK SM TR**  
 Designated Extension States:  
**BA ME**  
 Designated Validation States:  
**KH MA MD TN**

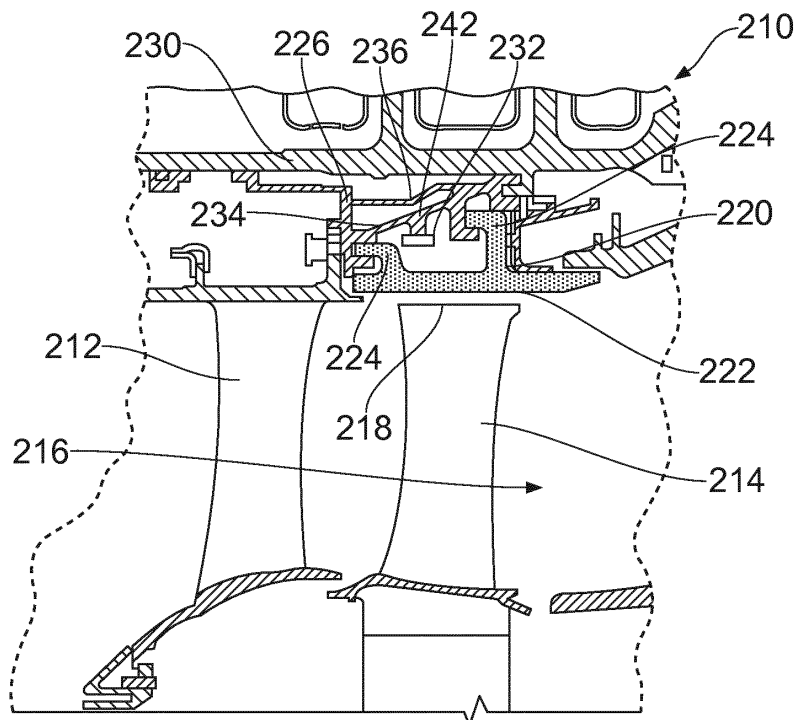
(71) Applicant: **Rolls-Royce plc**  
**London SW1E 6AT (GB)**  
 (72) Inventor: **Whittle, Michael**  
**Derby, Derbyshire DE24 8BJ (GB)**  
 (74) Representative: **Rolls-Royce plc**  
**Intellectual Property Dept SinA-48**  
**PO Box 31**  
**Derby DE24 8BJ (GB)**

(30) Priority: **10.01.2018 GB 201800375**

(54) **A TEST SPECIMEN FOR A GAS TURBINE ENGINE**

(57) A gas turbine engine, comprising: a component (220) having a gas path wall with a gas path facing surface (222) and an opposing air cooled surface, wherein the air cooled surface receives a supply of cooling air; a chamber which holds the cooling air for delivery to the

air cooled surface; a test sample (232) mounted within the chamber so as to be located in the supply of cooling air which is delivered to the air cooled surface, wherein the test sample is constructed of the same material as the gas path wall of the component.



**FIG. 2**



EUROPEAN SEARCH REPORT

Application Number  
EP 18 21 1562

5

10

15

20

25

30

35

40

45

50

55

DOCUMENTS CONSIDERED TO BE RELEVANT			
Category	Citation of document with indication, where appropriate, of relevant passages	Relevant to claim	CLASSIFICATION OF THE APPLICATION (IPC)
X	WO 2008/049456 A1 (SIEMENS AG [DE]; LADRU FRANCIS-JURJEN [DE]; MOTZKUS RALF [DE]) 2 May 2008 (2008-05-02)	1-8,13,14	INV. F01D11/08 F01D21/00 G01M15/14
Y	* page 3, line 1 - page 13, line 6; figures 5,7,8 *	9,10,12,15	
A		11	
Y	----- JP S60 45731 A (HITACHI LTD) 12 March 1985 (1985-03-12) * abstract *	9,10,12,15	
Y	----- JP S54 121192 A (HITACHI LTD) 20 September 1979 (1979-09-20) * abstract *	15	
	-----		
The present search report has been drawn up for all claims			TECHNICAL FIELDS SEARCHED (IPC)
			F01D G01M
Place of search		Date of completion of the search	Examiner
Munich		3 July 2019	Rau, Guido
CATEGORY OF CITED DOCUMENTS			
X : particularly relevant if taken alone		T : theory or principle underlying the invention	
Y : particularly relevant if combined with another document of the same category		E : earlier patent document, but published on, or after the filing date	
A : technological background		D : document cited in the application	
O : non-written disclosure		L : document cited for other reasons	
P : intermediate document		& : member of the same patent family, corresponding document	

1  
EPO FORM 1503 03/82 (P04/C01)

**ANNEX TO THE EUROPEAN SEARCH REPORT  
ON EUROPEAN PATENT APPLICATION NO.**

EP 18 21 1562

5 This annex lists the patent family members relating to the patent documents cited in the above-mentioned European search report.  
The members are as contained in the European Patent Office EDP file on  
The European Patent Office is in no way liable for these particulars which are merely given for the purpose of information.

03-07-2019

Patent document cited in search report	Publication date	Patent family member(s)	Publication date
WO 2008049456 A1	02-05-2008	EP 2082076 A1 US 2010061864 A1 WO 2008049456 A1	29-07-2009 11-03-2010 02-05-2008
-----	-----	-----	-----
JP S6045731 A	12-03-1985	NONE	
-----	-----	-----	-----
JP S54121192 A	20-09-1979	NONE	
-----	-----	-----	-----

EPO FORM P0459

For more details about this annex : see Official Journal of the European Patent Office, No. 12/82