



(11) **EP 1 663 458 B1**

(12) **EUROPEAN PATENT SPECIFICATION**

(45) Date of publication and mention of the grant of the patent:  
**14.01.2009 Bulletin 2009/03**

(21) Application number: **04779814.5**

(22) Date of filing: **30.07.2004**

(51) Int Cl.:  
**B01D 53/94<sup>(2006.01)</sup> F01N 3/20<sup>(2006.01)</sup>**

(86) International application number:  
**PCT/US2004/024864**

(87) International publication number:  
**WO 2005/016497 (24.02.2005 Gazette 2005/08)**

(54) **EMISSION TREATMENT SYSTEM AND METHOD USING A SCR FILTER**

EMISSIONSBEHANDLUNGSSYSTEM UND EINEN SCR-FILTER VERWENDENDEN VERFAHREN  
SYSTEME DE TRAITEMENT D'EMISSIONS ET PROCEDE D'UTILISATION D'UN FILTRE A REDUCTION CATALYTIQUE SELECTIVE (SCR)

(84) Designated Contracting States:  
**AT BE BG CH CY CZ DE DK EE ES FI FR GB GR HU IE IT LI LU MC NL PL PT RO SE SI SK TR**

(30) Priority: **05.08.2003 US 634659**

(43) Date of publication of application:  
**07.06.2006 Bulletin 2006/23**

(73) Proprietor: **ENGELHARD CORPORATION**  
**Iselin, NJ 08830-0770 (US)**

(72) Inventors:  
• **PATCHETT, Joseph, Allan**  
**Basking Ridge, NJ 07920 (US)**

• **DETLING, Joseph, Charles**  
**Howell, NJ 07731 (US)**  
• **PRZYBYLSKI, Elizabeth, Alina**  
**Edison, NJ 08837 (US)**

(74) Representative: **Fisher, Adrian John et al**  
**CARPMAELS & RANSFORD**  
**43-45 Bloomsbury Square**  
**London WC1A 2RA (GB)**

(56) References cited:  
**EP-A- 1 203 611 WO-A-99/39809**  
**US-A- 5 516 497 US-A1- 2003 044 520**  
**US-A1- 2003 101 714**

**EP 1 663 458 B1**

Note: Within nine months of the publication of the mention of the grant of the European patent in the European Patent Bulletin, any person may give notice to the European Patent Office of opposition to that patent, in accordance with the Implementing Regulations. Notice of opposition shall not be deemed to have been filed until the opposition fee has been paid. (Art. 99(1) European Patent Convention).

**Description**

**[0001]** The present invention relates to an emission treatment system having an oxidation catalyst upstream of a soot filter coated with a material effective in the Selective Catalytic Reduction (SCR) of NO<sub>x</sub> by a reductant, e.g., ammonia. In one embodiment, the system provides an effective method of simultaneously remediating the nitrogen oxides (NO<sub>x</sub>), particulate matter, and gaseous hydrocarbons present in diesel engine exhaust streams.

**[0002]** Diesel engine exhaust is a heterogeneous mixture which contains not only gaseous emissions such as carbon monoxide ("CO"), unburned hydrocarbons ("HC") and nitrogen oxides ("NO<sub>x</sub>"), but also condensed phase materials (liquids and solids) which constitute the so-called particulates or particulate matter. Often, catalyst compositions and substrates on which the compositions are disposed are provided in diesel engine exhaust systems to convert certain or all of these exhaust components to innocuous components. For example, diesel exhaust systems can contain one or more of a diesel oxidation catalyst, a soot filter and a catalyst for the reduction of NO<sub>x</sub>.

**[0003]** Oxidation catalysts that contain platinum group metals, base metals and combinations thereof are known to facilitate the treatment of diesel engine exhaust by promoting the conversion of both HC and CO gaseous pollutants and some proportion of the particulate matter through oxidation of these pollutants to carbon dioxide and water. Such catalysts have generally been contained in units called diesel oxidation catalysts (DOC's), which are placed in the exhaust of diesel engines to treat the exhaust before it vents to the atmosphere. In addition to the conversions of gaseous HC, CO and particulate matter, oxidation catalysts that contain platinum group metals (which are typically dispersed on a refractory oxide support) also promote the oxidation of nitric oxide (NO) to NO<sub>2</sub>.

**[0004]** The total particulate matter emissions of diesel exhaust are comprised of three main components. One component is the solid, dry, solid carbonaceous fraction or soot fraction. This dry carbonaceous matter contributes to the visible soot emissions commonly associated with diesel exhaust. A second component of the particulate matter is the soluble organic fraction ("SOF"). The soluble organic fraction is sometimes referred to as the volatile organic fraction ("VOF"); which terminology will be used herein. The VOF can exist in diesel exhaust either as a vapor or as an aerosol (fine droplets of liquid condensate) depending on the temperature of the diesel exhaust. It is generally present as condensed liquids at the standard particulate collection temperature of 52 °C in diluted exhaust, as prescribed by a standard measurement test, such as the U.S. Heavy Duty Transient Federal Test Procedure. These liquids arise from two sources: (1) lubricating oil swept from the cylinder walls of the engine each time the pistons go up and down; and (2) unburned or partially burned diesel fuel.

**[0005]** The third component of the particulate matter is the so-called sulfate fraction. The sulfate fraction is formed from small quantities of sulfur components present in the diesel fuel. Small proportions of SO<sub>3</sub> are formed during combustion of the diesel, which in turn combines rapidly with water in the exhaust to form sulfuric acid. The sulfuric acid collects as a condensed phase with the particulates as an aerosol, or is adsorbed onto the other particulate components, and thereby adds to the mass of TPM.

**[0006]** One key aftertreatment technology in use for high particulate matter reduction is the diesel particulate filter. There are many known filter structures that are effective in removing particulate matter from diesel exhaust, such as honeycomb wall flow filters, wound or packed fiber filters, open cell foams, sintered metal filters, for example. However, ceramic wall flow filters, described below, receive the most attention. These filters are capable of removing over 90% of the particulate material from diesel exhaust. The filter is a physical structure for removing particles from exhaust, and the accumulating particles will increase the back pressure from the filter on the engine. Thus the accumulating particles have to be continuously or periodically burned out of the filter to maintain an acceptable back pressure. Unfortunately, the carbon soot particles require temperatures in excess of 500°C to burn under oxygen rich (lean) exhaust conditions. This temperature is higher than what is typically present in diesel exhaust.

**[0007]** Provisions are generally introduced to lower the soot burning temperature in order to provide for passive regeneration of the filter. The presence of a catalyst promotes soot combustion, thereby regenerating the filters at temperatures accessible within the diesel engine's exhaust under realistic duty cycles. In this way a catalyzed soot filter (CSF) or catalyzed diesel particulate filter (CDPF) is effective in providing for >80% particulate matter reduction along with passive burning of the accumulating soot, and thereby promoting filter regeneration.

**[0008]** Future emissions standards adopted throughout the world will also address NO<sub>x</sub> reductions from diesel exhaust. A proven NO<sub>x</sub> abatement technology applied to stationary source with lean exhaust conditions is Selective Catalytic Reduction (SCR). In this process, NO<sub>x</sub> is reduced with ammonia (NH<sub>3</sub>) to nitrogen (N<sub>2</sub>) over a catalyst typically composed of base metals. The technology is capable of NO<sub>x</sub> reduction greater than 90%, and thus it represents one of the best approaches for achieving aggressive NO<sub>x</sub> reduction goals. SCR is under development for mobile applications, with urea (typically present in an aqueous solution) as the source of ammonia. SCR provides efficient conversions of NO<sub>x</sub> as long as the exhaust temperature is within the active temperature range of the catalyst.

**[0009]** While separate substrates each containing catalysts to address discrete components of the exhaust can be provided in an exhaust system, use of fewer substrates is desirable to reduce the overall size of the system, to ease the assembly of the system, and to reduce the overall cost of the system. One approach to achieve this goal is to coat the

soot filter with a catalyst composition effective for the conversion of NO<sub>x</sub> to innocuous components. With this approach, the catalyzed soot filter assumes two catalyst functions: removal of the particulate component of the exhaust stream and conversion of the NO<sub>x</sub> component of the exhaust stream to N<sub>2</sub>.

5 [0010] Coated soot filters that can achieve NO<sub>x</sub> reduction goals require a sufficient loading of SCR catalyst composition on the soot filter. The gradual loss of the catalytic effectiveness of the compositions that occurs over time through exposure to certain deleterious components of the exhaust stream augments the need for higher catalyst loadings of the SCR catalyst composition. However, preparation of coated soot filters with higher catalyst loadings can lead to unacceptably high back pressure within the exhaust system. Coating techniques that allow higher catalyst loadings on the wall flow filter, yet still allow the filter to maintain flow characteristics that achieve acceptable back pressures are therefore desirable.

10 [0011] An additional aspect for consideration in coating the wall flow filter is the selection of the appropriate SCR catalyst composition. First, the catalyst composition must be durable so that it maintains its SCR catalytic activity even after prolonged exposure to higher temperatures that are characteristic of filter regeneration. For example, combustion of the soot fraction of the particulate matter often leads to temperatures above 700 °C. Such temperatures render many commonly used SCR catalyst compositions such as mixed oxides of vanadium and titanium less catalytically effective. Second, the SCR catalyst compositions preferably have a wide enough operating temperature range so that they can accommodate the variable temperature ranges over which the vehicle operates. Temperatures below 300 °C are typically encountered, for example, at conditions of low load, or at startup. The SCR catalyst compositions are preferably capable of catalyzing the reduction of the NO<sub>x</sub> component of the exhaust to achieve NO<sub>x</sub> reduction goals, even at lower exhaust temperatures.

20 [0012] The prior art contains descriptions of the use of SCR catalyst compositions, soot filters and combinations thereof for the abatement of both the NO<sub>x</sub> and particulate components of diesel exhaust. These references are described below.

25 [0013] Japanese Kokai 3-130522, for example, discloses the treatment of diesel exhaust gases characterized by use of an ammonia injector and porous ceramic filter having a denitration catalyst within the pores. The filter is installed in the wake of the diesel engine exhaust. The ceramic porous filter comprises an upstream fine pore path layer, and a downstream side course ceramic particle layer on which the denitration catalyst was supported. The fine layer can support a platinum or palladium or other hydrocarbon combustion catalyst. The diesel exhaust gas containing unburned carbon flows through the porous ceramic filter and the carbon particles are filtered onto the surface. The gas containing nitric oxides and the ammonia passes through the denitration catalyst containing side of the filter and the nitric oxides are reduced to nitrogen and water. The oxidation catalyst on the upstream side causes the particulate component to burn off catalytically.

30 [0014] United States Patent No. 4,912,776 discloses an oxidation catalyst, an SCR catalyst downstream and adjacent to the SCR catalyst, and a reductant source introduced to the exhaust stream between the oxidation catalyst and the SCR catalyst. Providing a higher feed containing a high proportion of NO<sub>2</sub> to NO to the SCR reactor is said to allow the use of lower temperatures and higher space velocities than is possible with a feed of NO.

35 [0015] WO 99/39809 discloses a system for treating combustion exhaust gas containing NO<sub>x</sub> and particulates that has an oxidation catalyst effective to convert at least a portion of the NO in the NO<sub>x</sub> to NO<sub>2</sub>, a particulate trap, a source of reductant fluid and an SCR catalyst. The particulate trap is downstream of the oxidation catalyst; the reductant fluid source is downstream of the particulate trap; and the SCR catalyst is downstream of the reductant fluid source. Reductant fluids disclosed include ammonia, urea, ammonium carbamate and hydrocarbons (e.g., diesel fuel).

40 [0016] A catalytic wall flow filter for an exhaust system of a combustion engine is described in WO 01/12320. The wall flow filter has channels that are in honeycomb arrangement, where some of the channels are blocked at the upstream end and some of the channels that are unblocked at the upstream end are blocked at the downstream end. An oxidation catalyst is disposed on a gas impermeable zone at an upstream end of channels that are blocked at the downstream end. The filter has a gas permeable filter zone that is downstream of the oxidation catalyst that is for trapping soot. The oxidation catalyst is described to be capable (when in an exhaust system) of generating NO<sub>2</sub> from NO to combust the trapped soot continuously at temperatures below 400 °C. The oxidation catalyst preferably includes a platinum group metal. Exhaust streams containing NO are initially passed over the oxidation catalyst to convert NO to NO<sub>2</sub> prior to filtering to remove soot. The exhaust gas then containing NO<sub>2</sub> is used to combust the soot trapped on the filter.

45 [0017] In some embodiments of the wall flow filter described in WO 01/12320 the downstream channels of the soot filter contain a catalyst for a NO<sub>x</sub> absorber and an SCR catalyst downstream of the NO<sub>x</sub> absorber. The SCR catalyst can be a copper-based material, platinum, a mixed oxide of vanadium and titania or a zeolite, or mixtures of two or more thereof.

## 55 Summary of the Invention

[0018] In one aspect, the invention relates to an emission treatment system for treatment of an exhaust stream that contains NO<sub>x</sub> and particulate matter. The emission treatment system includes an oxidation catalyst, an injector that

periodically meters ammonia or an ammonia precursor into the exhaust stream; and a wall flow monolith. The injector is in fluid communication with the oxidation catalyst, and is positioned downstream of the oxidation catalyst. The wall flow monolith contains an SCR catalyst composition, is in fluid communication with the injector, and is positioned downstream of the injector.

**[0019]** The wall flow monolith has a plurality of longitudinally extending passages formed by longitudinally extending walls bounding and defining said passages. The passages include inlet passages that have an open inlet end and a closed outlet end, and outlet passages that have a closed inlet end and an open outlet end. The wall flow monolith contains an SCR catalyst composition that permeates the walls at a concentration of at least 79.26 g/l (1.3/in<sup>3</sup>) (and preferably from 97.56 to 46.34g/l (1.6 to 2.4 g/in<sup>3</sup>)). The wall flow monolith has a wall porosity of at least 50% with an average pore size of at least 5 microns. Preferably, the SCR catalyst composition permeates the walls of the wall flow monolith so that the walls have a wall porosity of from 50 to 75% with an average pore size of from 5 to 30 microns.

**[0020]** In a preferred embodiment of the emission treatment system, the SCR catalyst composition contains a zeolite and base metal component selected from one or more of a copper and iron component. Preferably, the base metal component is a copper component. Preferred zeolites of the SCR catalyst composition have a silica to alumina ratio of at least about 10. For instance, a beta zeolite can be used in the SCR catalyst composition.

**[0021]** Among other things, the oxidation catalyst of the system is useful for combusting substantial portions of the particulate matter, and in particular, the VOF, entrained in the exhaust. In addition, a substantial portion of the NO in the NO<sub>x</sub> component is oxidized to NO<sub>2</sub> over the oxidation catalyst. In preferred embodiments, the oxidation catalyst is disposed on a honeycomb flow through monolith substrate or an open cell foam substrate. Preferably, the oxidation catalyst includes a platinum group metal component, and in particular, a platinum component. In some embodiments, the oxidation catalyst can also contain a zeolite component.

**[0022]** In another preferred embodiment of the emission treatment system, the system also has a diesel engine which is located upstream of, and in fluid communication with the oxidation catalyst.

**[0023]** Another aspect of the invention relates to a method for treating emissions produced in an exhaust stream that contains NO<sub>x</sub> and particulate matter. The method includes:

- (a) passing the exhaust stream through an oxidation catalyst wherein a substantial portion of NO is oxidized to NO<sub>2</sub> to provide an NO<sub>2</sub>-enriched exhaust stream;
- (b) metering at periodic intervals, ammonia or an ammonia precursor into the NO<sub>2</sub>-enriched exhaust stream; and,
- (c) subsequently passing the exhaust stream through a wall flow monolith wherein particulate matter is filtered and a substantial portion of NO<sub>x</sub> is reduced to N<sub>2</sub>.

**[0024]** Here again, the wall flow monolith has a plurality of longitudinally extending passages formed by longitudinally extending walls bounding and defining said passages. The passages include inlet passages that have an open inlet end and a closed outlet end, and outlet passages that have a closed inlet end and an open outlet end. The wall flow monolith contains an SCR catalyst composition that permeates the walls at a concentration of at least 79.26g/l (1.3 g/in<sup>3</sup>) (and preferably from 97.56 to 46.34g/l (1.6 to 2.4 g/in<sup>3</sup>)). The wall flow monolith has a wall porosity of at least 50% with an average pore size of at least 5 microns. Preferably, the SCR catalyst composition permeates the walls of the wall flow monolith so that the walls have a wall porosity of from 50 to 75% with an average pore size of from 5 to 30 microns.

**[0025]** In another aspect, the invention relates to a method for disposing an SCR catalyst composition on a wall flow monolith. The method includes:

- (a) immersing the wall flow monolith in an aqueous slurry comprising the SCR catalyst composition from a first direction to deposit the SCR catalyst composition on the inlet passages;
- (b) removing excess slurry from the inlet passages by forcing a compressed gas stream through the outlet passages and applying a vacuum to the inlet passages;
- (c) immersing the wall flow monolith in the aqueous slurry from a second direction, opposite the first direction, to deposit the SCR catalyst composition on the outlet passages;
- (d) removing excess slurry from the outlet passages by forcing a compressed gas stream through the inlet passages and applying a vacuum to the outlet passages; and
- (e) drying and calcining the coated wall flow monolith.

**[0026]** The wall flow monolith used in the method has a porosity of at least 50% (e.g., from 50 to 75%) having a mean pore size of at least 5 microns (e.g., from 5 to 30 microns).

**[0027]** The SCR catalyst composition permeates the walls at a concentration of at least 79.26g/l (1.3 g/in<sup>3</sup>) (and preferably from 97.56 to 46.34 g/l (1.6 to 2.4 g/in<sup>3</sup>)).

**Brief Description of the Drawings****[0028]**

5            Figures 1A and 1B are schematic depictions of two embodiments of the emission treatment system of the invention. Figure 2 shows a perspective view of a wall flow filter substrate. Figure 3 shows a cutaway view of a section of a wall flow filter substrate. Figure 4 shows an embodiment of the emission treatment system of the invention that includes a urea reservoir and injector.

10            Figure 5 shows the pressure drop as a function of the air flow for several coated wall flow filter substrates and an uncoated wall flow filter substrate. Figure 6 is a plot of the DTA signal in microvolts as a function of temperature for two SCR catalyst compositions mixed with a model particulate mass (carbon black and lube oil). Figure 7 is a schematic depiction of a laboratory bench system used to evaluate NO<sub>x</sub> and particulate reduction for

15            an exemplary emission treatment system of the invention.

**Detailed Description of the Invention**

20            **[0029]** The invention relates to an emission treatment system that effectively provides simultaneous treatment of the particulate matter, the NO<sub>x</sub> and other gaseous components of diesel engine exhaust. The emission treatment system uses an integrated soot filter and SCR catalyst to significantly minimize the weight and volume required for the emissions system. Moreover, due to the choice of catalytic compositions implemented in the system, effective pollutant abatement is provided for exhaust streams of varying temperatures. This feature is advantageous for operating diesel vehicles under varying loads and vehicle speeds which significantly impact exhaust temperatures emitted from the engines of

25            such vehicles.

30            **[0030]** Integration of NO<sub>x</sub> reduction and particulate removal functions into a single catalyst article is accomplished using a wall flow substrate coated with an SCR catalyst composition. Applicants have found a method for applying an SCR catalyst composition to a wall flow substrate to form a substrate that can be used in an application where high filtration efficiency is required. For instance, a substrate formed with this method is suitable for effectively removing particulate matter (e.g., greater than 80%) in the emission treatment system of the invention. The coating method disclosed herein allows wall flow substrates to be loaded with practical levels of SCR catalyst without causing excessive back pressure across the coated article when implemented in emission treatment systems.

35            **[0031]** Achieving practical levels of SCR catalyst composition on the wall flow substrate is important for providing sufficient catalytic activity to achieve mandated NO<sub>x</sub> reduction levels, and for lowering the combustion temperature of the soot fraction trapped on the filter. Achieving adequate levels of SCR washcoat compositions on the soot filter is also important to secure adequate durability for the catalyst. Over extended use of the emission treatment system, catalysts are invariably exposed to various levels of catalyst poisons that may be derived through break down of lubricating oils, or may arise from impurities in the diesel fuel. Examples of such catalyst poisons include phosphorus, zinc, alkali and alkaline earth elements. Higher levels of catalyst compositions are therefore typically deposited on catalyst substrates

40            to overcome the inevitable loss of catalytic activity.

45            **[0032]** One embodiment of the inventive emission treatment system is schematically depicted in Figure 1A. As can be seen in Figure 1A, the exhaust containing gaseous pollutants (including unburned hydrocarbons, carbon monoxide and NO<sub>x</sub>) and particulate matter is conveyed from the engine 15 to an oxidation catalyst 11. In the oxidation catalyst 11, unburned gaseous and non-volatile hydrocarbons (i.e., the VOF) and carbon monoxide are largely combusted to form carbon dioxide and water. Removal of substantial proportions of the VOF using the oxidation catalyst, in particular, helps prevent too great a deposition of particulate matter on the soot filter 12 (i.e., clogging), which is positioned downstream in the system. In addition, a substantial proportion of the NO of the NO<sub>x</sub> component is oxidized to NO<sub>2</sub> in the oxidation catalyst.

50            **[0033]** Downstream of the oxidation catalyst a reductant, in this case ammonia, is injected as a spray via a nozzle (not shown) into the exhaust stream. Aqueous urea shown on one line 18 can serve as the ammonia precursor which can be mixed with air on another line 19 in a mixing station 16. Valve 14 can be used to meter precise amounts of aqueous urea which are converted in the exhaust stream to ammonia. The exhaust stream with the added ammonia is conveyed to the soot filter 12 which is coated with an SCR catalyst composition. On passing through the soot filter, the NO<sub>x</sub> component is converted through the selective catalytic reduction of NO<sub>x</sub> with ammonia to nitrogen. The increased

55            proportion of NO<sub>2</sub> in the NO<sub>x</sub> due to the catalytic action of the upstream oxidation catalyst facilitates the reduction of the NO<sub>x</sub> as compared to exhaust streams containing smaller proportions of NO<sub>2</sub> in the NO<sub>x</sub> component.

**[0034]** Depending on the desired level of NO<sub>x</sub> removal, additional SCR catalyst can be disposed downstream of the soot filter. For example, the additional SCR catalyst may be disposed on a monolithic, honeycomb flow through substrate

or ceramic foam substrate downstream of the soot filter. Even in these embodiments, the use of the coated SCR soot filter still achieves a reduction in the total volume of catalyst required to meet NO<sub>x</sub> reduction goals.

5 [0035] The particulate matter including the soot fraction and the VOF are also largely removed (greater than 80%) by the soot filter. The particulate matter deposited on the soot filter is combusted through the regeneration of the filter, which process is also aided by the presence of the SCR catalyst composition. The temperature at which the soot fraction of the particulate matter combusts is lowered by the presence of the catalyst composition disposed on the soot filter.

10 [0036] An optional configuration is shown in Figure 1B where the emission treatment system is provided with a slip oxidation catalyst 13 downstream of the coated soot filter 12. The slip oxidation catalyst can be coated, for example, with a composition containing base metals and less than 0.5 wt% of platinum. This provision can be used to oxidize any excess NH<sub>3</sub> before it is vented to the atmosphere.

15 [0037] Suitable SCR catalyst compositions for use in the system are able to effectively catalyze the reduction of the NO<sub>x</sub> component at temperatures below 600 C, so that adequate NO<sub>x</sub> levels can be treated even under conditions of low load which typically are associated with lower exhaust temperatures. Preferably, the catalyst article is capable of converting at least 50% of the NO<sub>x</sub> component to N<sub>2</sub>, depending on the amount of reductant added to the system. In addition, SCR catalyst compositions for use in the system are also ideally able to aid in the regeneration of the filter by lowering the temperature at which the soot fraction of the particulate matter is combusted. Another desirable attribute for the composition is that it possess the ability catalyze the reaction of O<sub>2</sub> with any excess NH<sub>3</sub> to N<sub>2</sub> and H<sub>2</sub>O, so that NH<sub>3</sub> is not emitted to the atmosphere.

20 [0038] Useful SCR catalyst compositions used in the inventive system also have thermal resistance to temperatures greater than 650 °C. Such high temperatures are often encountered during the regeneration of soot filters. Additionally, SCR catalyst compositions should resist degradation upon exposure to sulfur components, which are often present in diesel exhaust gas compositions.

25 [0039] Suitable SCR catalyst compositions are described, for instance, in United States Patent No.'s 4,961,917 (the '917 patent) and 5,516,497. Compositions disclosed in the '917 patent include one or both of an iron and a copper promoter present in a zeolite in an amount of from about 0.1 to 30 percent by weight, preferably from about 1 to 5 percent by weight, of the total weight of promoter plus zeolite. In addition to their ability to catalyze the reduction of NO<sub>x</sub> with NH<sub>3</sub> to N<sub>2</sub>, the disclosed compositions can also promote the oxidation of excess NH<sub>3</sub> with O<sub>2</sub>, especially for those compositions having higher promoter concentrations.

30 [0040] Zeolites used in such compositions are resistant to sulfur poisoning, sustain a high level of activity for the SCR process, and are capable of oxidation of excess ammonia with oxygen. These zeolites have pore size large enough to permit adequate movement of the reactant molecules NO and NH<sub>3</sub> in to, and the product molecules N<sub>2</sub> and H<sub>2</sub>O out of, the pore system in the presence of sulfur oxide molecules resulting from short term sulfur poisoning, and/or sulfate deposits resulting from long term sulfur poisoning. The pore system of suitable size is interconnected in all three crystallographic dimensions. As is well known to the those skilled in the zeolite art, the crystalline structure of zeolites exhibits a complex pore structure having more or less regularly recurring connections, or intersections, for example. Pores having a particular characteristic, such as a given dimension diameter or cross-sectional configuration, are said to be one dimensional if those pores do not intersect with other like pores. If the pores intersect only within a given plane with other like pores, the pores of that characteristic are said to be interconnected in two (crystallographic) dimensions. If the pores intersect with other like pores lying both in the same plane and in other planes, such like pores are said to be interconnected in three dimensions, i.e., to be "three dimensional". It has been found that zeolites which are highly resistant to sulfate poisoning and provide good activity for both the SCR process and the oxidation of ammonia with oxygen, and which retain good activity even when subject to high temperatures, hydrothermal conditions and sulfate poisons, are zeolites which have pores which exhibit a pore diameter of at least about 7 Angstroms and are interconnected in three dimensions. Without wishing to be bound by any specific theory, it is believed that the interconnection of pores of at least 7 Angstroms diameter in three dimensions provides for good mobility of sulfate molecules throughout the zeolite structure, thereby permitting the sulfate molecules to be released from the catalyst to free a large number of the available adsorbent sites for reactant NO<sub>x</sub> and NH<sub>3</sub> molecules and reactant NH<sub>3</sub> and O<sub>2</sub> molecules. Any zeolites meeting the foregoing criteria are suitable for use in the practices of the present invention; specific zeolites which meet these criteria are USY, Beta and ZSM-20. Other zeolites may also satisfy the aforementioned criteria.

40 [0041] When deposited on the wall flow monolith substrates, such SCR catalyst compositions are deposited at a concentration of at least 79.26 g/l (1.3 g/in<sup>3</sup>) to ensure that the desired NO<sub>x</sub> reduction and particulate removal levels are achieved and to secure adequate durability of the catalyst over extended use. In a preferred embodiment, there is at least 97.56 g/l (1.6 g/in<sup>3</sup>) of SCR composition, and in particular 95.76 to (46.34 g/l) (1.6 to 2.4 g/in<sup>3</sup>) disposed on the wall flow monolith.

55 [0042] Wall flow substrates useful for supporting the SCR catalyst compositions have a plurality of fine, substantially parallel gas flow passages extending along the longitudinal axis of the substrate. Typically, each passage is blocked at one end of the substrate body, with alternate passages blocked at opposite end-faces. Such monolithic carriers may contain up to about 700 or more flow passages (or "cells") per square inch or 108.5 cells/cm<sup>2</sup> of cross section, although

far fewer may be used. For example, the carrier have from about 7 to 600 or 1.08 to 93.02 cells/cm<sup>2</sup> more usually from about 100 to 400 or 15.5 to 62 cells/cm<sup>2</sup> cells per square inch ("cps"). The cells can have cross sections that are rectangular, square, circular, oval, triangular, hexagonal, or are of other polygonal shapes. Wall flow substrates typically have a wall thickness between 0.05 to 2.54 mm between (0.002 and 0.1 inches). Preferred wall flow substrates have a wall thickness of between 0.05 to 0.38 mm (0.002 and 0.015 inches).

**[0043]** Figures 2 and 3 illustrate a wall flow filter substrate 30 which has a plurality of passages 52. The passages are tubularly enclosed by the internal walls 53 of the filter substrate. The substrate has an inlet end 54 and an outlet end 56. Alternate passages are plugged at the inlet end with inlet plugs 58, and at the outlet end with outlet plugs 60 to form opposing checkerboard patterns at the inlet 54 and outlet 56. A gas stream 62 enters through the unplugged channel inlet 64, is stopped by outlet plug 60 and diffuses through channel walls 53 (which are porous) to the outlet side 66. The gas cannot pass back to the inlet side of walls because of inlet plugs 58.

**[0044]** Preferred wall flow filter substrates are composed of ceramic-like materials such as cordierite,  $\alpha$ -alumina, silicon carbide, silicon nitride, zirconia, mullite, spodumene, alumina-silica-magnesia or zirconium silicate, or of porous, refractory metal. Wall flow substrates may also be formed of ceramic fiber composite materials. Preferred wall flow substrates are formed from cordierite and silicon carbide. Such materials are able to withstand the environment, particularly high temperatures, encountered in treating the exhaust streams.

**[0045]** Preferred wall flow substrates for use in the inventive system include thin porous walled honeycombs (monolith) through which the fluid stream passes without causing too great an increase in back pressure or pressure across the article. Normally, the presence of a clean wall flow article will create a back pressure of 249 to 68900 Pa of (1 inch water column to 10 psig). Ceramic wall flow substrates used in the system are preferably formed of a material having a porosity of at least 50% (e.g., from 50 to 75%) having a mean pore size of at least 5 microns (e.g., from 5 to 30 microns). More preferably, the substrates have a porosity of at least 55% and have a mean pore size of at least 10 microns. When substrates with these porosities and these mean pore sizes are coated with the techniques described below, adequate levels of SCR catalyst compositions can be loaded onto the substrates to achieve excellent NO<sub>x</sub> conversion efficiency. These substrates are still able retain adequate exhaust flow characteristics, i.e., acceptable back pressures, despite the SCR catalyst loading. United States Patent No. 4,329,162 disclosures of suitable wall flow-substrates.

**[0046]** Typical wall flow filters in commercial use are typically formed with lower wall porosities, e.g., from about 35% to 50%, than the wall flow filters utilized in the invention. In general, the pore size distribution of commercial wall flow filters is typically very broad with a mean pore size smaller than 17 microns.

**[0047]** The porous wall flow filter used in this invention is catalyzed in that the wall of said element has thereon or contained therein one or more catalytic materials. Catalytic materials may be present on the inlet side of the element wall alone; the outlet side alone, both the inlet and outlet sides, or the wall itself may consist all, or in part, of the catalytic material. This invention includes the use of one or more layers of catalytic materials and combinations of one or more layers of catalytic materials on the inlet and/or outlet walls of the element.

**[0048]** To coat the wall flow substrates with the SCR catalyst composition, the substrates are immersed vertically in a portion of the catalyst slurry such that the top of the substrate is located just above the surface of the slurry. In this manner slurry contacts the inlet face of each honeycomb wall, but is prevented from contacting the outlet face of each wall. The sample is left in the slurry for about 30 seconds. The substrate is removed from the slurry, and excess slurry is removed from the wall flow substrate first by allowing it to drain from the channels, then by blowing with compressed air (against the direction of slurry penetration), and then by pulling a vacuum from the direction of slurry penetration. By using this technique, the catalyst slurry permeates the walls of the substrate, yet the pores are not occluded to the extent that undue back pressure will build up in the finished substrate. As used herein, the term "permeate" when used to describe the dispersion of the catalyst slurry on the substrate, means that the catalyst composition is dispersed throughout the wall of the substrate.

**[0049]** The coated substrates are dried typically at about 100°C and calcined at a higher temperature (e.g., 300 to 450°C). After calcining, the catalyst loading can be determined through calculation of the coated and uncoated weights of the substrate. As will be apparent to those of skill in the art, the catalyst loading can be modified by altering the solids content of the coating slurry. Alternatively, repeated immersions of the substrate in the coating slurry can be conducted, followed by removal of the excess slurry as described above.

**[0050]** A reductant dosing system is provided upstream of the soot filter and downstream of the oxidation catalyst to inject a NO<sub>x</sub> reductant into the exhaust stream. As disclosed in United States Patent No. 4,963,332, NO<sub>x</sub> upstream and downstream of the catalytic converter can be sensed, and a pulsed dosing valve can be controlled by the upstream and downstream signals. In alternative configurations, the systems disclosed in United States Patent No. 5,522,218, where the pulse width of the reductant injector is controlled from maps of exhaust gas temperature and engine operating conditions such as engine rpm, transmission gear and engine speed. Reference is also made to the discussion of reductant pulse metering systems in United States Patent No. 6,415,602.

**[0051]** In the embodiment of Figure 4, an aqueous urea reservoir 22 stores a urea/water solution aboard the vehicle which is pumped through a pump 21 including a filter and pressure regulator to a urea injector 16. Urea injector 16 is a

mixing chamber which receives pressure regulated air on line 19 which is pulsed by a control valve to urea injector 16. An atomized urea/water/air solution results which is pulse injected through a nozzle 23 into exhaust pipe 24 upstream of the integrated SCR catalyst coated soot filter 12.

**[0052]** This invention is not limited to the aqueous urea metering arrangement shown in Figure 4. It is contemplated that a gaseous nitrogen based reagent will be utilized. For example, a urea or cyanuric acid prill injector can meter solid pellets of urea to a chamber heated by the exhaust gas to gasify the solid reductant (sublimation temperature range of about 300 to 400 °C). Cyanuric acid will gasify to isocyanic acid (HNCO) and urea will gasify to ammonia and HNCO. With either reductant, a hydrolysis catalyst can be provided in the chamber and a slip stream of the exhaust gas metered into the chamber (the exhaust gas contains sufficient water vapor) to hydrolyze (temperatures of about 150 to 350°C) HNCO to produce ammonia.

**[0053]** In addition to urea and cyanuric acid, other nitrogen based reducing reagents or reductants especially suitable for use in the control system of the present invention includes ammelide, ammeline, ammonium cyanate, biuret, cyanuric acid, ammonium carbamate, melamine, tricyanurea, and mixtures of any number of these. However, the invention in a broader sense is not limited to nitrogen based reductants but can include any reductant containing hydrocarbons such as distillate fuels including alcohols, ethers, organo-nitro compounds and the like (e.g., methanol, ethanol, diethyl ether, etc.) and various amines and their salts (especially their carbonates), including guanidine, methyl amine carbonate, hexamethylamine, etc.

**[0054]** Upstream of the reductant dosage system is an oxidation catalyst (or DOC). The oxidation catalyst can be formed from any composition that provides effective combustion of unburned gaseous and non-volatile hydrocarbons (i.e., the VOF) and carbon monoxide. In addition, the oxidation catalyst should be effective to convert a substantial proportion of the NO of the NO<sub>x</sub> component to NO<sub>2</sub>. As used herein, the term "substantial conversion of NO of the NO<sub>x</sub> component to NO<sub>2</sub>" means at least 20%, and preferably between 30 and 60%. Catalyst compositions having these properties are known in the art, and include platinum group metal- and base metal-based compositions. The catalyst compositions can be coated onto honeycomb flow-through monolith substrates formed of refractory metallic or ceramic (e.g., cordierite) materials. Alternatively, oxidation catalysts may be formed on to metallic or ceramic foam substrates which are well-known in the art. These oxidation catalysts, by virtue of the substrate on which they are coated (e.g., open cell ceramic foam), and / or by virtue of their intrinsic oxidation catalytic activity provide some level of particulate removal. Preferably, the oxidation catalyst removes some of the particulate matter from the exhaust stream upstream of the wall flow filter, since the reduction in the particulate mass on the filter potentially extends the time before forced regenerations.

**[0055]** One preferred oxidation catalyst composition that may be used in the emission treatment system contains a platinum group component (e.g., platinum, palladium or rhodium components) dispersed on a high surface area, refractory oxide support (e.g.,  $\gamma$ -alumina) which is combined with a zeolite component (preferably a beta zeolite). A preferred platinum group metal component is platinum. When the composition is disposed on a refractory oxide substrate, e.g., a flow through honeycomb substrate, the concentration of platinum is typically from about 0.35 to 4.24 g/l (10 to 120 g/ft<sup>3</sup>) of platinum.

**[0056]** Platinum group metal-based compositions suitable for use in forming the oxidation catalyst are also described in United States Patent No. 5,100,632 (the '632 patent). The '632 patent describes compositions that have a mixture of platinum, palladium, rhodium, and ruthenium and an alkaline earth metal oxide such as magnesium oxide, calcium oxide, strontium oxide, or barium oxide with an atomic ratio between the platinum group metal and the alkaline earth metal of about 1:250 to about 1:1, and preferably about 1:60 to about 1:6.

**[0057]** Catalyst compositions suitable for the oxidation catalyst may also be formed using base metals as catalytic agents. For example, United States Patent No. 5,491,120 discloses oxidation catalyst compositions that include a catalytic material having a BET surface area of at least about 10 m<sup>2</sup>/g and consist essentially of a bulk second metal oxide which may be one or more of titania, zirconia, ceria-zirconia, silica, alumina-silica, and  $\alpha$ -alumina.

**[0058]** Also useful are the catalyst compositions disclosed in United State Patent No. 5,462,907 (the '907 patent). The '907 patent teaches compositions that include a catalytic material containing ceria and alumina each having a surface area of at least about 10 m<sup>2</sup>/g, for example, ceria and activated alumina in a weight ratio of from about 1:5:1 to 1:1.5. Optionally, platinum may be included in the compositions described in the '907 patent in amounts effective to promote gas phase oxidation of CO and unburned hydrocarbons but which are limited to preclude excessive oxidation of SO to SO<sub>2</sub>. Alternatively, palladium in any desired amount may be included in the catalytic material.

**[0059]** The following examples further illustrate the present invention, but of course, should not be construed as in any way limiting its scope.

#### Example 1 - Coating of Ceramic Wall Flow Filters

**[0060]** Cordierite ceramic wall flow filter substrates (product name C611, NGK Insulators, Ltd.) having dimensions of 14.4x15.2cm (5.66 x 6 inches), a wall thickness of 0.305 mm (0.012 in), an average pore size of 25 microns and 60%

wall porosity were used to prepare catalyst-coated soot filters.

**[0061]** A catalyst slurry containing 27% by weight solids content was formed from copper-exchanged beta zeolite (containing 2 wt.% of copper), additional  $\text{CuSO}_4$  (sufficient to provide 9.5 wt.% of copper), and 7 wt.%  $\text{ZrO}_2$  and de-ionized water (wt.% based on the weight of the beta zeolite). The copper-exchanged beta zeolite was prepared as in United States Patent No. 5,516,497.

**[0062]** An identical procedure was used to prepare two of the filter substrates according to a preferred embodiment of the invention. The wall flow substrate was:

(1) dipped into the slurry to a depth sufficient to coat the channels of the substrate along the entire axial length of the substrate from one direction;

(2) air-knifed the substrate from the side opposite the coating direction (i.e., the dry side);

(3) vacuumed from the coated side;

(4) dried at 93 °C for 1h in flowing air, and calcined at 400 °C for 1h.

(5) Steps (1) through (4) were then repeated from the opposite side.

**[0063]** These filter substrates (designated as Catalysts A1 and A2) contained a catalyst loading of 128 g/l of (2.1 g/in<sup>3</sup>). The amount of copper contained on these catalysts was approximately 12.2 g/l (0.2 g/in<sup>3</sup>).

**[0064]** Another filter substrate, designated as Catalyst B1, was prepared by coating a single side of the substrate only, following steps (1) through (4). To reach the same catalyst loading as Catalyst A1, the slurry solids content was increased to 38%. The composition of the catalyst remained the same. Catalyst B1 had a catalyst loading of 121.95 g/l (2.0 g/in<sup>3</sup>).

The amount of copper contained on this catalyst was also about 12.19 g/l (0.2 g/in<sup>3</sup>).

**[0065]** A reference sample, Catalyst D1, was prepared as a flow through type catalyst. To prepare a catalyst of this type, a filter substrate of the type described above was cut across its diameter at one end, just below the depth of the plugs. Thus, the wall flow filter was converted into a flow through substrate with effectively half the frontal area blocked. This substrate was coated to obtain a catalyst loading of 121.95 g/l (2.0 g/in<sup>3</sup>) of the copper-exchanged exchange beta zeolite catalyst composition.

#### Example 2 - Evaluation of Back Pressures for Coated Soot Filters

**[0066]** The pressure drop across the uncoated and coated filters was evaluated using the commercially available automated equipment, Super Flow SF 1020, (Probench). This equipment is designed specifically for measuring pressure drops as a function of air flow. Data from this equipment provides a plot of the pressure drop at ambient conditions as a function of the air flow. The pressure drop is a measure of how easily air flows through the filter. In diesel engine applications, lower pressure drops are desirable since the engine must expend power to move the air. Therefore, the larger the pressure drop, the greater the amount of engine power that is lost to pumping air. This lost power reduces the engine power that is available to the wheels.

**[0067]** Figure 6 summarizes the pressure drop across the coated filters, Catalyst A1, A2 and B1, as well as an uncoated filter of the identical dimensions. The filters coated according to Steps (1) through (5) of Example 1, i.e., Catalyst A1 and A2, showed a pressure drop that was about 25% higher than the uncoated filter. In contrast to Catalysts A1 and A2, the non-optimized filter, Catalyst B1, showed pressure drops that were greater than 100% higher than the uncoated filter after coating. The pressure drop exhibited by Catalyst B1 was so high that engine testing of this filter proved impossible. Although it is possible to achieve lower pressure drops across filter coated in the same manner as Catalyst B1 by reducing the catalyst loading, lower levels of SCR catalyst loading lead to unacceptable NOx reduction levels.

#### Example 3 - Demonstration of Particulate Removal by the SCR Catalyst

**[0068]** When applied to the wall flow filter, the catalyst composition should ideally aid in the regeneration of the filter. Therefore, the SCR catalyst composition disposed on the filter is preferably able to catalyze the oxidation of soot and VOF portions of the particulate. To be effective in reducing NOx and particulate mass the SCR catalyst should preferably not oxidize ammonia or  $\text{SO}_2$  to make  $\text{SO}_3$ . One way of evaluating a catalyst's ability to oxidize carbon and VOF is by the use of combined Thermal Gravimetric Analysis (TGA) and Differential Thermal Analysis (DTA). The TGA measures the weight loss of a sample while the DTA measures the change in sample's heat capacity versus a reference. In this experiment, a dried and calcined portion of the catalyst slurry was mixed with 6% by weight lube oil, to simulate the VOF portion of the lube, and 14% by weight carbon black, to simulate the soot fraction of the particulate. The mixture was

loaded into an instrument that conducts a combined TGA and DTA. Although different gas compositions can be passed across the sample, these tests were conducted in air. The system was heated at a known rate to determine the weight loss and heat evolution as a function of temperature. An advantage of the technique is its ability to separate the weight loss of various soot components, and relate these weight losses to thermal changes. Catalysts effective in burning soot will lower the onset temperature of the soot burning.

**[0069]** Figure 6 plots the DTA signal in microvolts as a function of temperature for two catalyst compositions; (1) a reference composition,  $\text{TiO}_2$ -10 wt.%  $\text{WO}_3$ -2 wt.%  $\text{V}_2\text{O}_5$  catalyst, and (2) the catalyst composition used to coat Catalyst A1. The  $\text{TiO}_2$ -based composition is typical of the current state of art in SCR catalysts and has wide application. Powders of dried and calcined slurry of each catalyst were mixed with 6% lube oil and 14% by weight carbon black. These samples were heated at a rate of 20 C per minute, in air, from room temperature to 800 C. The resulting DTA signal shows two peaks, one at temperatures below 400 C corresponding to the burning of the VOF, and the second peak at higher temperatures corresponding to the combustion of carbon black. Results show that both catalyst compositions were effective in burning the lube oil portion of the simulated particulate, but the preferred catalyst composition were much more effective in burning the carbon portion as evidenced by the lowering of the soot combustion temperature. As will be seen in later examples, this advantage is maintained without compromising the NOx reduction activity.

#### Example 4 - Evaluation of NOx Conversion and Particulate Removal for Coated Soot Filters

**[0070]** The filtration efficiency and simultaneous NOx reduction was determined using a prototype V6, 4L turbocharged after-cooled diesel engine that is representative of the current state of the art in diesel technology. The engine was mounted on a test stand operated at steady state to provide reproducible and stable emissions. The engine speed and load were controlled to provide a filter inlet temperature of 370 C and a NOx concentration of about 950 ppm. Particulate measurements were determined according to the procedures described in the Code of Federal Regulations, Title 40, Part 86, paragraph 1312-88, but instead of a full dilution tunnel, a mini-dilution tunnel was used. The dilution ratio was determined from the  $\text{CO}_2$  concentration. NOx removal on the diesel engine was achieved by injecting a urea solution after the oxidation catalyst and before the SCR coated filter substrate. The experimental arrangement is illustrated in Figure 7. NOx and ammonia were measured using a FTIR instrument equipped with a heated sampling line and analysis cell. NOx, CO and HC were also determined using a Horiba analysis bench, designed specially for the analysis of raw diesel exhaust.

**[0071]** Additional catalysts were prepared and aged for 1000 hours on a stationary diesel engine using an aging cycle that simulated passenger car driving. The aging cycle was an adaptation of the procedure described in "Durability Driving Schedule for Light Duty Vehicles and Light Duty Trucks" Code of Federal Regulations, Part 86 paragraph 836-01. The test cycle described therein specifies speeds and periodic stops for a vehicle driven around a test track. From previous work, the temperature profile of this cycle was measured, and then simulated on an engine bench. The aging and the evaluation used ARCO ECD diesel fuel. This fuel has a sulfur content of 12 ppm, consistent with the fuel expected to be available during the expected application of the technology.

**[0072]** Using the experimental configuration shown in Figure 7, the NOx conversion and particulate removal were determined for three catalyst substrates. As seen in Figure 7, the experimental configuration included a urea injector, upstream of the catalyzed soot filter, and an oxidation catalyst (DOC) upstream of the urea injector. To eliminate of any variation due to the DOC, all of the trials were conducted with the same DOC. The oxidation catalyst composition was disposed on a 14.4x15.2 cm (5.66x6 in) flow through cordierite substrate. The oxidation catalyst composition contained 3.18 g/l (90 g/ft<sup>3</sup>) dispersed on  $\gamma$ -alumina, and contained 27 wt.% hydrogen ion exchanged-beta zeolite. The DOC was aged 1000 hours.

**[0073]** In the trials conducted in this experiment, the SCR catalyst composition was disposed on either a wall flow monolith substrate or a flow through monolith substrate. The SCR catalyst composition was identical to that used to coat the substrates in Example 1, i.e., it contained a copper-exchanged zeolite with a zirconia binder. In particular, the substrates used in the experiment were: a fresh catalyst substrate prepared identically to Catalyst A1 in Example 1 (designated as Catalyst A1<sub>fresh</sub>); a separate catalyst substrate also coated identically to Catalyst A1, but aged 1000 hours (designated as Catalyst A1<sub>aged</sub>); and finally the third catalyst substrate which was of the flow through type, prepared identically to Catalyst D1 (designated as Catalyst D1<sub>fresh</sub>).

**[0074]** Table 1 below summarizes particulate filtration efficiency and NOx reduction for the three catalyst substrates. The filtration efficiency was determined with and without urea injection.

Table 1

| Trial # | Catalyst            | Substrate Type | NH <sub>3</sub> /NOx | % NOx NH <sub>3</sub> conv. ppm | Total Particulate Removal, % |     |
|---------|---------------------|----------------|----------------------|---------------------------------|------------------------------|-----|
| 1       | D1 <sub>fresh</sub> | flow through   | 0                    | <5                              | 0                            | <10 |

(continued)

| Trial # | Catalyst            | Substrate Type | NH <sub>3</sub> /NOx | % NOx NH <sub>3</sub> conv. ppm |   | Total Particulate Removal, % |
|---------|---------------------|----------------|----------------------|---------------------------------|---|------------------------------|
| 2       | D1 <sub>fresh</sub> | flow through   | 0.3                  | 30                              | 0 | <10                          |
| 3       | A1 <sub>fresh</sub> | wall flow      | 0                    | <5                              | 0 | 82                           |
| 4       | A1 <sub>fresh</sub> | wall flow      | 0.5                  | 51                              | 0 | 85                           |
| 5       | A1 <sub>aged</sub>  | wall flow      | 0                    | <5                              | 0 | 81                           |
| 6       | A1 <sub>aged</sub>  | wall flow      | 0.5                  | 55                              | 0 | 85                           |

**[0075]** As can be seen in Table 1, disposing the SCR catalyst composition on the wall flow monolith, did not cause a loss of NOx removal efficiency. Moreover, the filtration efficiency is unaffected by urea injection. While the SCR coated flow monolith provided NOx removal function, it lacked high filtration efficiency demonstrated by the coated, wall flow monoliths. Thus, these coated SCR filter substrates of the invention demonstrate integrated, high NOx and particulate removal efficiency.

**[0076]** Moreover the durability of the SCR catalyst composition is demonstrated by the data in Table 1. Aging the coated substrate caused neither a loss of filtration efficiency nor NOx removal efficiency.

**[0077]** While this invention has been described with an emphasis upon preferred embodiments, it will be obvious to those of ordinary skill in the art that variations in the preferred devices and methods may be used and that it is intended that the invention may be practiced otherwise than as specifically described herein. Accordingly, this invention includes all modifications encompassed within the scope of the invention as defined by the claims that follow.

## Claims

1. A catalyst article comprising a wall flow monolith having a plurality of longitudinally extending passages formed by longitudinally extending walls bounding and defining said passages, wherein the passages comprise inlet passages having an open inlet end and a closed outlet end, and outlet passages having a closed inlet end and an open outlet end, wherein the wall flow monolith comprises an SCR catalyst composition that permeates the walls at a concentration of at least 79.26 g/l (1.3 g/in<sup>3</sup>); wherein the wall flow monolith has a wall porosity of at least 50% with an average pore size of at least 5 microns.
2. The catalyst article of claim 1, wherein the wall flow monolith has a wall porosity of from 50 to 75% with an average pore size of from 5 to 30 microns.
3. The catalyst article of claim 1, wherein the SCR catalyst composition is in the form of a washcoat on the walls of the monolith.
4. The catalyst article of claim 1, wherein there is from 97.56-146.34 g/l (1.6 to 2.4 g/in<sup>3</sup>) of SCR catalyst composition disposed on the wall flow monolith.
5. The catalyst article of claim 1, wherein the SCR catalyst composition is effective to catalyze the reduction of NOx at a temperature below about 600° C and able to aid in regeneration of the filter by lowering the temperature at which soot captured by the filter is combusted.
6. The catalyst article of claim 1, wherein the SCR catalyst composition has a thermal resistance to degradation at temperatures greater than 650° C.
7. the catalyst article of claim 6, wherein the SCR catalyst composition is effective to resist degradation upon exposure to sulfur components.
8. The catalyst article of claim 1, wherein the SCR catalyst composition promotes the oxidation of excess NH<sub>3</sub> with O<sub>2</sub>.
9. The catalyst article of claim 1, wherein the SCR catalyst composition comprises a zeolite and base metal component selected from one or more of a copper and iron component.

10. The catalyst article of claim 9, wherein the base metal component is a copper component,
11. The catalyst article or claim 10, wherein the zeolite of the SCR catalyst composition has a silica to alumina ratio of at least about 10.
- 5 12. The article of claim 11, wherein the zeolite of the SCR catalysts composition is selected from beta zeolite, USY and ZSM-20.
- 10 13. The catalyst article of claim 11, wherein the zeolite of the SCR catalyst composition is a beta zeolites.
14. The catalyst article of claim 9, wherein the zeolite of the SCR catalyst composition has pores with a pore diameter of at least about 7 Angstroms and are connected in three dimensions.
- 15 15. The catalyst article of claim 9, wherein the SCR catalyst composition contains one or both of an iron and a copper promoter present in an amount of from about 0.1 to 30 percent by weight of the total weight of promoter plus zeolite.
16. The catalyst particle of claim 9, wherein the SCR catalyst composition contains one or both of an iron and a copper promoter present in an amount of from about 1 to 5 percent by weight of the total weight of promoter plus zeolite.
- 20 17. An emission treatment system for treatment of an exhaust stream comprising NO<sub>x</sub> and particulate matter, the emission treatment system comprising:
- a) an oxidation catalyst;
- b) an injector in fluid communication with and downstream of the oxidation catalyst, wherein the injector periodically meters ammonia or an ammonia precursor into the exhaust stream; and,
- 25 c) a wall flow monolith in fluid communication with and downstream of the injector, wherein the wall flow monolith has a plurality of longitudinally exuding passages formed by longitudinally extending walls bounding and defining said passages, wherein the passages comprise inlet passages having an open inlet end and a closed outlet end, and outlet passages having a closed inlet end and an open outlet end,
- 30 wherein the wall flow monolith comprises an SCR catalyst composition that permeates the walls at a concentration of at least 79,26 g/l (1.3 g/in<sup>3</sup>); wherein the wall flow monolith has a wall porosity of at least 50% with an average pore size of at least 5 microns.
- 35 18. The remission treatment system of claim 17, wherein the SCR catalyst composition that permeates the walls of the wall flow monolith so that the walls have a wall porosity of from SU to 75% with an average pore size of from 5 to 30 microns.
19. The emission treatment system of claim 17, further comprising a diesel engine upstream of, and in fluid communication with the oxidation catalyst.
- 40 20. The emission treatment system of claim 17, wherein the SCR catalyst composition comprises a zeolite and base metal component selected from one or more of a copper and iron component.
- 45 21. The emission treatment system of claim 20, wherein the zeolite of the SCR catalyst composition has a silica to alumina ratio of at least about 10.
22. The emission treatment system of claim 21, wherein the zeolite of the SCR. catalyst composition is a beta zeolite.
- 50 23. The emissions treatment system of claim 17, wherein the SCR catalyst composition, comprises a platinum group metal component.
24. The emission treatment system of claim 23, wherein the SCR catalyst composition further comprises a zeolite component.
- 55 25. The emission treatment system of claim 17, further comprising a slip oxidation catalyst downstream of the SCR catalyst.

26. A method for treating emissions produced in an exhaust stream comprising NO<sub>x</sub> and particulate matter, the method comprising:

- (a) passing the exhaust stream through an oxidation catalyst wherein a substantial portion of NO is oxidized to NO<sub>2</sub> to provide an NO<sub>2</sub>-enriched exhaust stream;  
 (b) metering at periodic intervals, ammonia or an ammonia precursor into the NO<sub>2</sub>-enriched exhaust stream; and,  
 (c) subsequently passing the exhaust stream through a wall flow monolith wherein particulate matter is filtered and a substantial portion of NO<sub>x</sub> is reduced to N<sub>2</sub>;

wherein the wall flow monolith has a plurality of longitudinally extending passages formed by longitudinally extending walls bounding and defining said passages, wherein the passages comprise inlet passages having an open inlet end and a closed outlet end, and outlet passages having a closed inlet end and an open outlet end, wherein the wall flow monolith comprises an SCR catalyst composition that permeates the walls at a concentration of at least 79.26 g/l (1.3 g/in<sup>3</sup>); wherein the wall flow monolith has a wall porosity of at least 50% with an average pore size of at least 5 microns.

27. The method of claim 26, wherein the SCR catalyst composition comprises a zeolite and base metal component selected from one or more of a copper and iron component.

28. The method of claim 27, wherein the zeolite of the SCR catalyst composition has a silica to alumina ratio of at least about 10.

29. The method of claim 28, wherein the zeolite of the SCR catalyst composition is a beta zeolite.

30. The method of claim 26, wherein the oxidation catalyst comprises a platinum group metal components.

31. The method of claim 30, wherein the oxidation catalyst further comprises a zeolite component.

32. The method of claim 26, wherein the exhaust stream is from a diesel engine.

33. A method for disposing an SCR catalyst composition on a wall flow monolith, wherein the wall flow monolith has a plurality of longitudinally extending passages formed by longitudinally extending walls bounding and defining said passages, wherein the passages comprise inlet passages having an open inlet end and a closed outlet end, and outlet passages having a closed inlet end and an open outlet end, the method comprising:

- (a) immersing the wall flow monolith in an aqueous slurry comprising the SCR catalyst composition from a first direction to deposit the SCR catalyst composition on the inlet passages;  
 (b) removing excess slurry from the inlet passages by forcing a compressed gas stream through the outlet passage and applying a vacuum to the inlet passages;  
 (c) immersing the wall flow monolith in the aqueous slurry from a second direction, opposite the first direction, to deposit the SCR catalyst composition on the outlet passages;  
 (d) removing excess slurry from the outlet passages by forcing a compressed gas stream through the inlet passages and applying a vacuum to the outlet passages; and  
 (e) drying and calcining the coated wall flow monolith;

wherein the wall flow monolith has a porosity of at least 50% and a mean pore size of at least 5 microns, and the SCR catalyst composition permeates the walls at a concentration of at least 79.26 g/l (1.3 g/in<sup>3</sup>).

## Patentansprüche

1. Katalytisches Erzeugnis, das einen Wandstrom-Monolith (wall flow monolith) umfasst, der eine Vielzahl in Längsrichtung verlaufender Kanäle aufweist, die durch in Längsrichtung verlaufende Wände gebildet werden, die die Kanäle begrenzen und ausbilden, wobei die Kanäle Einlasskanäle mit einem offenen Einlassende und einem geschlossenen Auslassende sowie Auslasskanäle mit einem geschlossenen Einlassende und einem offenen Auslassende umfassen und der Wandstrom-Monolith eine SCR-Katalysatorzusammensetzung umfasst, die die Wände mit einer Konzentration von wenigstens 79,26 g/l (1,3 g/inch<sup>3</sup>) durchdringt, und der Wandstrom-Monolith eine Wand-

## EP 1 663 458 B1

porosität von wenigstens 50 % bei einer durchschnittlichen Porengröße von wenigstens 5 Mikron hat.

2. Katalytisches Erzeugnis nach Anspruch 1, wobei der Wandstrom-Monolith eine Wandporosität von 50 bis 75 % bei einer durchschnittlichen Porengröße von 5 bis 30 Mikron hat.
3. Katalytisches Erzeugnis nach Anspruch 1, wobei die SCR-Katalysatorzusammensetzung in Form eines Washcoat an den Wänden des Monoliths vorhanden ist.
4. Katalytisches Erzeugnis nach Anspruch 1, wobei zwischen 97,56 und 146,34 g/l (1,6 bis 2,4 g/inch<sup>3</sup>) der SCR-Katalysatorzusammensetzung an dem Wandstrom-Monolith vorhanden sind.
5. Katalytisches Erzeugnis nach Anspruch 1, wobei die SCR-Katalysatorzusammensetzung Katalyse der Reduktion von NO<sub>x</sub> bei einer Temperatur unter ungefähr 600 °C bewirkt und in der Lage ist, unterstützend bei der Regeneration des Filters zu wirken, indem die Temperatur gesenkt wird, bei der durch den Filter eingefangener Ruß verbrannt wird.
6. Katalytisches Erzeugnis nach Anspruch 1, wobei die SCR-Katalysatorzusammensetzung eine Wärmebeständigkeit gegenüber Abbau bei Temperaturen von über 650 °C aufweist,
7. Katalytisches Erzeugnis nach Anspruch 6, wobei die SCR-Katalysatorzusammensetzung Beständigkeit gegenüber Abbau bei Kontakt mit Schwefelkomponenten bewirkt.
8. Katalytisches Erzeugnis nach Anspruch 1, wobei die SCR-Katalysatorzusammensetzung die Oxidation von überschüssigem NH<sub>3</sub> mit O<sub>2</sub> fördert.
9. Katalytisches Erzeugnis nach Anspruch 1, wobei die SCR-Katalysatorzusammensetzung ein Zeolith und eine Basismetallkomponente umfasst, die aus einer Kupfer- oder einer Eisenkomponente oder mehreren von ihnen ausgewählt wird.
10. Katalytisches Erzeugnis nach Anspruch zu, wobei die Basismetallkomponente eine Kupferkomponente ist.
11. Katalytisches Erzeugnis nach Anspruch 10, wobei der Zeolith der SCR-Katalysatorzusammensetzung ein Verhältnis von Siliziumoxid zu Aluminiumoxid von wenigstens 10 hat.
12. Erzeugnis nach Anspruch 11, wobei der Zeolith der SCR-Katalysatorzusammensetzung aus Beta-Zeolith, USY und ZSM-20 ausgewählt wird.
13. Katalytisches Erzeugnis nach Anspruch 11, wobei der Zeolith der SCR-Katalysatorzusammensetzung ein Beta-Zeolith ist.
14. Katalytisches Erzeugnis nach Anspruch 9, wobei der Zeolith der SCR-Katalysatorzusammensetzung Poren mit einem Porendurchmesser von wenigstens ungefähr 7 Angström hat, die in drei Dimensionen verbunden sind.
15. Katalytisches Erzeugnis nach Anspruch 9, wobei die SCR-Katalysatorzusammensetzung einen Eisen- oder einen Kupfer-Promotor oder beide enthält, der/die in einer Menge von ungefähr 0,1 bis 30 Gew.-% des Gesamtgewichts des Promotors zuzüglich Zeolith vorhanden ist/sind.
16. Katalytisches Erzeugnis nach Anspruch 9, wobei die SCR-Katalysatorzusammensetzung einen Eisen- oder einen Kupfer-Promotor oder beide enthält, der/die in einer Menge von ungefähr 1 bis 5 Gew.-% des Gesamtgewichtes des Promotors zuzüglich Zeolith vorhanden ist/sind.
17. Emissionsbehandlungssystem zur Behandlung eines Abgasstroms, der NO<sub>x</sub> und Partikel umfasst, wobei das Emissionsbehandlungssystem umfasst:
  - a) einen Oxidationskatalysator;
  - b) eine Einspritzeinrichtung, die in Fluidverbindung mit dem Oxidationskatalysator und stromab von ihm angeordnet ist, wobei die Einspritzeinrichtung periodisch Ammoniak oder einen Ammoniak-Vorläufer in den Abgasstrom einspeist; und
  - c) einen Wandstrom-Monolith (wall flow monolith), der in Fluidverbindung mit der Einspritzeinrichtung steht und

stromab von ihr angeordnet ist, wobei der Wandstrom-Monolith eine Vielzahl in Längsrichtung verlaufender Kanäle aufweist, die durch in Längsrichtung verlaufende Wände gebildet werden, die die Kanäle begrenzen und ausbilden, und die Kanäle Einlasskanäle mit einem offenen Einlassende und einem geschlossenen Auslassende sowie Auslasskanäle mit einem geschlossenen Einlassende und einem offenen Auslassende umfassen,

wobei der Wandstrom-Monolith eine SCR-Katalysatorzusammensetzung umfasst, die die Wände mit einer Konzentration von wenigstens 79,26 g/l (1,3 g/inch<sup>3</sup>) durchdringt, und der Wandstrom-Monolith eine Wandporosität von wenigstens 50 % bei einer durchschnittlichen Porengröße von wenigstens 5 Mikron hat.

18. Emissionsbehandlungssystem nach Anspruch 17, wobei die SCR-Katalysatorzusammensetzung die Wände des Wandstrom-Monoliths so durchdringt, dass die Wände eine Wandporosität von 50 bis 75 % bei einer durchschnittlichen Porengröße von 5 bis 30 Mikron haben,

19. Emissionsbehandlungssystem nach Anspruch 17, das des Weiteren einen Dieselmotor stromauf von dem Oxidationskatalysator und in Fluidverbindung mit ihm umfasst.

20. Emissionsbehandlungssystem nach Anspruch 17, wobei die SCR-Katalysatorzusammensetzung einen Zeolith und eine Basismetallkomponente umfasst, die aus einer Kupfer- oder einer Eisenkomponente oder mehreren von ihnen ausgewählt wird.

21. Emissionsbehandlungssystem nach Anspruch 20, wobei der Zeolith der SCR-Katalysatorzusammensetzung ein Verhältnis von Siliziumoxid zu Aluminiumoxid von wenigstens ungefähr 10 hat.

22. Emissionsbehandlungssystem nach Anspruch 21, wobei der Zeolith der SCR-Katalysatorzusammensetzung ein Beta-Zeolith ist.

23. Emissionsbehandlungssystem nach Anspruch 17, wobei die SCR-Katalysatorzusammensetzung eine Metallkomponente der Platingruppe umfasst.

24. Emissionsbehandlungssystem nach Anspruch 23, wobei die SCR-Katalysatorzusammensetzung des Weiteren eine Zeolith-Komponente umfasst.

25. Emissionsbehandlungssystem nach Anspruch 17, das des Weiteren einen Slip-Oxidationskatalysator stromab von dem SCR-Katalysator umfasst.

26. Verfahren zum Behandeln von Emissionen, die in einem Abgasstrom erzeugt werden, der NO<sub>x</sub> und Partikel umfasst, wobei das Verfahren umfasst:

a) Leiten des Abgasstroms durch einen Oxidationskatalysator wobei ein erheblicher Teil von NO zu NO<sub>2</sub> oxidiert wird, um einen mit NO<sub>2</sub> angereicherten Abgasstrom zu erzeugen;

b) Einspeisen von Ammoniak oder einem Ammoniak-Vorläufer in den mit NO<sub>2</sub> angereicherten Abgasstrom in periodischen Intervallen; und

c) anschließendes Leiten des Abgasstroms durch einen Wandstrom-Monolith, wobei Partikel herausgefiltert werden und ein erheblicher Teil des NO<sub>x</sub> zu N<sub>2</sub> reduziert wird;

wobei der Wandstrom-Monolith eine Vielzahl in Längsrichtung verlaufender Kanäle aufweist, die durch in Längsrichtung verlaufende Wände gebildet werden, die die Kanäle begrenzen und ausbilden, und die Kanäle Einlasskanäle mit einem offenen Einlassende und einem geschlossenen Auslassende sowie Auslasskanäle mit einem geschlossenen Einlassende und einem offenen Auslassende umfassen,

wobei der Wandstrom-Monolith eine SCR-Katalysatorzusammensetzung umfasst, die die Wände mit einer Konzentration von wenigstens 79,26 g/l (1,3 g/inch<sup>3</sup>) durchdringt, und der Wandstrom-Monolith eine Wandporosität von wenigstens 50 % bei einer durchschnittlichen Porengröße von wenigstens 5 Mikron hat.

27. Verfahren nach Anspruch 26, wobei die SCR-Katalysatorzusammensetzung einen Zeolith und eine Basismetallkomponente umfasst, die aus einer Kupfer- oder einer Eisen-Komponente oder mehreren von ihnen ausgewählt wird.

28. Verfahren nach Anspruch 27, wobei der Zeolith der SCR-Katalysatorzusammensetzung ein Verhältnis von Silizi-

umoxid zu Aluminiumoxid von wenigstens ungefähr 10 hat.

29. Verfahren nach Anspruch 28, wobei der Zeolith der SCR-Katalysatorzusammensetzung ein Beta-Zeolith ist.

5 30. Verfahren nach Anspruch 26, wobei der Oxidationskatalysator eine Metallkomponente der Platingruppe umfasst.

31. Verfahren nach Anspruch 30, wobei der Oxidationskatalysator des Weiteren eine Zeolith-Komponente umfasst.

10 32. Verfahren nach Anspruch 26, wobei der Abgasstrom von einem Dieselmotor stammt.

33. Verfahren zum Anordnen einer SCR-Katalysatorzusammensetzung an einem Wandstrom-Monolith, wobei der Wandstrom-Monolith eine Vielzahl in Längsrichtung verlaufender Kanäle aufweist, die durch in Längsrichtung verlaufende Wände gebildet werden, die die Kanäle begrenzen und ausbilden, und die Kanäle Einlasskanäle mit einem offenen Einlassende und einem geschlossenen Auslassende sowie Auslasskanäle mit einem geschlossenen Einlassende und einem offenen Auslassende umfassen und das Verfahren umfasst:

a) Eintauchen des Wandstrom-Monoliths in eine wässrige Aufschlämmung, die die SCR-Katalysatorzusammensetzung umfasst, aus einer ersten Richtung, um die SCR-Katalysatorzusammensetzung an den Einlasskanälen abzulagern,

20 b) Entfernen überschüssiger Aufschlämmung aus den Einlasskanälen, indem ein Druckgasstrom durch die Auslasskanäle hindurchgedrückt wird und die Einlasskanäle unter Vakuum gesetzt werden;

c) Eintauchen des Wandstrom-Monoliths in die wässrige Aufschlämmung aus einer zweiten Richtung entgegengesetzt zu der ersten Richtung, um die SCR-Katalysatorzusammensetzung an den Auslasskanälen abzulagern;

25 d) Entfernen überschüssiger Aufschlämmung aus den Auslasskanälen, indem ein Druckgasstrom durch die Einlasskanäle hindurchgedrückt wird und die Auslasskanäle unter Vakuum gesetzt werden; und

e) Trocknen und Brennen des beschichteten Wandstrom-Monoliths;

30 wobei der Wandstrom-Monolith eine Porosität von wenigstens 50 % und eine mittlere Porengröße von wenigstens 5 Mikron hat und die SCR-Katalysatorzusammensetzung die Wände mit einer Konzentration von wenigstens 79,26 g/l (1,3 g/inch<sup>3</sup>) durchdringt.

## Revendications

35 1. Article de type catalyseur comprenant un monolithe à écoulement de paroi ayant une pluralité de passages s'étendant longitudinalement formés par des parois s'étendant longitudinalement liant et définissant lesdits passages, dans lequel les passages comprennent des passages d'entrée ayant une extrémité d'entrée ouverte et une extrémité de sortie formée, et des passages de sortie ayant une extrémité d'entrée fermée et une extrémité de sortie ouverte,

40 dans lequel le monolithe à écoulement de paroi comprend une composition de catalyseur SCR qui s'infiltré dans les parois dans une concentration d'au moins 79,26 g/l (1,3 g/in<sup>3</sup>) ; dans lequel le monolithe à écoulement de paroi a une porosité de paroi d'au moins 50 % avec une taille moyenne de pores d'au moins 5 microns.

45 2. Article de type catalyseur selon la revendication 1, dans lequel le monolithe à écoulement de paroi a une porosité de paroi de 50 à 75 % avec une taille moyenne de pores de 5 à 30 microns.

3. Article de type catalyseur selon la revendication 1, dans lequel la composition de catalyseur SCR est sous la forme d'une couche de lavage sur les parois du monolithe.

50 4. Article de type catalyseur selon la revendication 1, dans lequel une quantité de 97, 56 à 146, 34 g/l (1,6 à 2,4 9/in<sup>3</sup>) de composition de catalyseur SCR est placée sur le monolithe à écoulement de paroi.

55 5. Article de type catalyseur selon la revendication 1, dans lequel la composition de catalyseur SCR est efficace pour catalyser la réduction du NOx à une température inférieure à environ 600°C et elle est capable de faciliter la régénération du filtre par abaissement de la température à laquelle la suie capturée par le filtre est brûlée.

6. Article de type catalyseur selon la revendication 1, dans lequel la composition de catalyseur SCR a une résistance thermique à une dégradation à des températures supérieures à 650°C.

## EP 1 663 458 B1

7. Article de type catalyseur selon la revendication 6, dans lequel la composition de catalyseur SCR est efficace pour résister à une dégradation suite à une exposition des composants de soufre.
- 5 8. Article de type catalyseur selon la revendication 1, dans lequel la composition de catalyseur SCR favorise l'oxydation du  $\text{NH}_3$  en excès avec du  $\text{O}_2$ .
- 10 9. Article de type catalyseur selon la revendication 1, dans lequel la composition de catalyseur SCR comprend une zéolite et un composant métallique de base choisi parmi un ou plusieurs composés parmi un composant de cuivre et un composant de fer.
- 15 10. Article de type catalyseur selon la revendication 9, dans lequel le composant métallique de base est un composant de cuivre.
- 20 11. Article de type catalyseur selon la revendication 10, dans lequel zéolite de la composition de catalyseur SCR a un rapport de la silice à l'alumine d'au moins environ 10.
- 25 12. Article de type catalyseur selon la revendication 11, dans lequel la zéolite de la composition de catalyseur SCR est choisie parmi une zéolite bêta, l'USY et la ZSM-20.
- 30 13. Article de type catalyseur selon la revendication 11, dans lequel la zéolite de la composition de catalyseur SCR est une zéolite bêta.
- 35 14. Article de type catalyseur selon la revendication 9, dans lequel la zéolite de la composition de catalyseur SCR a des pores qui ont un diamètre de pores d'au moins environ 7 angstroms et qui sont reliés dans les trois dimensions.
- 40 15. Article de type catalyseur selon la revendication 9, dans lequel la composition de catalyseur SCR contient un promoteur de fer ou un promoteur de cuivre ou les deux présents dans une quantité d'environ 0,1 à 30 pour cent en poids du poids total du promoteur plus de la zéolite.
- 45 16. Article de type catalyseur selon la revendication 9, dans lequel la composition de catalyseur SCR contient un promoteur de fer ou un promoteur de cuivre ou les deux présents dans une quantité d'environ 1 à 5 pour cent en poids du poids total du promoteur plus de la zéolite.
- 50 17. Système de traitement d'une émission pour le traitement d'un courant d'échappement comprenant du  $\text{NO}_x$  et des matières particulaires, le système de traitement d'une émission comprenant :
- 55 a) un catalyseur d'oxydation ;  
b) un injecteur en communication de fluide avec le catalyseur d'oxydation et en aval de celui-ci, dans lequel l'injecteur envoie périodiquement une quantité dosée d'ammoniac ou d'un précurseur d'ammoniac dans le courant d'échappement ; et,  
c) un monolithe à écoulement de paroi en communication de fluide avec l'injecteur et en aval de celui-ci, dans lequel le monolithe à écoulement de paroi a une pluralité de passages s'étendant longitudinalement formés par des parois s'étendant longitudinalement liant et définissant lesdits passages,
- 60 dans lequel les passages comprennent des passages d'entrée ayant une extrémité d'entrée ouverte et une extrémité de sortie fermée, et des passages de sortie ayant une extrémité d'entrée fermée et une extrémité de sortie ouverte, dans lequel le monolithe à écoulement de paroi comprend une composition de catalyseur SCR qui s'infiltré dans les parois dans une concentration d'au moins 79,26 g/l ( $1,3 \text{ q/in}^3$ ) ; dans lequel le monolithe à écoulement de paroi a une porosité de paroi d'au moins 50 % avec une taille moyenne de pores d'au moins 5 microns.
- 65 18. Système de traitement d'une émission selon la revendication 17, dans lequel la composition de catalyseur SCR s'infiltré dans les parois du monolithe à écoulement de paroi de telle sorte que les parois ont une porosité de paroi de 50 à 75 % avec une taille moyenne de pores de à 30 microns.
- 70 19. Système de traitement d'une émission selon la revendication 17, comprenant en outre un moteur diesel en amont du, et en communication de fluide avec le, catalyseur d'oxydation.
- 75 20. Système de traitement d'une émission selon la revendication 17, dans lequel la composition de catalyseur SCR

## EP 1 663 458 B1

comprend une zéolite et un composant métallique de base choisi parmi un ou plusieurs composés parmi un composant de cuivre et un composant de fer.

- 5
21. Système de traitement d'une émission selon la revendication 20, dans lequel la zéolite de la composition de catalyseur SCR a un rapport de la silice à l'alumine d'au moins environ 10.
22. Système de traitement d'une émission selon la revendication 21, dans lequel la zéolite de la composition de catalyseur SCR est une zéolite bêta.
- 10
23. Système de traitement d'une émission selon la revendication 17, dans lequel la composition de catalyseur SCR comprend un composant métallique du groupe du platine.
24. Système de traitement d'une émission selon la revendication 23, dans lequel la composition de catalyseur SCR comprend en outre un composant de type zéolite.
- 15
25. Système de Traitement d'une émission selon la revendication 17, comprenant en outre un catalyseur d'oxydation de glissement en aval du catalyseur SCR.
- 20
26. Procédé de traitement d'émissions produites dans un courant d'échappement comprenant du NOx et des matières particulières, le procédé comprenant :
- (a) l'envoi du courant d'échappement à travers le catalyseur d'oxydation, où une partie substantielle du NO est oxydé en NO<sub>2</sub> pour fournir un courant d'échappement enrichi en NO<sub>2</sub> ;
- (b) l'envoi à des intervalles périodiques d'une quantité dosée d'ammoniac ou d'un précurseur d'ammoniac dans le courant d'échappement enrichi en NO<sub>2</sub> ; et,
- (c) l'envoi ultérieur du courant d'échappement à travers un monolithe à écoulement de paroi dans lequel les matières particulaires sont filtrées et une partie substantielle du NOx est réduite en N<sub>2</sub> ;
- 25
- dans lequel le monolithe à écoulement de paroi a une pluralité de passages s'étendant longitudinalement formés par des parois s'étendant longitudinalement liant et définissant lesdits passages, dans lequel les passages comprennent des passages d'entrée ayant une extrémité d'entrée, ouverte et une extrémité de sortie fermée, et des passages de sortie ayant une extrémité d'entrée fermée et une extrémité de sortie ouverte,
- dans lequel le monolithe à écoulement de paroi comprend une composition de catalyseur SCR qui s'infiltré dans les parois dans une concentration d'au moins 79,26 g/l (1,3 g/in<sup>3</sup>) ; dans lequel le monolithe à écoulement de paroi a une porosité de paroi d'au moins 50 % avec une taille moyenne de pores d'au moins 5 microns.
- 30
27. Procédé selon la revendication 26, dans lequel la composition de catalyseur SCR comprend une zéolite et un composant métallique de base choisi parmi un ou plusieurs composés parmi un composant de cuivre et un composant de fer.
- 40
28. Procédé selon la revendication 27, dans lequel la zéolite de la composition de catalyseur SCR a un rapport de la silice à l'alumine d'au moins environ 10.
29. Procédé selon la revendication 28, dans lequel la zéolite de la composition de catalyseur SCR est une zéolite bêta.
- 45
30. Procédé selon la revendication 26, dans lequel le catalyseur d'oxydation comprend un composant métallique du groupe du platine.
31. Procédé selon la revendication 30, dans lequel le catalyseur d'oxydation comprend en outre un composant de type zéolite.
- 50
32. Procédé selon la revendication 26, dans lequel le courant d'échappement provient d'un moteur diesel
33. Procédé de mise en place d'une composition de catalyseur SCR sur un monolithe à écoulement de paroi, dans lequel le monolithe, à écoulement de paroi a une pluralité de passages s'étendant longitudinalement formés par des parois s'étendant longitudinalement liant et définissant lesdits passages, dans lequel les passages comprennent des passages d'entrée ayant une extrémité d'entrée ouverte et une extrémité de sortie fermée, et des passages de sortie ayant une extrémité d'entrée fermée et une extrémité de sortie ouverte, le procédé comprenant:
- 55

## EP 1 663 458 B1

(a) l'immersion du monolithe à écoulement de paroi dans une suspension aqueuse comprenant la composition de catalyseur SCR depuis une première direction pour déposer la composition de catalyseur SCR dans les passages d'entrée;

5 (b) l'élimination de la suspension en excès des passages d'entrée par envoi forcé d'un courant de gaz comprimé à travers les passages de sortie et par application d'un vide aux passages d'entrée ;

(c) l'immersion du monolithe à écoulement de paroi dans la suspension aqueuse depuis une seconde direction, opposée à la première direction, pour déposer la composition de catalyseur SCR dans les passages de sortie ;

10 (d) l'élimination de la suspension en excès des passages de sortie par envoi forcé d'un courant de gaz comprimé à travers les passages d'entrée et par application d'un vide aux passages de sortie ; et

(e) le séchage et la calcination du monolithe à écoulement de paroi revêtu;

dans lequel le monolithe à écoulement de paroi a une porosité d'au moins 50 % et une taille moyenne de pores d'au moins 5 microns, et la composition de catalyseur SCR s'infiltré dans les parois dans une concentration d'au moins 76,26 g/l (1,3 g/in<sup>3</sup>).

15

20

25

30

35

40

45

50

55

Figure 1A

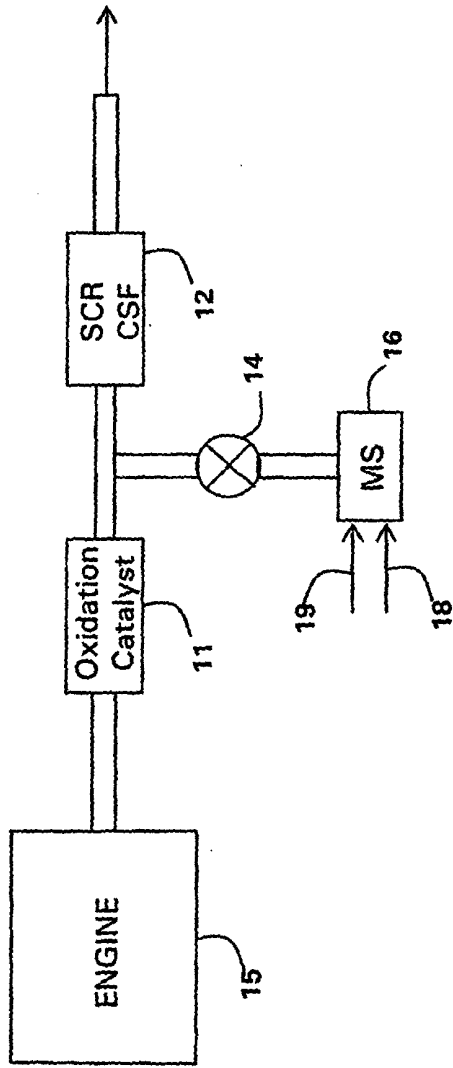


Figure 1B

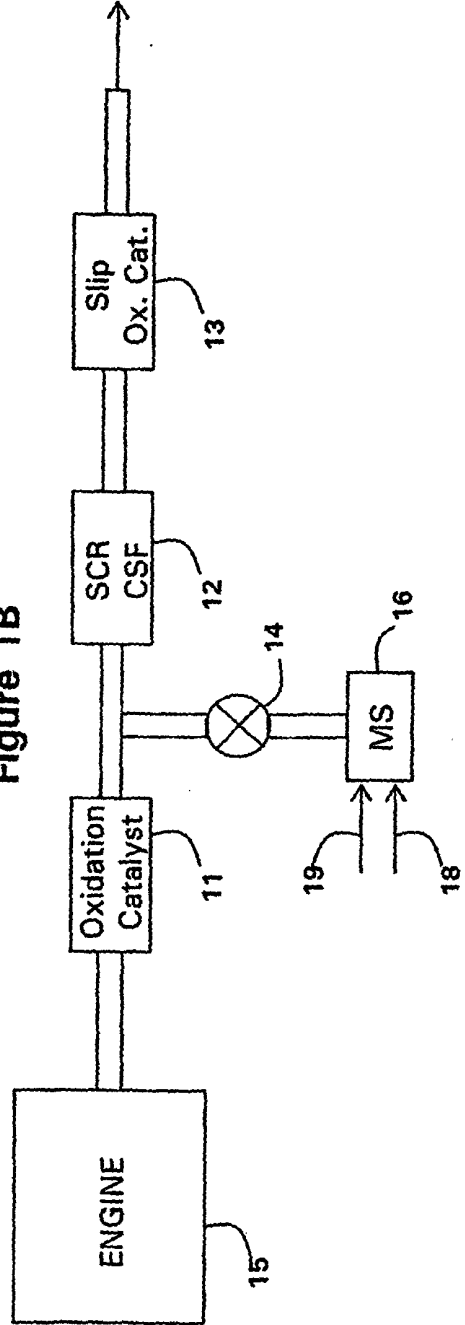


Figure 2

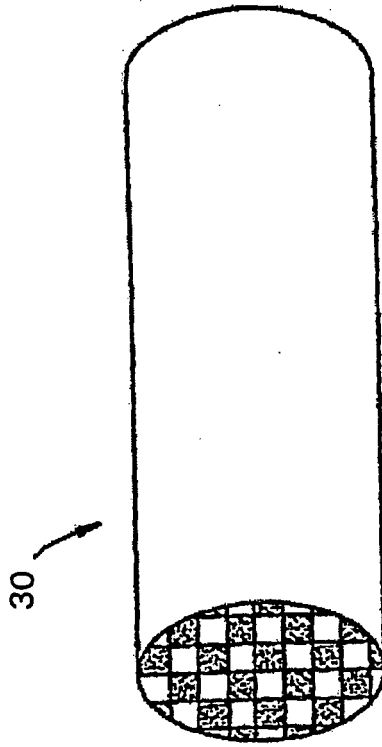


Figure 3

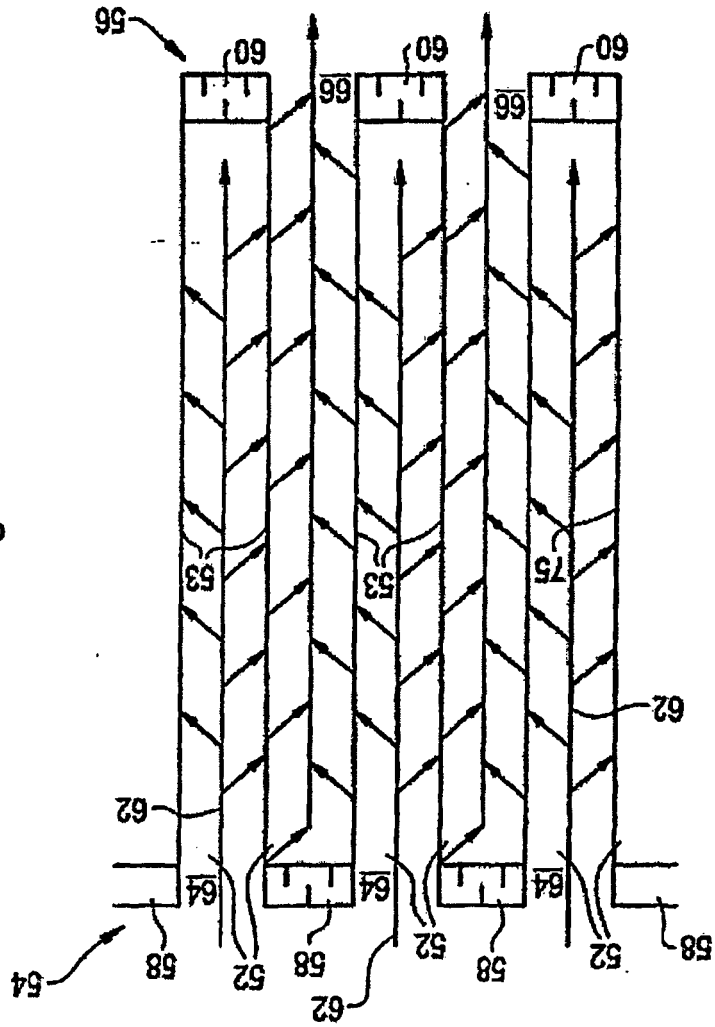


Figure 4

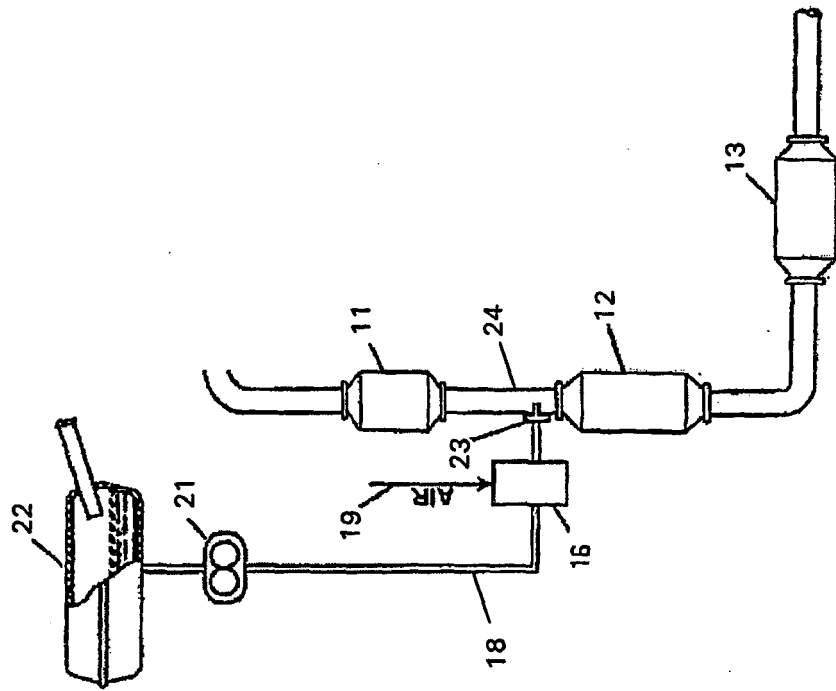


Figure 5

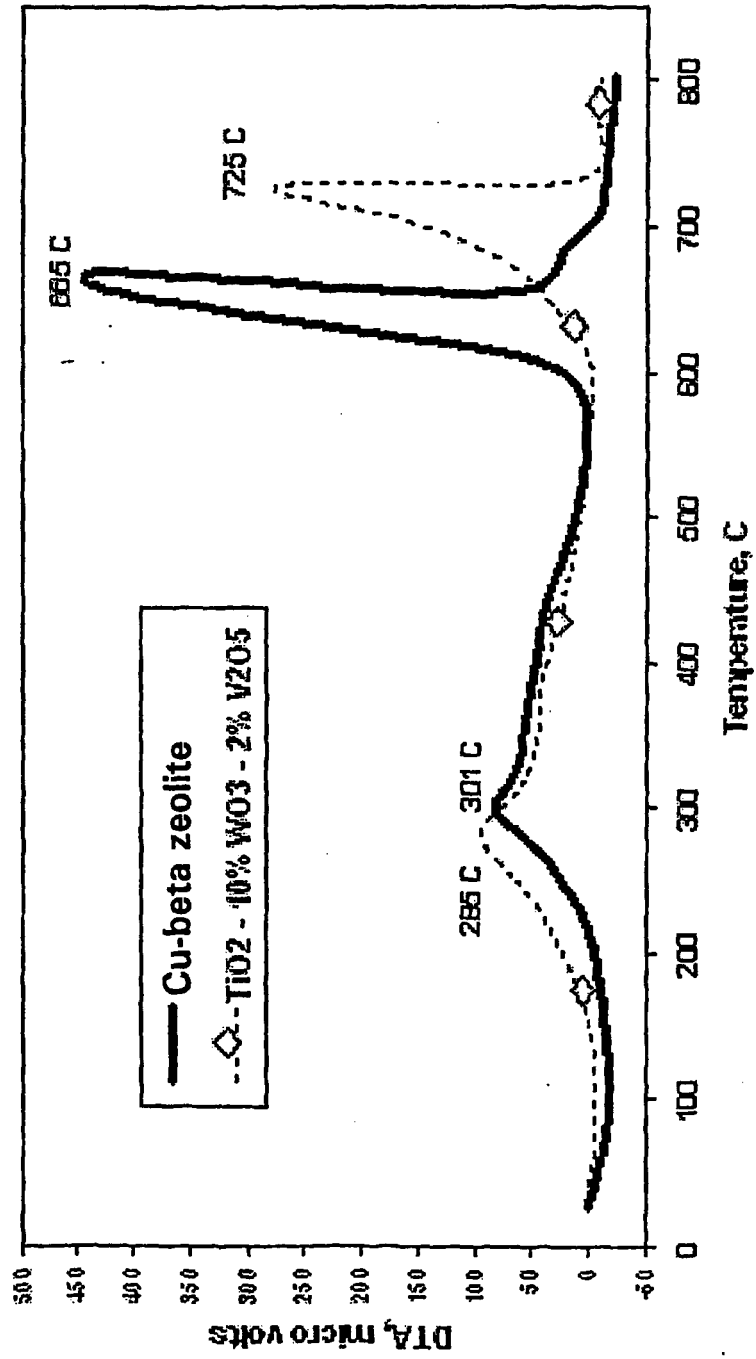


Figure 6

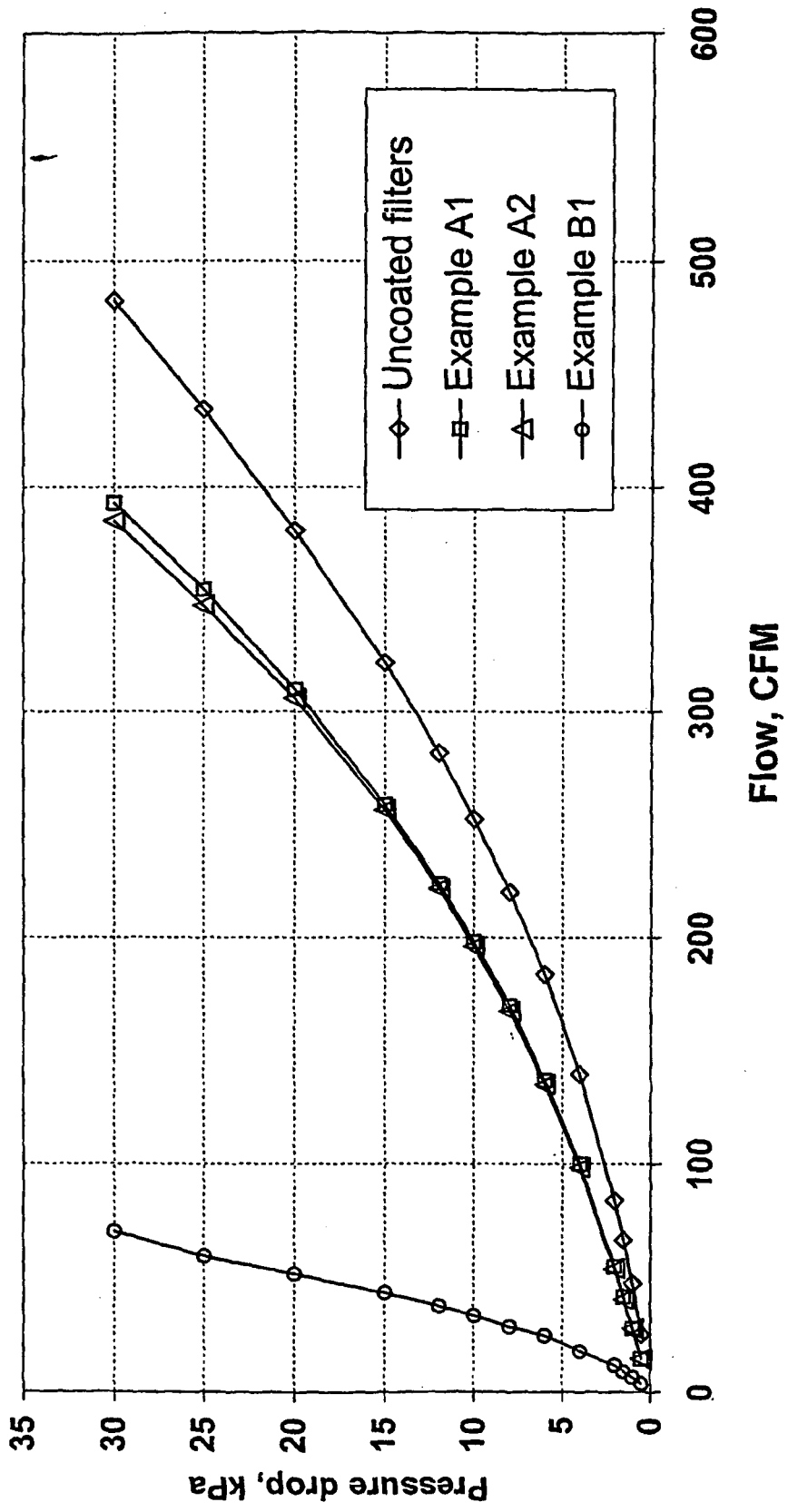
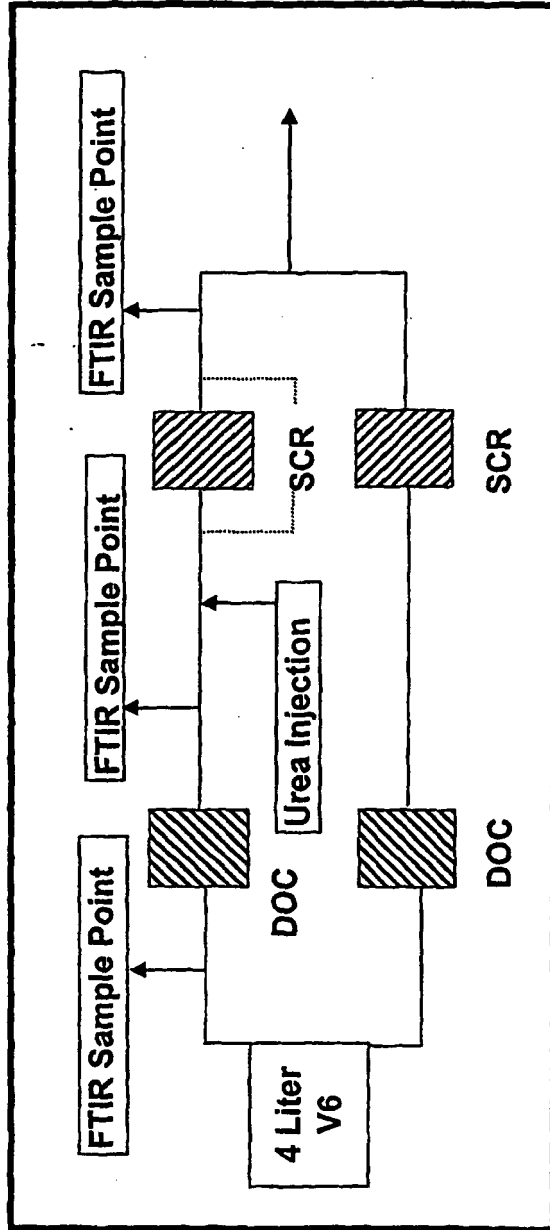


Figure 7



**REFERENCES CITED IN THE DESCRIPTION**

*This list of references cited by the applicant is for the reader's convenience only. It does not form part of the European patent document. Even though great care has been taken in compiling the references, errors or omissions cannot be excluded and the EPO disclaims all liability in this regard.*

**Patent documents cited in the description**

- JP KOKAI3130522 A [0013]
- US 4912776 A [0014]
- WO 9939809 A [0015]
- WO 0112320 A [0016] [0017]
- US 4961917 A [0039]
- US 5516497 A [0039] [0061]
- US 4329162 A [0045]
- US 4963332 A [0050]
- US 5522218 A [0050]
- US 6415602 B [0050]
- US 5100632 A [0056]
- US 5491120 A [0057]
- US 5462907 A [0058]