



EUROPEAN PATENT APPLICATION

Application number: 78300271.0

Int. Cl. 2: **B 67 D 1/00, A 47 J 31/40,**
G 01 F 11/08

Date of filing: 09.08.78

Priority: 12.08.77 US 824076

Applicant: **Strenger, Marshall C., 450 Thorne, Lake Forest Illinois 60045 (US)**

Date of publication of application: 21.02.79
Bulletin 79/4

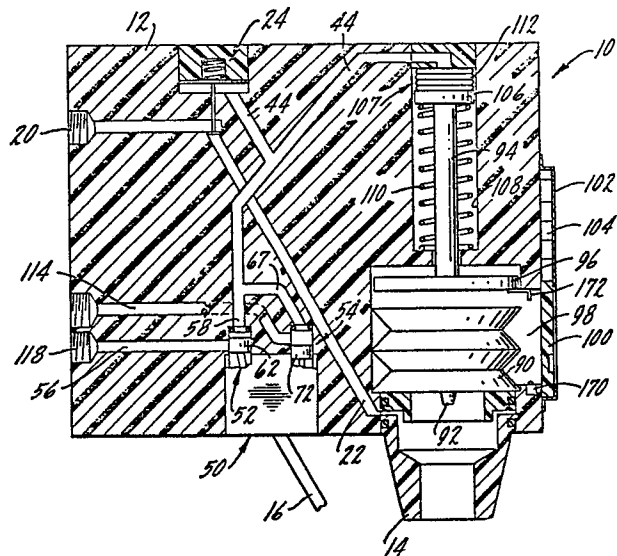
Inventor: **Strenger, Marshall C., 450 Thorne, Lake Forest Illinois 60045 (US)**

Designated Contracting States: **BE CH DE FR GB LU NL SE**

Representative: **Hodding, Henry Squarrey et al, A.A. THORNTON & CO. Northumberland House 303-306 High Holborn, London, WC1V 7LE (GB)**

Beverage dispenser and method.

A beverage dispenser includes a control device in communication with a source of base liquid and a source of flavoring constituent for generating a simultaneous flow of the base liquid and the flavoring constituent into a mixing nozzle. The flavoring constituent may be supplied in a portable packet (90) which contains a measured quantity of constituent for making a specified beverage serving when mixed with a controlled quantity of base liquid. The control device may be actuated by tripping an actuator lever (16) when a container is placed under the mixing nozzle for filling it with the mixed beverage. In one embodiment, actuation of the control device causes a flow of pilot fluid under pressure to a fluid operated control member (24, 107) in association with each source of base liquid and flavoring constituent. The pilot fluid may be supplied by the source of base fluid and may be expelled into the mixing nozzle (14).





DOCUMENTS CONSIDERED TO BE RELEVANT			CLASSIFICATION OF THE APPLICATION (Int. Cl. ²)
Category	Citation of document with indication, where appropriate, of relevant passages	Relevant to claim	
	FR - A - 1 410 288 (G. DUCOMET) * Figure 1; page 1 * --	1,4,8	B 67 D 1/00 A 47 J 31/40 G 01 F 11/08
	FR - A - 2 072 313 (ZYMA S.A.) * Figure 1; page 3, lines 12-37 * --	1,6,8	
	FR - A - 1 591 609 (BAUD B.) * Figures 1-8 * --	1	
	FR - A - 1 316 596 (B. BOUET) * Figures 1-6 * --	1	B 67 D 1/00 1/04 3/02 G 01 F 11/08 A 47 J 31/40
	US - A - 4 033 479 (J.C. FLETCHER) * Figures 1,2 * --	1	
	GB - A - 1 188 120 (McCANN'S ENGINEERING & MFG CO.) * Figures 1-10 * --	7	
	DE - A - 1 532 664 (UNITED SHOE MACHINERY CORP.) * Figure 1; page 16 * ----	11	
			TECHNICAL FIELDS SEARCHED (Int.Cl. ²)
			CATEGORY OF CITED DOCUMENTS
			X: particularly relevant A: technological background O: non-written disclosure P: intermediate document T: theory or principle underlying the invention E: conflicting application D: document cited in the application L: citation for other reasons
			&: member of the same patent family, corresponding document
<input checked="" type="checkbox"/> The present search report has been drawn up for all claims			
Place of search	Date of completion of the search	Examiner	
The Hague	21-11-1978	THIBO	