



(12) **CORRECTED EUROPEAN PATENT APPLICATION**

Note: Bibliography reflects the latest situation

(15) Correction information:  
**Corrected version no 1 (W1 A1)**  
**Corrections, see page(s) 1, 5**

(51) Int Cl.7: **E05F 11/48, B60J 1/17**

(48) Corrigendum issued on:  
**08.01.2003 Bulletin 2003/02**

(43) Date of publication:  
**25.09.2002 Bulletin 2002/39**

(21) Application number: **02251111.7**

(22) Date of filing: **19.02.2002**

(84) Designated Contracting States:  
**AT BE CH CY DE DK ES FI FR GB GR IE IT LI LU  
MC NL PT SE TR**  
Designated Extension States:  
**AL LT LV MK RO SI**

(72) Inventor: **Dobson, Simon**  
**Sandgate, Kent CT20 3TA (GB)**

(74) Representative: **Jones, John Bryn et al**  
**Withers & Rogers,**  
**Goldings House,**  
**2 Hays Lane**  
**London SE1 2HW (GB)**

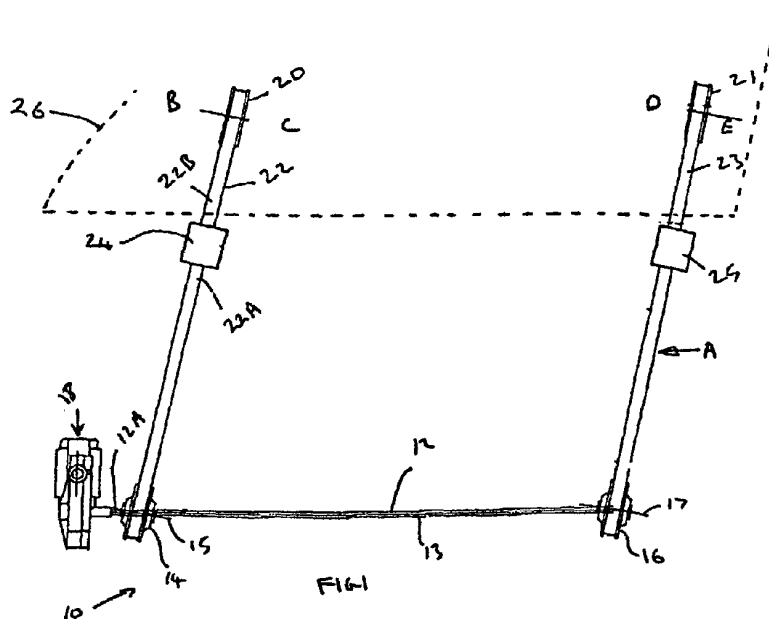
(30) Priority: **21.03.2001 GB 0107064**

(71) Applicant: **Meritor Light Vehicle Systems-France**  
**45600 Sully sur Loire (FR)**

(54) **Vehicle window regulator**

(57) A vehicle window regulator (10) including an elongate drive shaft (12) having a drive axis (13), connected at spaced locations to first (14) and second (16) drive sprockets, each drive sprocket being connected

via respective first (22) and second (23) toothed drive belts to respective first (20) and second (21) idler wheels, with each drive belt including a cursor (24,25) for connection to a window glass.



## Description

**[0001]** The present invention relates to vehicle window regulators.

**[0002]** Vehicles are known which include passenger doors having windows with window glass which can be lowered to open the window and raised to close the window. The window glass is raised and lowered by a window regulator. The window regulator and associated guide rails must control the pitch, roll and yaw of the window glass and must also locate the window glass in the X (fore and aft) Y (lateral) and Z (vertical) directions.

**[0003]** Various window regulator mechanisms are known including single and dual arm regulators and single and twin cable operated regulators.

**[0004]** Modern vehicle side windows have curved glass (having an axis of curvature orientated substantially in the X direction) which when raised and lowered must be guided for rotation about the centre of curvature of the glass. As such, when considering a side window on a car, the lower edge of the glass (where the window regulator is attached) must be allowed to move laterally relative to the vehicle. Window regulators must therefore allow for such lateral movement.

**[0005]** Furthermore on some modern vehicles the window glass is designed to move slightly rearwardly as the window glass is closed. Again the window regulator must allow for this movement.

**[0006]** A problem with known window regulators is that a window regulator designed for a particular door is unlikely to be usable in a different door.

**[0007]** An object of the present invention to provide a window regulator which can be adapted for different installations.

**[0008]** A further object of the present invention is to provide a window regulator which is simple and reliable in operation.

**[0009]** The invention will now be described, by way of example only, with reference to the accompanying drawings in which:-

Figure 1 is a side view of a window regulator according to the present invention;

Figure 2 is a view of the window regulator of figure 1 taken in the direction of arrow A; and

Figure 3A to 3D show a method of securing an end of a toothed belt of figure 1 to the cursor of figure 1.

**[0010]** With reference to figures 1 and 2 there is shown a window regulator 10 including a drive shaft 12 having a drive shaft axis 13.

**[0011]** Mounted on drive shaft 12, at spaced locations, is a first drive sprocket 14 rotatable about sprocket axis 15 and a second drive sprocket 16 rotatable about sprocket axis 17.

**[0012]** Each drive sprocket is drivingly connected to

the drive shaft by a constant velocity joint, in this case a rzeppa type ball joint.

**[0013]** The drive shaft 12 is of hexagonal cross section and drivably engages the bores of the rzeppa ball joint. The outside of the rzeppa ball joints are drivably connected to the drive sprockets. As such rotation of drive shaft 12 causes corresponding rotation of drive sprockets 14 and 16.

**[0014]** A motor is drivingly connected to end 12A of shaft 12.

**[0015]** An idler wheel 20 is positioned remote from the drive sprocket 14.

**[0016]** A toothed belt 22 connects drive sprocket 14 and idler wheel 20.

**[0017]** Secured to toothed belt 22 is a cursor 24.

**[0018]** A similar arrangement of idler wheel 21, toothed belt 23 and cursor 25 is associated with drive sprocket 16.

**[0019]** A window glass 26 (shown chain dotted) is connected either directly or via connectors (not shown) to cursors 24 and 25.

**[0020]** The teeth 32 of belts 22 and 23 engage corresponding teeth on drive sprockets 14 and 16. However wheels 20 and 21 may or may not include teeth.

**[0021]** Figures 3A to 3D show a method of connecting end 22A of toothed belt 22 to cursor 24.

**[0022]** Cursor 24 includes a portion 26 having a mouth 28. One side of mouth 28 includes an array of teeth 30 corresponding to teeth 32 of toothed belt 22.

**[0023]** It can be seen from figure 3B that end 22A of toothed belt 22 is inserted into mouth 28.

**[0024]** Figure 3C shows the array of teeth 30 of mouth 28 having been engaged by teeth 32 of toothed belt 22.

**[0025]** A wedge 34 is then inserted into mouth 28 (see figure 3D) to ensure teeth 30 and 32 remain engaged. A similar arrangement is used to secure end 22B of belt 22 to a further portion of cursor 24, and cursor 25 is identical to cursor 24 in this regard.

**[0026]** A tensioning wheel 34 (shown schematically in figure 2) is spring loaded by spring 36 on to belt 23. This ensures the belt is kept under tension and allows for manufacturing tolerance errors and also for the cursor 25 to move laterally (in the Y direction) relative to an associated vehicle as the curved window glass 26 rotates about its curved axis as it is raised and lowered.

**[0027]** A similar arrangement of tensioning wheel and spring is used on belt 22.

**[0028]** Operation of the vehicle window regulator is as follows.

**[0029]** Motor 18 is selectively operated to rotate in a clockwise direction when viewing figure 2 such that shaft 12 is also rotated in a clockwise direction. This results in drive sprockets 14 and 16 also rotating in a clockwise direction and driving belts 22 and 23 and hence causing cursors 24 and 25 move towards idler wheels 20 and 21 respectively, thus closing the window.

**[0030]** By powering motor 18 in an opposite direction the window can be caused to open.

**[0031]** The invention is adaptable to fit in different installations:-

**[0032]** Thus belts 22 and 23 can both be cut shorter or cut longer to fit within different types of doors as to allow for different heights of window glass.

**[0033]** Belt 22 can be a different length to belt 23 in order to vary the position of wheel 20 relative to wheel 21, though window opening is limited by the shorter belt.

**[0034]** Axes 15 and 17 can be tilted more relative to axis 12 (thus moving idler wheels 20 and 21 to the right when viewing figure 1) to allow for a window glass which is designed to lift at a greater angle to the vertical. Alternatively axes 15 and 17 can be brought further in line with axis 13 where the associated window glass lifts more vertically.

**[0035]** During assembly, drive sprocket 14 is slid on to shaft 12 and can be positioned at various locations along shaft 12, as can drive sprocket 16. This allows for the varying of the distance between cursors 24 and 25 for different lengths of window glass.

**[0036]** Furthermore it can be seen that motor 18 could be positioned either between drive sprockets 14 and 16 or even to the right of drive sprocket 16 when viewing figure 1.

**[0037]** It is also possible to provide alternative or complementary belt tensioning systems.

**[0038]** Thus idler wheels 20 and 21 can be resiliently biased away from corresponding drive sprockets 14 and 16 to provide for belt tensioning. This method is particularly applicable where the toothed belts are endless belts.

**[0039]** Where the toothed belts have first and second ends connected to first and second portions of associated cursors then it is possible to bias the first and second portions of the cursor towards each other to effect belt tensioning.

**[0040]** In an alternative embodiment idler wheel 20 or 21 could be a toothed wheel and could be driven by a motor. As such this allows the motor to be positioned at location B or C (with a toothed wheel 20) or at D or E (with a toothed wheel 21). This is particularly advantageous when differing installations have differing space envelopes.

**[0041]** It should be noted that the invention is not limited to being operated by a motor and alternatively a manual arrangement could be used to raised and lower the window glass.

**[0042]** The components shown in figure 1 (other than the window glass 26) can be assembled into their relative positions and held there by a support structure (not shown). The components and support structure can then be assembled and secured into the door, with the support structure remaining within the door.

**[0043]** Alternatively the support structure can be a temporary support structure and once the components of figure 1 and support structure has been positioned within the door, the components of figure 1 can be secured to the door and the temporary support structure

can then be removed from the door.

**[0044]** An alternative drive arrangement between the drive shaft and the sprocket would be a toothed periphery of the drive shaft which engages a toothed bore of the sprocket thereby allowing the shaft axis to be angled relative to the sprocket axis.

**[0045]** Depending upon the installation and refinement of window glass raising and lowering required, constant velocity joints may not be required between the drive shaft and drive sprockets. In particular where the axis of the drive sprocket is parallel to the axis of the drive shaft a simple hexagonal, square or other polygon or other non-circular shaft cross section can be used which engages with a corresponding bore of the sprocket to drive the sprocket.

**[0046]** The arrangement shown in figure 1 shows idler wheels being positioned generally above the drive shaft and drive sprockets. Depending upon the installation the drive shaft and drive sprockets could be positioned above the idler wheels.

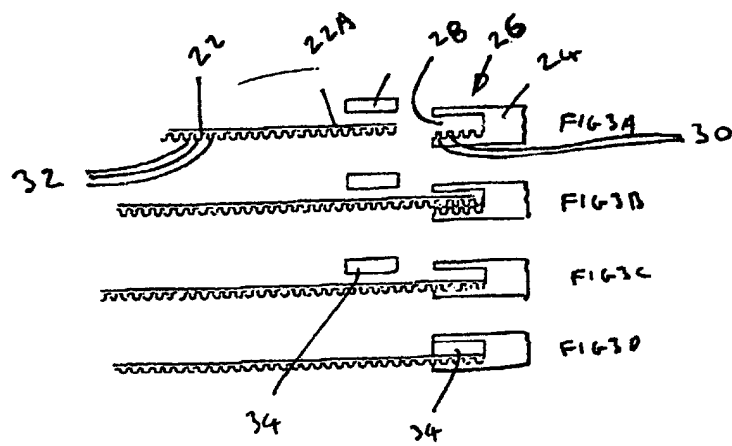
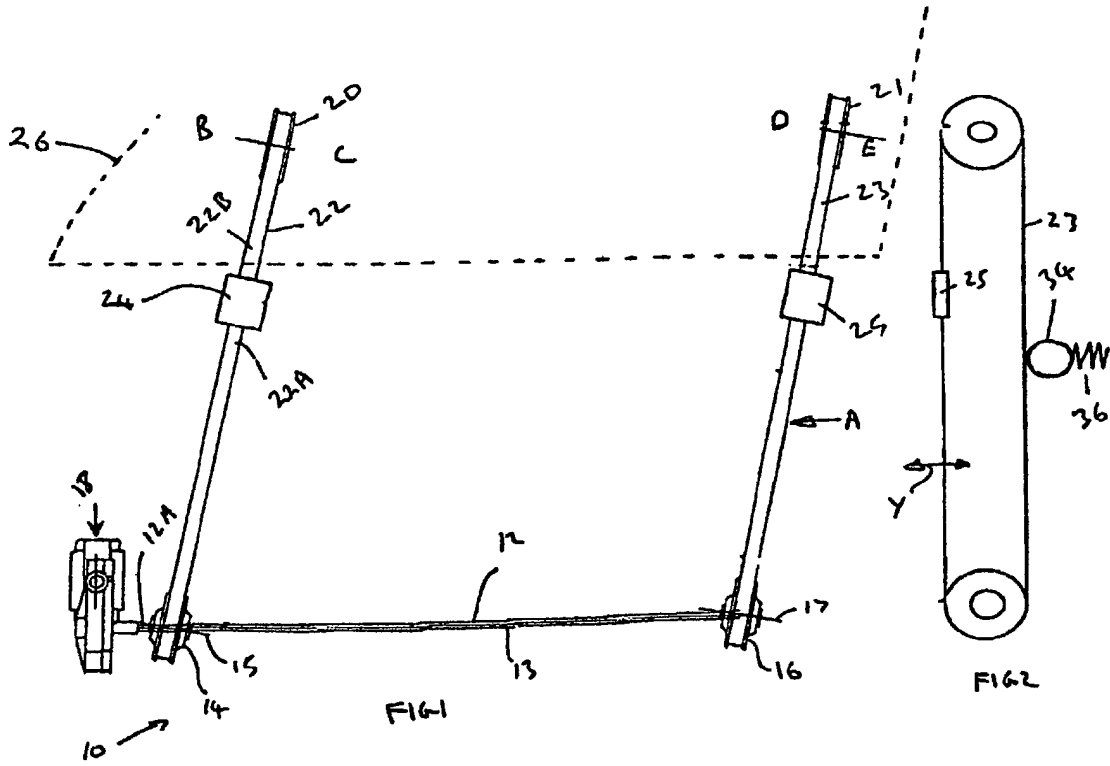
### Claims

1. A vehicle window regulator (10) including an elongate drive shaft (12) having a drive axis (13), connected at spaced locations to first (14) and second (16) drive sprockets, each drive sprocket being connected via respective first (22) and second (23) toothed drive belts to respective first (20) and second (21) idler wheels, with each drive belt including a cursor (24, 25) for connection to a window glass.
2. A vehicle window regulator as defined in claim 1 in which the drive shaft is of hexagonal, square, polygon or other non-circular cross section.
3. A vehicle window regulator as defined in claim 1 or 2 in which the position of at least one of the first (14) and second (16) drive sprockets is adjustable along the drive shaft axis.
4. A vehicle window regulator as defined in any preceding claim in which the drive sprockets axes are parallel to the drive shaft axis.
5. A vehicle window regulator as defined in any preceding claim in which the drive sprockets are driven by the drive shaft via respective drive connections which allow the sprocket axes (15, 17) to be angled relative to the drive shaft axis (13).
6. A vehicle window regulator as defined in claim 5 in which the drive connections are constant velocity drive connections.
7. A vehicle window regulator as defined in claim 5 or 6 in which each drive connection is defined by an

array of teeth on the drive shaft engaging an array of teeth in the bore of the drive sprockets.

8. A vehicle window regulator as defined in any preceding claim in which the belt is an endless belt. 5
9. A vehicle window regulator as defined in claims 1 to 7 in which the belt includes a first end connected to a first portion of the cursor a second end connected to a second portion of the cursor. 10
10. A vehicle window regulator as defined in claim 9 in which teeth (32) of the belt engage teeth (30) of the cursor to effect a connection there between. 15
11. A vehicle window regulator as defined in claim 9 or 10 in which the first and second portions of the cursor are elastomerically biased towards each other to provide for belt tensioning. 20
12. A vehicle window regulator as defined in any preceding claim in which the idler wheels are biased away from the respective drive sprockets to provide for belt tensioning. 25
13. A vehicle window regulator as defined in any preceding claim in which tensioning wheels (34) act on the belts to provide for belt tensioning.
14. A vehicle window regulator as defined in any preceding claim including a motor (18) operably connected to the drive shaft. 30
15. A vehicle window regulator as defined in claim 14 in which one (14) of the first and second drive sprockets is situated between the other (16) of the first and second drive sprockets and the motor (18). 35
16. A vehicle window regulator as defined in claim 14 in which the motor is situated between the first and second drive sprockets. 40
17. A method of assembling a vehicle door including steps of providing a vehicle door, providing a vehicle window regulator according to any preceding claim supported by a support structure, mounting the vehicle window regulator and support structure in the door. 45
18. A method of assembling a vehicle door according to claim 17 including the further step of removing some or all of the support structure from the door. 50

55





European Patent Office

EUROPEAN SEARCH REPORT

Application Number  
EP 02 25 1111

DOCUMENTS CONSIDERED TO BE RELEVANT			
Category	Citation of document with indication, where appropriate, of relevant passages	Relevant to claim	CLASSIFICATION OF THE APPLICATION (Int.Cl.7)
X	WO 98 19034 A (LINDBLAD HANS P) 7 May 1998 (1998-05-07) * page 9, line 4 - line 18; figure 16 * * page 4, line 25 - line 29 * * page 6, line 25 - line 28; figure 7 * * page 4, line 34 - line 36; figure 1 *	1,4,8, 12-15	E05F11/48 B60J1/17
A	US 6 119 400 A (OVENSHIRE H NEIL) 19 September 2000 (2000-09-19) * abstract; figure 1 *	1-18	TECHNICAL FIELDS SEARCHED (Int.Cl.7)  E05F B60J
A	DE 12 85 358 B (COLELL HANS) * column 2, line 15 - line 38; figures 1,3 *	1-18	
The present search report has been drawn up for all claims			
Place of search <b>MUNICH</b>		Date of completion of the search <b>8 May 2002</b>	Examiner <b>Christensen, J</b>
CATEGORY OF CITED DOCUMENTS X : particularly relevant if taken alone Y : particularly relevant if combined with another document of the same category A : technological background O : non-written disclosure P : intermediate document		T : theory or principle underlying the invention E : earlier patent document, but published on, or after the filing date D : document cited in the application L : document cited for other reasons & : member of the same patent family, corresponding document	

EPO FORM 1503 03.82 (P04C01)

**ANNEX TO THE EUROPEAN SEARCH REPORT  
ON EUROPEAN PATENT APPLICATION NO.**

EP 02 25 1111

This annex lists the patent family members relating to the patent documents cited in the above-mentioned European search report. The members are as contained in the European Patent Office EDP file on  
The European Patent Office is in no way liable for these particulars which are merely given for the purpose of information.

08-05-2002

Patent document cited in search report	Publication date	Patent family member(s)	Publication date
WO 9819034      A	07-05-1998	AU      4142797 A	22-05-1998
		EP      0960247 A1	01-12-1999
		SE      9603733 A	12-04-1998
		WO      9819034 A1	07-05-1998
US 6119400      A	19-09-2000	NONE	
DE 1285358      B		NONE	

EPO FORM P0459

For more details about this annex : see Official Journal of the European Patent Office, No. 12/82