



(11) **EP 1 283 029 B9**

(12) **CORRECTED EUROPEAN PATENT SPECIFICATION**

Note: Bibliography reflects the latest situation

- (15) Correction information:
Corrected version no 1 (W1 B1)
Corrections, see page(s) 9
Drawing(s) replaced or added
- (51) Int Cl.:
A61F 13/56 ^(2006.01) **A61F 13/62** ^(2006.01)
- (48) Corrigendum issued on:
13.06.2007 Bulletin 2007/24
- (45) Date of publication and mention of the grant of the patent:
30.08.2006 Bulletin 2006/35
- (21) Application number: **02255543.7**
- (22) Date of filing: **07.08.2002**

(54) **Open-Type disposable diaper**
Wegwerfwindel offenen Typs
Couche-culotte jetable de type ouvert

- | | |
|---|--|
| <p>(84) Designated Contracting States:
AT BE BG CH CY CZ DE DK EE ES FI FR GB GR IE IT LI LU MC NL PT SE SK TR</p> <p>(30) Priority: 08.08.2001 JP 2001240273</p> <p>(43) Date of publication of application:
12.02.2003 Bulletin 2003/07</p> <p>(73) Proprietor: UNI-CHARM CORPORATION
Shikokuchuo-shi,
Ehime-ken (JP)</p> | <p>(72) Inventor: Sayama, Yasushi,
c/o Technical Center
Mitoyo-gun,
Kagawa-ken 769-1602 (JP)</p> <p>(74) Representative: Parry, Christopher Stephen
Saunders & Dolleymore,
9 Rickmansworth Road
Watford, Herts. WD18 0JU (GB)</p> <p>(56) References cited:
WO-A-98/35642 GB-A- 2 080 093
US-A- 4 753 650 US-A- 4 850 988
US-A- 4 850 992 US-A- 5 370 634
US-A- 6 004 306</p> |
|---|--|

EP 1 283 029 B9

Note: Within nine months from the publication of the mention of the grant of the European patent, any person may give notice to the European Patent Office of opposition to the European patent granted. Notice of opposition shall be filed in a written reasoned statement. It shall not be deemed to have been filed until the opposition fee has been paid. (Art. 99(1) European Patent Convention).

Description

[0001] This invention relates to an open-type disposable diaper.

[0002] US-A-6004306 discloses an absorbent article having multi-directional extensible side panels each comprising a waist panel and a thigh panel.

[0003] US-A-4753650 discloses a disposable diaper having first securing means for attaching its rear portion to its front portion and second securing means for attaching its front portion to its rear portion.

[0004] Japanese Patent Publication No. 1995-227403A discloses an open-type disposable diaper. In the diaper disclosed therein, a pair of upper and lower tape fasteners extend outward from transversely opposite side edge portions in a rear waist region of the diaper in parallel to each other in a waist-surrounding direction. These tape fasteners are attached to a backsheet by means of elastically stretchable portions thereof. These tape fasteners are adapted to be anchored on a front waist region, stretching these stretchable portions in the waist-surrounding direction. Of a pair of upper and lower tape fasteners, the upper tape fastener serves to put the diaper in close contact primarily with the wearer's body and the lower tape fastener serves to put the diaper in close contact primarily with the wearer's thighs.

[0005] A pair of upper and lower tape fasteners in the diaper of well known art as disclosed in the above-cited Publication is formed with the elastic portions which are substantially identical. Therefore, while these tape fasteners are able to put the diaper on a wearer's body in close contact with the wearer's torso and thighs tightly or gently, it is difficult for such a diaper to put the diaper in close contact tightly with wearer's thighs and thereby to eliminate an anxiety that bodily discharges might leak beyond thigh-surrounding peripheral edges and at the same time to put the diaper in close contact gently with the wearer's body without disturbing the wearer's abdominal breathing. With the stretchable portions having a relatively great stretch stress, if these stretchable portions are pulled intentionally with a relatively weak force in order to put the diaper in close contact gently with the wearer's body, a gap would be formed between the diaper and the wearer's body through which bodily discharges may leak.

[0006] An object of this invention is to improve an open-type disposable diaper having a pair of connecting means, such as a pair of tape fasteners, which is lying at transversely opposite side edge portions and extending in parallel to each other so that the diaper may be put in close contact with the wearer's torso and thighs with an appropriate fitness by such a connecting means.

[0007] According to this invention, there is provided an open-type disposable diaper comprising, in a longitudinal direction, a front waist region, a rear waist region and a crotch region extending between these waist regions and contoured by transversely opposite side edge portions extending in the longitudinal direction and front and rear

end portions extending in a transverse direction of the diaper orthogonal to the longitudinal direction wherein the diaper further includes two pairs of connecting means extending in parallel to each other in the transverse direction and serving to connect the side edge portions of the front and rear waist regions.

[0008] This invention further comprises that the two pairs of connecting means are elastically stretchable in the transverse direction and the one pair of the connecting means lying at a lower portion of the side edge portions has a stretch stress greater than that of the connecting means lying at an upper portion of the side edge portions, wherein the connecting means lying at the lower portion have a stress 1.2 - 2 times as great as that of the connecting means lying at the upper portion when these connecting means are stretched by 30%, respectively. According to a preferred embodiment of this invention, the connecting means lying at the upper portion of the side edge portions extend outward from the side edge portions in the front waist region and are adapted to be anchored on the rear waist region in such a manner to be released and the connecting means lying at the lower portion of the side edge portions extend outward from the side edge portions in the rear waist region and are adapted to be anchored on the front waist region in such a manner to be released.

Fig. 1 is a side view showing a disposable diaper as put on a wearer's body;

Fig. 2 is a partially cutaway plan view showing the disposable diaper in Fig. 1;

Fig. 3 is a view similar to Fig. 1 showing a preferred embodiment of this invention;

Fig. 4 is a view similar to Fig. 2 showing another preferred embodiment of this invention;

Fig. 5 is a view similar to Fig. 3 showing still another preferred embodiment of this invention; and

Fig. 6 is a view similar to Fig. 4 showing further another preferred embodiment of this invention.

[0009] Details of the disposable diaper according to this invention will be more fully understood from the description given hereunder with reference to the accompanying drawings.

[0010] Fig. 1 is a side view showing the diaper 1 as put on a wearer's body and Fig. 2 is a partially cutaway plan view showing the diaper 1 of Fig. 1. The diaper 1 is an open-type one and comprises a liquid-pervious top-sheet 2, a liquid-impervious backsheet 3 and a liquid-absorbent core 4 interposed between these two sheets 2, 3. The top- and backsheets 2, 3 extending outward beyond a peripheral edge of the core 4 are overlaid and joined together so as to form longitudinally opposite end flaps 11, 12 and transversely opposite side flaps 13. These flaps 11, 12, 13 are respectively provided with front waist elastic members 16, rear waist elastic members 17 and thigh-surrounding elastic members 18, all of which are bonded in a stretched state to respective inner

surfaces of the top- and backsheets 2, 3. The diaper 1 is composed of, in a longitudinal direction, a front waist region 6, a rear waist region 7 and a crotch region 8 lying between these waist regions 6, 7. In the rear waist region 7, upper tape fasteners 21 and lower tape fasteners 22 extend outward from the respective side flaps 13 in a transverse direction orthogonal to the longitudinal direction of the diaper 1 as shown in Fig. 2 so that these tape fasteners 21, 22 may serve as means to connect the front and rear waist regions 6, 7 to each other. These two pairs of tape fasteners 21, 22 are made of elastomeric material, for example, an urethane rubber and respectively have upper and lower stretchable portions 23, 24 which are elastically stretchable in a transverse direction of the diaper 1 and upper and lower anchoring portions 26, 27 which are non-stretchable in the transverse direction of the diaper 1. The upper and lower stretchable portions 23, 24 are bonded to the outer surface of the backsheet 3 at proximal ends 23a, 24a, respectively and have distal ends being contiguous to the upper and lower anchoring portions 26, 27. While the upper and lower anchoring portions 26, 27 are provided on respective inner surfaces thereof with male members 28 of a mechanical fastener well known by the trade name of Magic Tape etc, respective distal ends of these anchoring portions 26, 27 are free from the male members 28 so as to be held easily. The front waist region 6 is provided on its outer surface with female members of the mechanical fasteners defining upper and lower target tape strips 31, 32 on which the respective upper and lower tape fasteners 21, 22 may be anchored in such a manner to be released.

[0011] These upper and lower tape fasteners 21, 22 are arranged so that the lower stretchable portions 24 of the lower tape fasteners 22 may have a stretch stress 1.2 - 2 times as great as that of the upper stretchable portions 23 of the upper tape fasteners 21 when the upper and lower tape fasteners 21, 22 are stretched by 30%, respectively. In wearing of the diaper 1 arranged in this manner, the lower tape fasteners 22 may be pulled with a relatively strong force to stretch the lower stretchable portions 24 and then anchored on the associated lower target tape strips 32 to put the diaper 1 in close contact tightly with the wearer's thighs and thereby to prevent leak of bodily discharges. On the other hand, the upper tape fasteners 21 may be pulled with a relatively weak force and then anchored on the associated upper target tape strips 31 to put the diaper 1 in close contact gently with the wearer's torso without a pressure on the wearer's torso.

[0012] Figs. 3 and 4 are views similar to Figs. 1 and 2, respectively, showing another preferred embodiment of this invention. In this diaper 1, the upper tape fasteners 21 extend outward from the side flaps 13 in the front waist region 6 and the lower tape fasteners 22 extend outward from the side flaps 13 in the rear waist region 7. The rear waist region 7 of the diaper 1 is provided on its outer surface with the upper target tape strips 31 on which the upper tape fasteners 21 are anchored in such a manner

to be released and the front waist region 6 of the diaper 1 is provided on its outer surface with the lower target tape strips 32 on which the lower tape fasteners 22 are anchored in such a manner to be released. The diaper arranged in this manner has the same function and effect as those has of the diaper 1 of Figs. 1 and 2. In addition, while in the diaper 1 of Figs. 1 and 2, it is possible for a baby wearing this diaper 1 to intentionally pull the upper tape fasteners 21, in the diaper 1 of Figs. 3 and 4, it is impossible to do that. In the diaper 1 according to this embodiment also, the stretchable portions 24 have a stretch stress 1.2 - 2 times as great as that of the stretchable portions 23 when the upper and lower tape fasteners 21, 22 are stretched by 30%, respectively.

[0013] Figs. 5 and 6 are views similar to Figs. 3 and 4, respectively, showing still another preferred embodiment of this invention. The diaper 1 according to this embodiment is distinguished from the diaper 1 of Figs. 3 and 4 in that the proximal ends 24a of the lower tape fasteners 22 have a vertical dimension being substantially equal to a vertical dimension of the side flaps 13 in the rear waist region 7, i.e., larger than a vertical dimension of the proximal ends 24a of Figs. 3 and 4. With this diaper 1, the lower tape fasteners 22 are first anchored on the respective lower target tape strips 32 in the front waist region 6 and then the upper tape fasteners 21 are anchored on the respective upper target tape strips 31 in the rear waist region 7. The upper and lower tape fasteners 21, 22 are partially overlaid so as not to form any gap 35 between the front and rear waist regions 6, 7 (See Fig. 3).

[0014] Without departing from the scope of this invention, the proximal ends 23a, 24a of the stretchable portions 23, 24 in the upper and lower tape fasteners 21, 22 may be formed from a non-stretchable material. It is also possible without departing from the scope of this invention to use a Y-shaped tape for a stock material for these stretchable portions 23, 24 so that the proximal ends 23a, 24a thereof may be formed by inner and outer tape layers bonded to the inner and outer surfaces of the side flaps 13, respectively in the diaper 1. Such an arrangement ensures that these proximal ends 23a, 24a may be firmly attached to the side flaps 13. According to this invention, the dimensions of the upper and lower tape fasteners 21, 22 in a waist-surrounding direction as well as in the vertical direction of the diaper 1 are not specified.

[0015] The disposable diaper according to this invention is primarily comprising two pairs of upper and lower connecting means, which are elastically stretchable and lying at the upper and lower portions of connected side edges, of which the upper connecting means have a relatively small stretch stress and the lower connecting means have a relatively great stretch stress. Such an arrangement ensures that the diaper may be put in close contact with the baby's thighs tightly to prevent bodily discharges from leaking, on one hand, and the diaper may be put in close contact with the baby's torso gently without disturbing the wearer's abdominal breathing.

Claims

1. An open-type disposable diaper (1) comprising: in a longitudinal direction, a front waist region (6), a rear waist region (7) and a crotch region (8) extending between these waist regions and contoured by transversely opposite side edge portions extending in said longitudinal direction and front and rear end portions extending in a transverse direction of said diaper orthogonal to said longitudinal direction, wherein said diaper further includes two pairs of connecting means extending in parallel to each other in said transverse direction and serving to connect said side edge portions of said front and rear waist regions, said two pairs of connecting means being elastically stretchable in said transverse direction; **characterised in that** said connecting means (22) lying at a lower portion of said side edge portions have a stretch stress greater than that of said connecting means (21) lying at an upper portion of said side edge portions; wherein said connecting means lying at said lower portion have a stress 1.2 to 2 times as great as that of said connecting means lying at said upper portion when these two pairs of said connecting means are stretched by 30%, respectively.
2. An open-type disposable diaper according to Claim 1, wherein said connecting means lying at said upper portion of said side edge portions extend outward from said side edge portions in said front waist region and are adapted to be anchored on said rear waist region in such a manner to be released and said connecting means lying at said lower portion of said side edge portions extend outward from said side edge portions in said rear waist region and are adapted to be anchored on said front waist in such a manner to be released.

Patentansprüche

1. Wegwerfwindel (1) offenen Typs, mit in Längsrichtung einem vorderen Taillenbereich (6), einem hinteren Taillenbereich (7) und einem Schrittbereich (8), der zwischen diesen Taillenbereichen verläuft und durch in der Längsrichtung verlaufende transversal entgegengesetzte Seitenkantenabschnitte und in einer Querrichtung der Windel orthogonal zu der Längsrichtung verlaufende vordere und hintere Endabschnitte geformt ist, wobei die Windel ferner zwei Paare von Verbindungseinrichtungen aufweist, die parallel zueinander in der Querrichtung verlaufen und zum Verbinden der Seitenkantenabschnitte des vorderen und des hinteren Taillenbereichs dienen, wobei die zwei Paare von Verbindungseinrichtungen elastisch in der Querrichtung dehnbar sind, **dadurch gekennzeichnet, daß** die Verbindungseinrichtungen (22), die in einem unteren Abschnitt der Seiten-

kantenabschnitte liegen, eine größere Dehnungsspannung aufweisen als die Verbindungseinrichtungen (21), die in einem oberen Abschnitt der Seitenkantenabschnitte liegen, und wobei die in dem unteren Abschnitt liegenden Verbindungseinrichtungen, eine 1,2 bis 2 mal größere Spannung aufweisen als die Verbindungseinrichtungen, die in dem oberen Abschnitt liegen, wenn diese beiden Paare von Verbindungsabschnitten jeweils um 30% gedehnt werden.

2. Wegwerfwindel offenen Typs nach Anspruch 1, wobei die Verbindungseinrichtungen, die in dem oberen Abschnitt der Seitenkantenabschnitte liegen, von den Seitenkantenabschnitten in dem vorderen Taillenbereich nach außen verlaufen und dazu ausgelegt sind, an dem hinteren Taillenbereich so verankert zu werden, daß sie ablösbar sind, und wobei die Verbindungseinrichtungen, die in dem unteren Abschnitt der Seitenkantenabschnitte liegen, von den Seitenkantenabschnitten in dem hinteren Taillenbereich nach außen verlaufen und dazu ausgelegt sind, an dem vorderen Taillenbereich so verankert zu werden, daß sie ablösbar sind.

Revendications

1. Couche-culotte jetable du type ouvert (1) comprenant dans une direction longitudinale une région de ceinture avant (6), une région de ceinture arrière (7) et une région d'entrejambes (8) s'étendant entre ces régions de ceinture et entourées par des parties de bords latéraux transversalement opposés s'étendant dans ladite direction longitudinale et des parties d'extrémités avant et arrière s'étendant dans une direction transversale de ladite couche-culotte perpendiculaire à ladite direction longitudinale, dans lequel ladite couche-culotte comporte en outre deux paires de moyens de connexion s'étendant en parallèle l'un par rapport à l'autre dans ladite direction transversale et servant à connecter lesdites parties de bords latéraux desdites régions de ceinture avant et arrière, lesdites deux paires de moyens de connexion étant élastiquement étirables dans ladite direction transversale ; **caractérisée en ce que** lesdits moyens de connexion (22) s'étendant dans une partie inférieure desdites parties de bords latéraux ont une contrainte d'étirement supérieure à celle desdits moyens de connexion (21) s'étendant dans une partie supérieure desdites parties de bords latéraux ; dans lequel lesdits moyens de connexion s'étendant dans ladite partie inférieure ont une contrainte 1,2 à 2 fois plus grande par rapport à celle desdits moyens de connexion s'étendant dans ladite partie supérieure lorsque ces deux paires de dits moyens de connexion sont étirées respectivement de 30%.

2. Couche-culotte jetable du type ouvert selon la revendication 1, dans laquelle lesdits moyens de connexion s'étendant dans ladite partie supérieure desdites parties de bords latéraux s'étendent vers l'extérieur à partir desdites parties de bords latéraux dans ladite région de ceinture avant et sont adaptées à être ancrées sur ladite région de ceinture arrière de telle manière à être libérées et lesdits moyens de connexion s'étendant dans ladite partie inférieure desdites parties de bords latéraux s'étendent vers l'extérieur à partir desdites parties de bords latéraux dans ladite région de ceinture arrière et sont adaptées à être ancrées sur ladite ceinture avant de façon à être libérées.

5

10

15

20

25

30

35

40

45

50

55

FIG.2

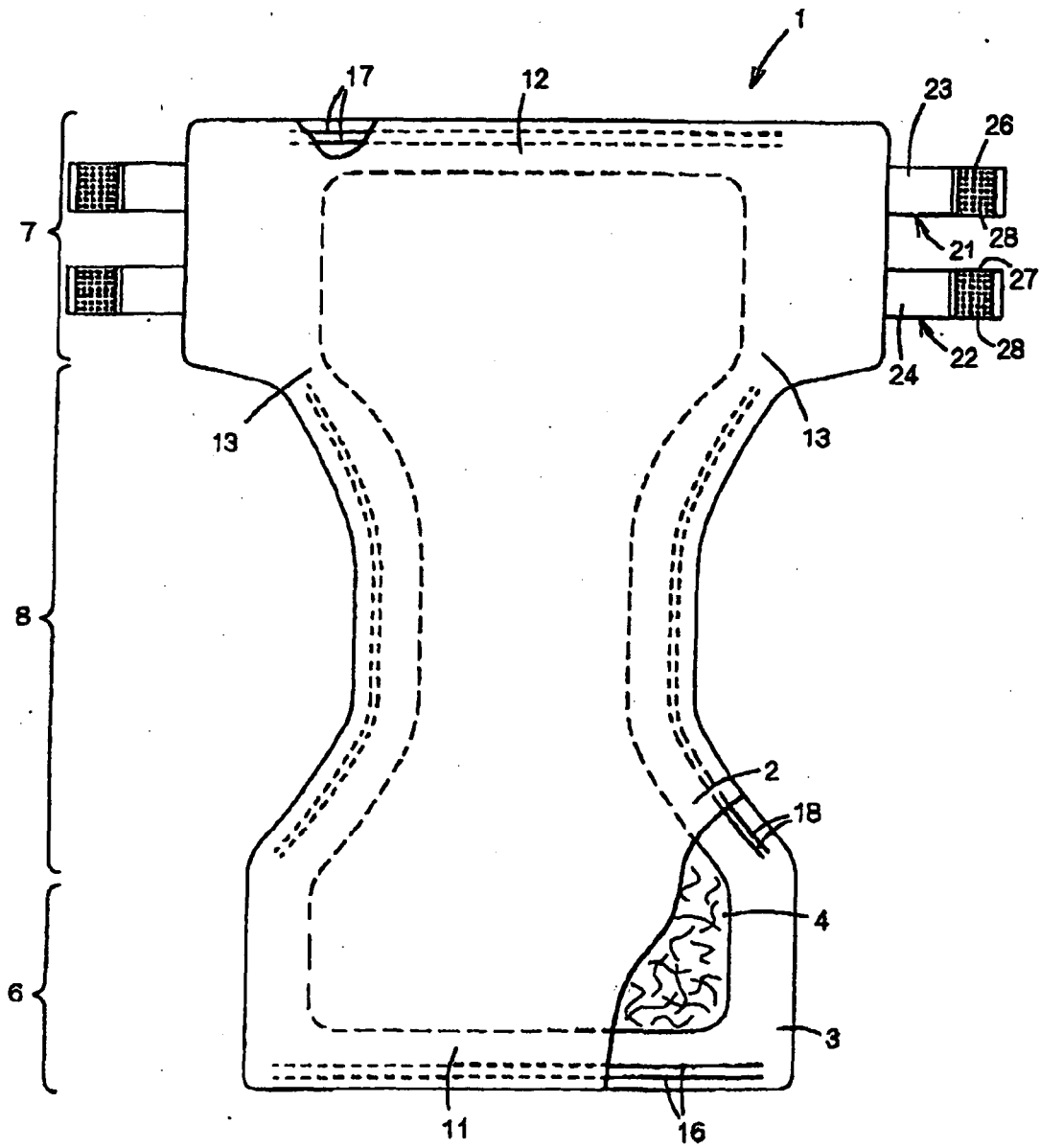


FIG.3

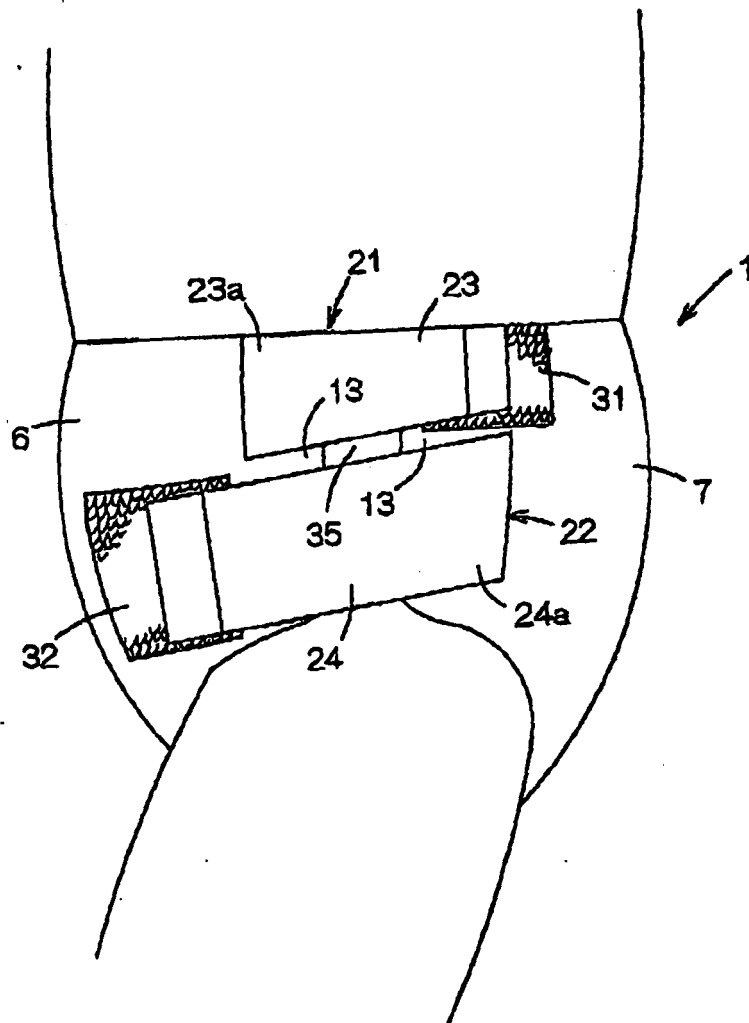


FIG.4

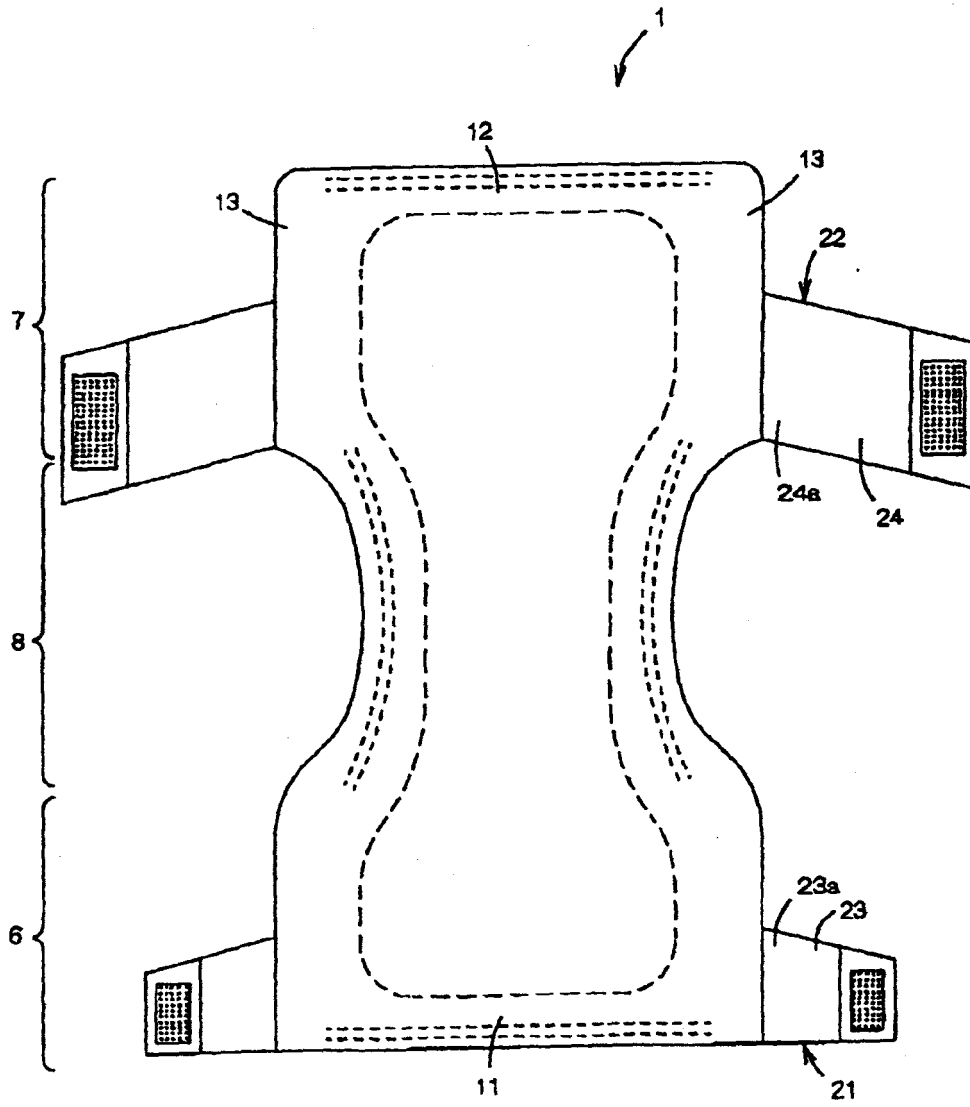


FIG.5

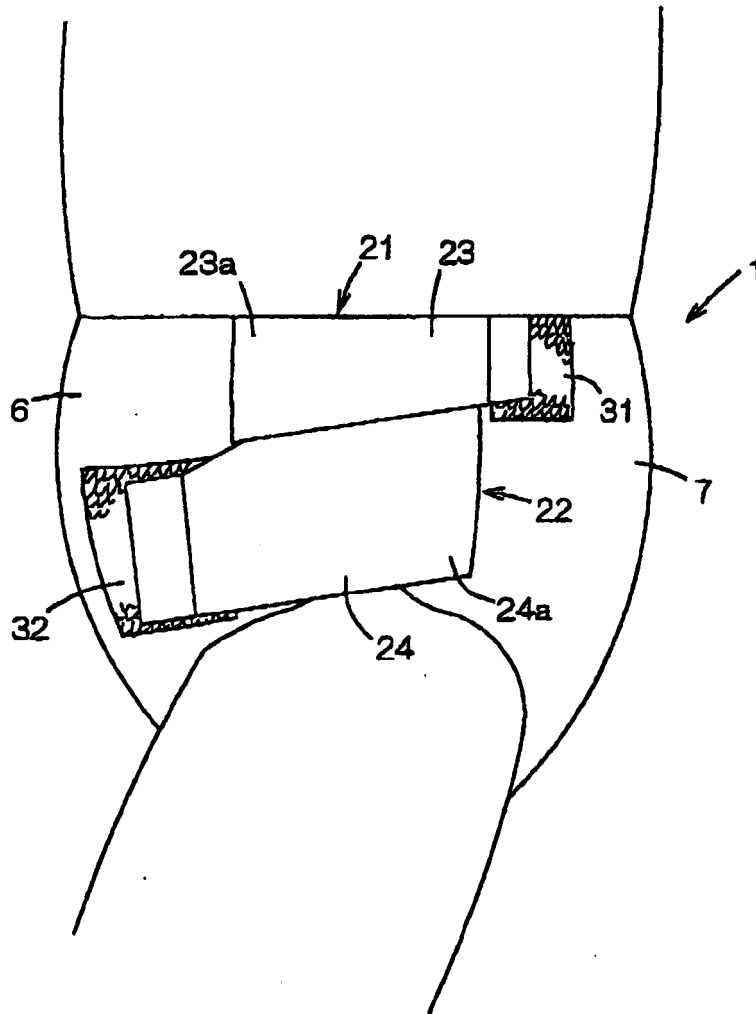
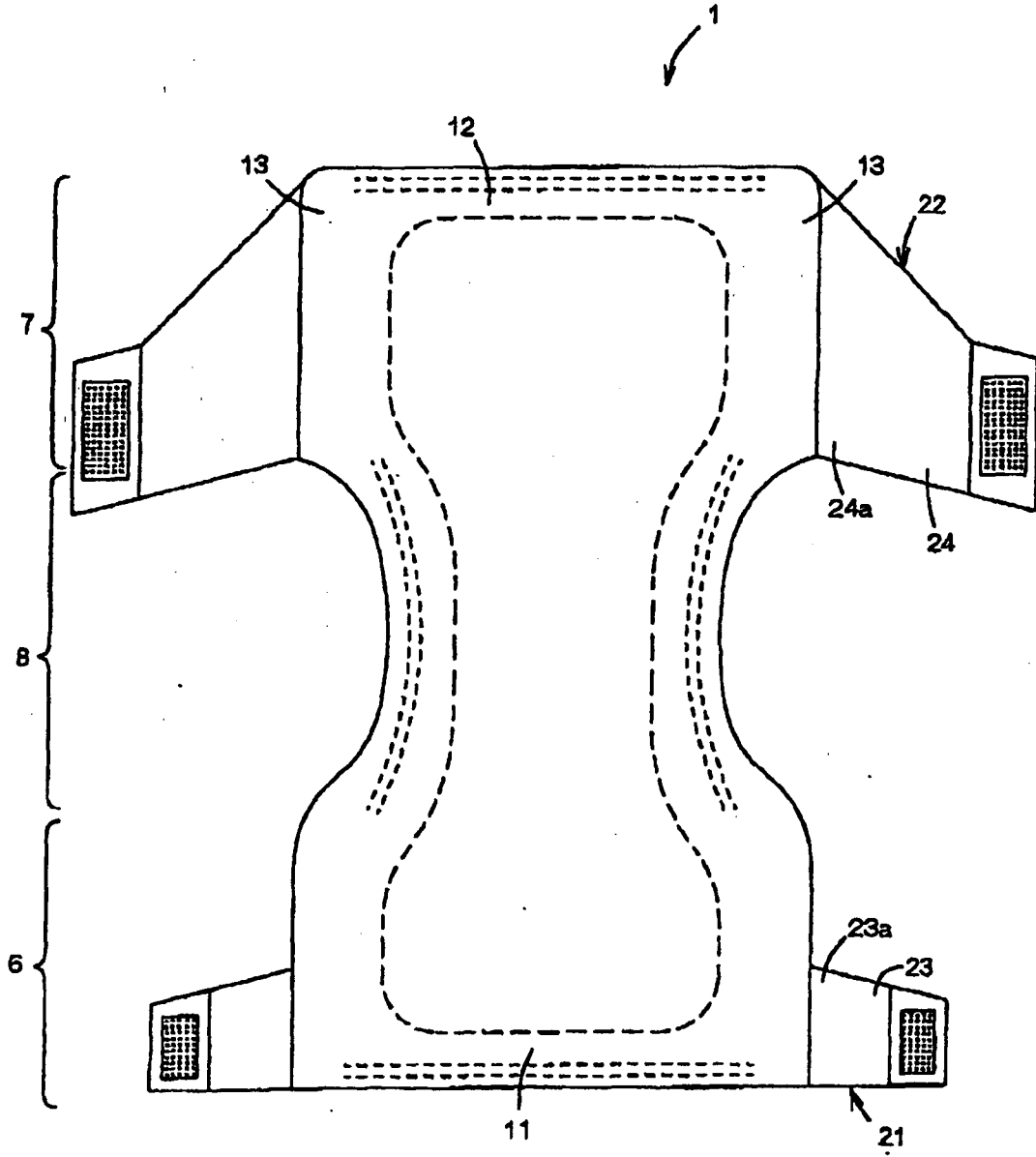


FIG.6



REFERENCES CITED IN THE DESCRIPTION

This list of references cited by the applicant is for the reader's convenience only. It does not form part of the European patent document. Even though great care has been taken in compiling the references, errors or omissions cannot be excluded and the EPO disclaims all liability in this regard.

Patent documents cited in the description

- US 6004306 A [0002]
- US 4753650 A [0003]
- JP 7227403 A [0004]