



Europäisches Patentamt  
European Patent Office  
Office européen des brevets



(11) **EP 1 322 014 A8**

(12) **CORRECTED EUROPEAN PATENT APPLICATION**

Note: Bibliography reflects the latest situation

(15) Correction information:  
**Corrected version no 1 (W1 A2)**  
**INID code(s) 22**

(51) Int Cl.7: **H02G 3/18**

(48) Corrigendum issued on:  
**03.03.2004 Bulletin 2004/10**

(43) Date of publication:  
**25.06.2003 Bulletin 2003/26**

(21) Application number: **02258260.5**

(22) Date of filing: **03.12.2002**

(84) Designated Contracting States:  
**AT BE BG CH CY CZ DE DK EE ES FI FR GB GR**  
**IE IT LI LU MC NL PT SE SK TR**  
Designated Extension States:  
**AL LT LV MK RO SI**

(72) Inventors:  
• **Berges, Jon**  
**San Clemente, California 92672 (US)**  
• **Call, Ray**  
**Mission Viejo, California 92691 (US)**

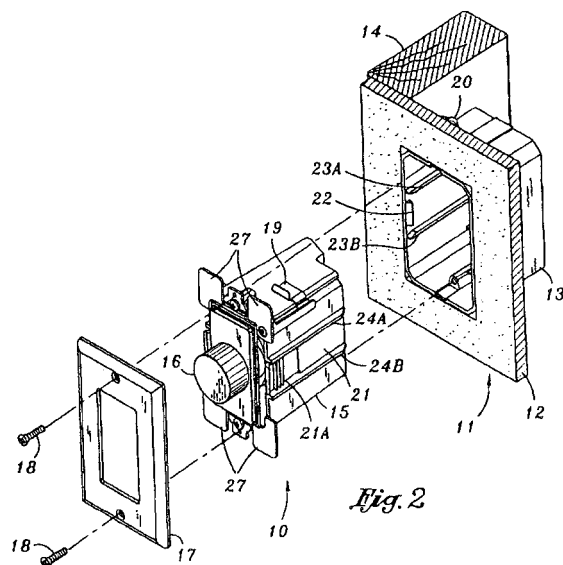
(30) Priority: **03.12.2001 US 5809**

(74) Representative: **Maury, Richard Philip et al**  
**Sommerville & Rushton,**  
**45 Grosvenor Road**  
**St. Albans, Herts AL1 3AW (GB)**

(71) Applicant: **Dana Innovations**  
**San Clemente, California 92672-7531 (US)**

(54) **Wall-mounted audio control housing and receptacle therefor**

(57) An apparatus for mounting an audio control in a wall is disclosed. The apparatus includes a wall-mountable housing having cleats on the front inner rim thereof and a first set of horizontal ribs spaced equally along the interior walls thereof. An audio control housing is provided for supporting the audio control and engagement of the audio control to the wall-mounted housing. The audio control housing includes flex fingers with ridges formed thereon. The flex finger ridges are operative to retractably engage the cleats to secure the audio control housing within the wall-mounted housing. The ridges are set at different spacings apart so that the audio control housing may be engagably received within the wall-mounted housing set at different depths.



EP 1 322 014 A8