



(11) **EP 1 589 469 B9**

(12) **CORRECTED EUROPEAN PATENT SPECIFICATION**

Note: Bibliography reflects the latest situation

(15) Correction information: **Corrected version no 1 (W1 B1)**  
**Corrections, see Claims EN**

(51) Int Cl.: **G06K 17/00 (2006.01) G06K 1/12 (2006.01)**

(48) Corrigendum issued on:  
**20.02.2008 Bulletin 2008/08**

(45) Date of publication and mention of the grant of the patent:  
**31.10.2007 Bulletin 2007/44**

(21) Application number: **05005753.8**

(22) Date of filing: **16.03.2005**

(54) **Label and RFID tag issuing apparatus comprising an RFID reader/writer and a printer**

Ausgabegerät für Etiketten, mit einem RFID Lese-/Schreibgerät und einem Drucker

Distributeur d'étiquettes avec un lecteur/enregistreur RFID et un imprimeur

(84) Designated Contracting States:  
**DE FR GB**

(30) Priority: **02.04.2004 JP 2004110211**

(43) Date of publication of application:  
**26.10.2005 Bulletin 2005/43**

(73) Proprietor: **Toshiba TEC Kabushiki Kaisha**  
**Tokyo 141-8664 (JP)**

(72) Inventors:

- **Sano, Kouichi , c/o Toshiba Tec Corporation**  
**Shinagawa-ku**  
**Tokyo 141-8664 (JP)**
- **Murofushi, Nobuo, c/o Toshiba Tec Corporation**  
**Shinagawa-ku**  
**Tokyo 141-8664 (JP)**

- **Kiji, Yasuhito, c/o Toshiba Tec Corporation**  
**Shinagawa-ku**  
**Tokyo 141-8664 (JP)**
- **Matsumoto, Yasuo , c/o Toshiba Tec Corporation**  
**Shinagawa-ku**  
**Tokyo 141-8664 (JP)**

(74) Representative: **Kramer - Barske - Schmidtchen**  
**European Patent Attorneys**  
**Landsberger Strasse 300**  
**80687 München (DE)**

(56) References cited:  
**US-A1- 2003 214 388 US-B1- 6 557 758**  
**US-B1- 6 593 853**

- **PATENT ABSTRACTS OF JAPAN vol. 2000, no. 25, 12 April 2001 (2001-04-12) & JP 2001 229344 A (TOSHIBA CORP), 24 August 2001 (2001-08-24)**

**EP 1 589 469 B9**

Note: Within nine months from the publication of the mention of the grant of the European patent, any person may give notice to the European Patent Office of opposition to the European patent granted. Notice of opposition shall be filed in a written reasoned statement. It shall not be deemed to have been filed until the opposition fee has been paid. (Art. 99(1) European Patent Convention).

## Description

**[0001]** The present invention relates to a label and RFID tag issuing apparatus comprising a recording apparatus for recording information on a recording medium and an RFID tag reading/writing apparatus. The invention particularly relates to a production label and RFID tag issuing apparatus that issues a production label and an RFID tag, comprising a recording apparatus that records information on a recording medium to be affixed to a container used in factory automation (FA) process or other applications, and an RFID tag reading/writing apparatus that can write to the RFID tag coupled with the recording medium part of the information recorded on the recording medium.

**[0002]** Today, to manage articles, a bar-code and RFID tag are used in combination. Japanese patent application Kokai publication No. 2001-229344 describes a data processing apparatus that can convert data between bar-code data and RFID tag data and manage articles using the converted data. This data processing apparatus comprises an RFID tag reader/writer, a data converting means for converting data between bar-code data and RFID tag data, a bar-code reader, and a bar-code printer. The apparatus operates such that the data converting means converts bar-code data decoded from a bar-code that is read by a bar-code reader into RFID tag data, which is then written to an RFID tag, while the data converting means converts RFID tag data read from an RFID tag by the RFID tag reader/writer into bar-code data, which is then input to a printer and recorded. Thereby, for example, data of a bar-code recorded on a contained article can be registered in an RFID tag of a carried container, and data related to an article can be efficiently managed.

**[0003]** In a FA process, for example, a production article or articles such as personal ornaments contained in a container move between a plurality of work flow stages, at each of which an operator does his/her prescribed work picking up the articles from the container and puts them back to the container after finishing the work. In order to manage the traveling container and production articles therein, an RFID tag storing managing data and a production label recording the managing data are attached to one container so that the managing data can be electronically managed by using the RFID tag and the operator can visually confirm the production article by the production label.

**[0004]** In such a case, the managing data recorded in the production label on the container must correspond to the managing data stored in the RFID tag that is attached to the same container. However, the data processing apparatus described in Japanese patent application Kokai publication No. 2001-229344 is not structured such that a production label and an RFID tag are affixed to the same container wherein issuing of the production label containing managing data to be affixed to the container is related to issuing of an RFID tag contain-

ing managing data to be attached to the container. Therefore, a problem arises that an operator accidentally affixes a production label to a wrong container to which an RFID tag that does not correspond to the production label is attached.

**[0005]** US 6 593 853, US 2003/214388 and US 6 557 758 disclose apparatus according to the preamble of claim 1.

**[0006]** An object of the present invention is to provide an apparatus for issuing a recording medium and an RFID tag coupled with the recording medium, maintaining a tight relation between the recording medium such as production label that records information and the RFID tag to which part of the information of the recording label is written.

**[0007]** This is achieved by the present invention as defined in claim 1. Further advantageous embodiments of the invention are defined in the dependent claims.

FIG. 1 is a block diagram of a functional structure pertaining to the first embodiment.

FIG. 2 is a diagram illustrating a container used in the first embodiment.

FIG. 3 is a flow chart illustrating a process of label and RFID tag issuing controlled by the control section in the first embodiment.

FIG. 4 is a block diagram of a functional structure pertaining to the second embodiment.

FIG. 5 is a flow chart illustrating a process of label and RFID tag issuing controlled by the control section in the second embodiment.

**[0008]** Preferred embodiments of the present invention will now be described in more detail with reference to the accompanying drawings. The same numerals are applied to the similar elements in the drawings, and therefore, the detailed descriptions thereof are not repeated.

(First embodiment)

**[0009]** As shown in FIG. 1, the label and RFID tag issuing apparatus according to the first embodiment consists of a control section 1, a weight sensor 2 connected to the control section 1, an RFID tag reader/writer 3, a printer 4, a display 5, an input section 6, and a bar-code reader 7. The weight sensor 2 detects the container 8 loaded on a container loading plate 9. The bar-code reader 7 is of a handy type that is convenient to handle in a production process. The control section 1 is a control means consisting of a microprocessor and memory and others, and controls outputting recording data to the printer 4 according to programs, outputting information to be displayed to the display 5, inputting input data from the input section 6, inputting bar-code data from the bar-code reader 7. The printer 4 may be any of a thermal printer, ink jet printer, wire-dot printer, etc.

**[0010]** When this label and RFID tag issuing apparatus is used on a process of manufacturing articles, for exam-

ple, personal ornaments, the weight sensor 2 is installed in the container loading plate 9 for loading a container 8 containing the manufacturing articles, and detects the container 8 loaded on this container loading plate 9. The control section 1 detects presence of the container by inputting output from the weight sensor 2 and judging if a magnitude of the output conforms to the weight of the container 8.

**[0011]** As shown in FIG. 2, the container 8 is provided with a pocket on a surface of the container at its lower part for containing and holding the RFID tag 10, and the upper part of the container on the surface is designed so that the recording paper 12, which is to become a production label, can be affixed thereto. The production label herein refers to a printed material on which information needed for manufacturing a product such as production number, product name, process instructions instructing works to be carried out in individual stages of the process is recorded. It is so structured that the RFID tag 10 can be contained in and taken out of a container pocket 11. The container 8, which contains trinkets such as personal ornaments, forms a box having a lid so as to prevent the articles contained therein from being scattered. The form of the container may be designed according to the size of an article or articles to be manufactured.

**[0012]** The control section 1 is configured so as to output to the RFID tag reader/writer 3 data to be written to the RFID tag 10 and input data that the RFID tag reader/writer 3 has read from the RFID tag 10. The RFID tag reader/writer 3 is connected to an antenna 13 disposed in the vicinity of the container loading plate 9. The RFID tag reader/writer 3 radiates an electromagnetic wave through the antenna to the container carrying the RFID tag 10 on the container loading plate 9. The RFID tag 10 generates a power from the electromagnetic wave received, writes and reads data to/from the RFID tag 10, and transmits the data to the RFID tag reader/writer 3.

**[0013]** The printer 4 records production information including a bar-code, that is, data pertaining to production on the recording paper 12. The display 5 displays information for indicating to an operator. The input section 6 inputs data to record on the recording paper 12 and data to be written to the RFID tag 10. The bar-code reader 7 is used to read a bar-code 12a on the recording paper 12 when a bar-code is recorded thereon.

**[0014]** FIG. 3 is a flow chart illustrating operation of the label and RFID tag issuing apparatus according to this embodiment. In step S1, information to be written and recorded onto the RFID tag and recording paper is inputted from the input section. In step S2, it is judged whether or not the container 8 is on the container loading plate 9 by taking the output from the weight sensor 2.

**[0015]** If presence of the container 8 is detected, in step S3, the control section 1 controls the RFID tag reader/writer 3 so that the RFID tag reader/writer 3 writes part of production information to be recorded by the printer 4, for example, a production number, into the RFID tag 10 attached to the container 8. When the writing is done, in

step S4, the RFID tag reader/writer 3 reads the production number that has been written just now. In step S5, the read production number is now compared to one written to examine if the production number has been correctly written to the RFID tag 10. If a judge is made that it is not correctly written, the writing is reiterated.

**[0016]** If a judge is made that it is written correctly, in step S6, presence of the container 8 on the container loading plate 9 is then checked. If presence of the container 8 is confirmed, in step S7, the control section 1 controls the printer 4 so that the printer 4 records on the recording paper 12 information pertaining to production including a bar-code that corresponds to the production number written to the RFID tag. Then, an operator adheres this recording paper 12 on the container 8 to which the RFID tag 10 is attached.

**[0017]** After this recording has been done, in step S8, the process control keeps monitoring whether or not the container is removed from the container loading plate 9 while observing the weight of the container on the loading plate. If the removal of the container 8 is acknowledged, then in step S9, the apparatus waits entry of "termination of the issue process" from the input section 6. In step S9, if input of the termination is not received, then, the process control waits in step S1 entry from the input section 6 of information to be issued in a subsequent process. If the termination of the issue process is received, the current control of the issue process terminates.

**[0018]** In this embodiment, when an operator inputs information to be issued, wherein the container 8 holding the RFID tag 10 in the pocket 11 in which no data has been written is placed on the container loading plate 9, the control section 1 first confirms the presence of the container 8 on the container loading plate 9 by the output from the weight sensor 2 and writes a production number into the RFID tag 10 controlling the RFID tag reader/writer 3. The production number just written is read back to the apparatus to check if the number has been written correctly. If the correct writing is verified, presence of the container 8 on the container loading plate 9 is rechecked, and production information including a bar-code that corresponds to the production number written to the RFID tag 10 is recorded onto recording paper 12 by the printer 4.

**[0019]** In this manner, the apparatus can write a production number to the RFID tag 10 in a state that the container 8 is placed on the container loading plate 9, and issue recording paper 12 on which production information including a bar-code corresponding to one written to the RFID tag 10 has been recorded, assuring that the container 8 is still on the container loading plate 9. That is, when the recording paper 12 recording production information including a bar-code corresponding to one written to the RFID tag 10 is issued, the container 8 carrying the corresponding RFID tag 10 surely exists on the container loading plate 9.

**[0020]** The operator needs only to take the container 8 on the container loading plate 9 and affix the recording

paper 12 just issued on the container 8. By this action, the recording paper 12 which records production information including bar-code 12a corresponding to one written to the RFID tag 10 can be surely affixed on the container 8, as shown in FIG. 2.

**[0021]** Because removal of the container from the container loading plate 9 by the operator automatically leads to a stage that the apparatus waits a subsequent issue process, the subsequent issue process cannot commence in a state that the previous container is being left on the container loading plate 9. Accordingly, there would be no fear that a recording paper 12 recording production information that does not correspond to a production number written in the RFID tag 10 attached to one container 8 could be affixed to the same container 8.

(Second Embodiment)

**[0022]** FIG. 4 shows a label and RFID tag issuing apparatus using an optical sensor 14 as a detecting means. The structure of this embodiment excluding the optical sensor 14 is the same as one of the first embodiment.

**[0023]** For the optical sensor, a reflective type that incorporates a combination of a light emitting element and photo acceptance element is used. This optical sensor detects presence of the container 8 on the container loading plate 9, when the container 8 is placed on the container loading plate 9, by the output of the photo acceptance element, which receives light that is emitted from the light-emitting element and then reflected on the container 8. In this way, the same effect can be attained using an optical sensor as the detecting means.

**[0024]** Although the above descriptions were made for structures using the weight sensor and optical sensor, this invention is not limited to such practices. It is possible to make the RFID tag reader/writer 3 serve as double functional apparatus, eliminating use of such sensors. Specifically, first, the RFID tag 10 storing dummy data is prepared beforehand, and the RFID tag reader/writer 3 is provided to operate constantly. In this state, when the container 8 is placed on the container loading plate 9, the RFID tag reader/writer 3 detects the presence of the container 8 on the container loading plate 9 by reading the dummy data from the RFID tag 10. After a real production number has been written to the RFID tag 10, the presence of the container 8 on the container loading plate 9 can be detected by reading the production number. By making the RFID tag reader/writer 3 serve also as a detecting means in this manner, the apparatus structure can be simplified.

(Third Embodiment)

**[0025]** A structure of the label and RFID tag issuing apparatus according to the third embodiment not forming part of the claimed invention is shown in FIG. 1. The container 8 used therein carries the recording paper 12 recording a bar-code and the RFID tag 10, as illustrated

in FIG. 2. The controller 1 performs the issue process according to the procedure described in FIG. 5. That is, after information to be issued is taken in from the input section 6 in step S11, presence of the container 8 on the container loading plate 9 is judged by the output from the weight sensor in step 12.

**[0026]** After the presence of the container 8 is confirmed, in step 13, the controller 1 makes the printer 4 print on the recording paper 12 production information including a bar-code corresponding to a production number. First, a recording paper 12 is issued, and then, in step 14, the bar-code reader 7 reads the bar-code 12a recorded on the issued recording paper 12. In this instance, the controller 1 makes a display device indicate an instruction urging an operator to read and confirm the recorded bar-code, and the operator operates the bar-code reader 7 to read the recorded bar-code according to the instruction. In step 15, the bar-code that has been read is compared with the bar-code data that has been recorded on the recording paper in step 13 to judge if the data of the bar-code has been correctly recorded.

**[0027]** When correctness of the recording is verified, in step S16, presence of the container 8 on the container loading plate 9 is checked. If the presence of the container 8 is confirmed, in step S17, the controller 1 makes the RFID tag reader/writer 3 write to RFID tag 10 data corresponding the bar-code, for example, a production number, which is part of information pertaining to production recorded on the recording paper 12. With this writing done, in step S18, the RFID tag reader/writer 3 reads the production number that has just been written. In step S19, the production number that has been read is compared with one that was originally written so that check is made to see if the production number was correctly written to RFID tag 10. If a failure of correct writing is judged, writing to the RFID tag 10 is reiterated.

**[0028]** If correct writing is verified, in step S20, the process control watches if the container 8 is removed from the container loading plate 9 and judges so if it has been done. When the removal of the container 8 is confirmed, in step S21, the process control watches if "termination of the issue process" is received from the input section 6 and judges so if it has been done. Unless it is received, the process control waits entry of information to be issued for a subsequent issue process from the input section 6. If "termination of the issue process" is confirmed, the current issue process terminates.

**[0029]** In this structure of the embodiment, first, production information including a bar-code data corresponding to a production number is recorded on a recording paper 12 in a state that the container 8 is placed on the container loading plate 9. Then, the production number is written to the RFID tag 10 in a state that the container 8 is placed on the container loading plate 9. Because the container 8 to which the recording paper 12 is affixed remains on the container loading plate 9 until the production number is written on it, the operator only needs to withdraw the container 8 on the container load-

ing plate 9 and affix the recorded paper 12 to the container at the point when the writing of the production number has been completed. In this case also, the recording paper 12 recording the production information including a bar-code corresponding to the production number written to the RFID tag 10 can be certainly affixed to the container 8.

**[0030]** In this embodiment also, an optical sensor can be used as a detecting means instead of the weight sensor. Alternatively, the RFID tag reader/writer may be used as a dual-purpose apparatus having a function of the detecting means by writing dummy data in the RFID tag 10.

**[0031]** In the above embodiments, descriptions have been made for structures in which presence of the container carrying an RFID tag is detected by a detecting means. This invention is not limited to such structures. There may be such a structure in which the container and RFID tag are separated and only RFID tag is detected by a detecting means. Even in this case, since the RFID tag can be related to a recording paper, the two media would need to be attached to a common container.

**[0032]** Although the above descriptions have been made as examples using a production label like one used in automated factory processes, the invention is not limited to those practices. This label and RFID tag issuing apparatus can be adapted in applications of stock control and physical distribution management, wherein a label that records data related to data having been written to an RFID tag is affixed to a container.

**[0033]** Numerous modifications and variations of the present invention are possible in light of the above teachings. It is therefore to be understood that, within the scope of the appended claims, the present invention can be practiced in a manner other than as specifically described therein.

## Claims

1. A label and RFID tag issuing apparatus comprising a printer (4) adapted to record information on a recording medium (12) to be affixed to a container (8), an RFID tag reader/writer (3) adapted to write information to an RFID tag (10), and a controller (1) adapted to control the printer (4) and the RFID tag reader/writer (3) **characterized by** detecting means (2, 14) adapted to detect presence of a container (8) to which an RFID tag (10) is attached, wherein, when the detecting means (2, 14) detects the presence of the container (8) after the RFID tag reader/writer (3) has written part of the information to be recorded on the recording medium (12) to the RFID tag (10), the controller (1) is adapted to authorize the printer (4) to record the recording information including the information having been written to the RFID tag (10).
2. An apparatus according to claim 1, wherein the controller (1) is adapted to authorize the RFID tag reader/writer (3) to write recording information to be recorded on a subsequent recording medium (12) to a subsequent RFID tag (10) when the printer (4) completes recording on the recording medium (12) and the detecting means (2, 14) detects an absence of the RFID tag (10) or the container (8) carrying the RFID tag (10).
3. An apparatus according to claim 1 or 2, wherein the detecting means (2, 14) is a weight sensor (2).
4. An apparatus according to claim 1 or 2, wherein the detecting means (2, 14) is an optical sensor (14).
5. An apparatus according to anyone of the preceding claims, wherein the detecting means (2, 14) is adapted to detect the presence of a container (8) by reading data written to an RFID tag (10) attached to the container (8).
6. An apparatus according to any one of the preceding claims, wherein the printer (4) adapted to record a bar-code (12a) the recording medium (12), said bar-code containing, either in part or in full, information that has been written to the RFID tag (10).

## Patentansprüche

1. Eine Etiketten- und RFID-Tag-Ausgabevorrichtung enthaltend einen Drucker (4), der ausgelegt ist zum Aufzeichnen von Information auf einem Aufzeichnungsmedium (12), das an einem Behälter (8) anzubringen ist, einen RFID-Tag-Leser/Schreiber (3), der ausgelegt ist zum Schreiben von Information auf ein RFID-Tag (10), und eine Steuerung (1), die ausgelegt ist zum Steuern des Druckers (4) und des RFID-Tag-Lesers/Schreibers (3), **gekennzeichnet durch** ein Detektionsmittel (2, 14), das ausgelegt ist zum Detektieren des Vorhandenseins eines Behälters (8), an dem ein RFID-Tag (10) angebracht ist, wobei wenn das Detektionsmittel (2, 14) das Vorhandensein des Behälters (8) detektiert, nachdem der RFID Tag Leser/Schreiber (3) einen Teil der Information, die auf dem Aufzeichnungsmedium (12) aufzuzeichnen ist, auf das RFID-Tag (10) geschrieben hat, die Steuerung (1) ausgelegt ist den Drucker (4) zu autorisieren die Aufzeichnungsinformation, enthaltend die Information, die auf das RFID Tag (10) geschrieben worden ist, aufzuzeichnen.
2. Vorrichtung nach Anspruch 1, wobei die Steuerung (1) ausgelegt ist zum Autorisieren des RFID-Tag-Lesers/Schreibers (3) Aufzeichnungsinformation, die auf ein nachfolgendes Aufzeichnungsmedium aufzuzeichnen ist, auf ein nachfolgendes RFID Tag

- (10) zu schreiben, wenn der Drucker (4) ein Aufzeichnen auf das Aufzeichnungsmedium (12) beendet und das Detektionsmittel (2, 14) ein Fehlen des RFID-Tags (10) oder des Behälters (8), der das RFID Tag (10) trägt, detektiert. 5
3. Vorrichtung nach Anspruch 1 oder 2, wobei das Detektionsmittel (2, 14) ein Gewichtssensor (2) ist.
4. Vorrichtung nach Anspruch 1 oder 2, wobei das Detektionsmittel (2, 14) ein optischer Sensor (14) ist. 10
5. Vorrichtung nach einem der vorangegangenen Ansprüche, wobei das Detektionsmittel (2, 14) ausgelegt ist zum Detektieren des Vorhandenseins eines Behälters (8) durch Lesen von Daten, die auf ein RFID Tag (10) geschrieben sind, das auf dem Behälter (8) angebracht ist. 15
6. Vorrichtung nach einem der vorangegangenen Ansprüche, wobei der Drucker (4) ausgelegt ist einen Strichcode (12a) auf dem Aufzeichnungsmedium (12) aufzuzeichnen, wobei der Strichcode entweder teilweise oder vollständig Information enthält, die auf das RFID Tag (10) geschrieben worden ist. 20 25
- plit un enregistrement sur le support d'enregistrement (12) et que les moyens de détection (2, 14) détectent une absence de l'étiquette RFID (10) ou du conteneur (8) qui porte l'étiquette RFID (10).
3. Appareil selon la revendication 1 ou 2, dans lequel les moyens de détection (2, 14) sont un détecteur de poids (2).
4. Appareil selon la revendication 1 ou 2, dans lequel les moyens de détection (2, 14) sont un capteur optique (14).
5. Appareil selon l'une quelconque des revendications précédentes, dans lequel les moyens de détection (2, 14) sont adaptés pour détecter la présence d'un conteneur (8) en lisant des données écrites sur une étiquette RFID (10) qui est fixée sur le conteneur (8).
6. Appareil selon l'une quelconque des revendications précédentes, dans lequel l'imprimante (4) est adaptée pour enregistrer un code à barre (12a) sur le support d'enregistrement (12), ledit code à barre (12a) contenant, en partie ou en totalité, des informations qui ont été écrites sur l'étiquette RFID (10).

## Revendications

1. Appareil de distribution d'étiquettes et d'étiquettes d'identification par radiofréquence (RFID) comprenant une imprimante (4) qui est adaptée pour enregistrer des informations sur un support d'enregistrement (12) à fixer sur un conteneur (8), un lecteur / enregistreur d'étiquettes RFID (3) qui est adapté pour écrire des informations sur une étiquette RFID (10), et un contrôleur (1) qui est adapté pour contrôler l'imprimante (4) et le lecteur / enregistreur d'étiquettes RFID (3) **caractérisé par** des moyens de détection (2, 14) qui sont adaptés pour détecter la présence d'un conteneur (8) sur lequel une étiquette (10) est fixée, 30 35 40 45 50
- dans lequel, quand les moyens de détection (2, 14) détectent la présence du conteneur (8), après que le lecteur / enregistreur d'étiquettes RFID (3) a écrit une partie des informations à enregistrer sur le support d'enregistrement (12), sur l'étiquette RFID (10), le contrôleur (1) est adapté pour autoriser l'imprimante (4) à enregistrer les informations d'enregistrement contenant les informations qui ont été écrites sur l'étiquette RFID (10).
2. Appareil selon la revendication 1, dans lequel le contrôleur (1) est adapté pour autoriser le lecteur / enregistreur d'étiquettes RFID (3) à écrire des informations d'enregistrement à enregistrer sur un support d'enregistrement suivant (12), sur une étiquette RFID suivante (10), quand l'imprimante (4) accom- 55

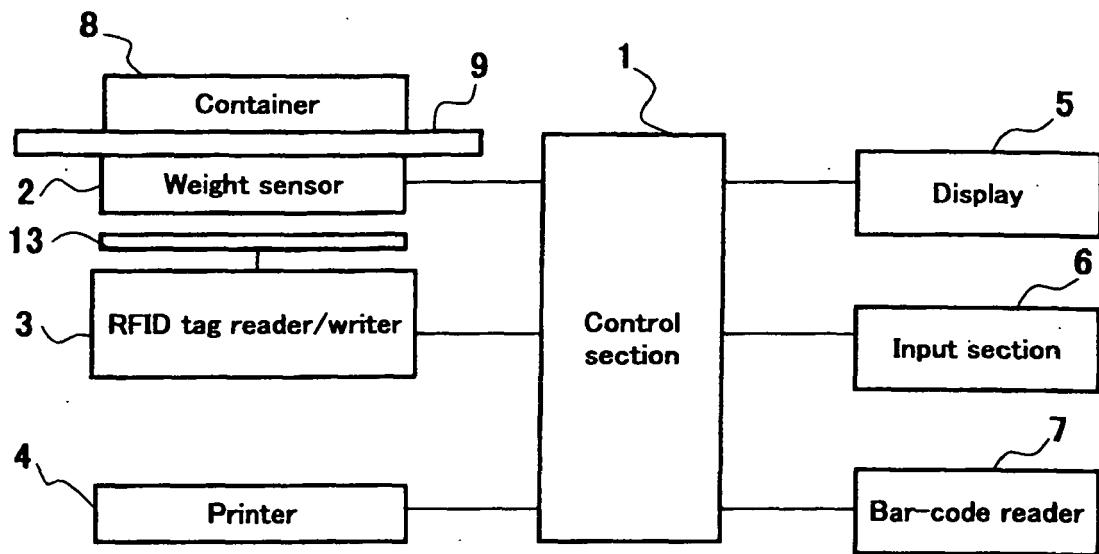
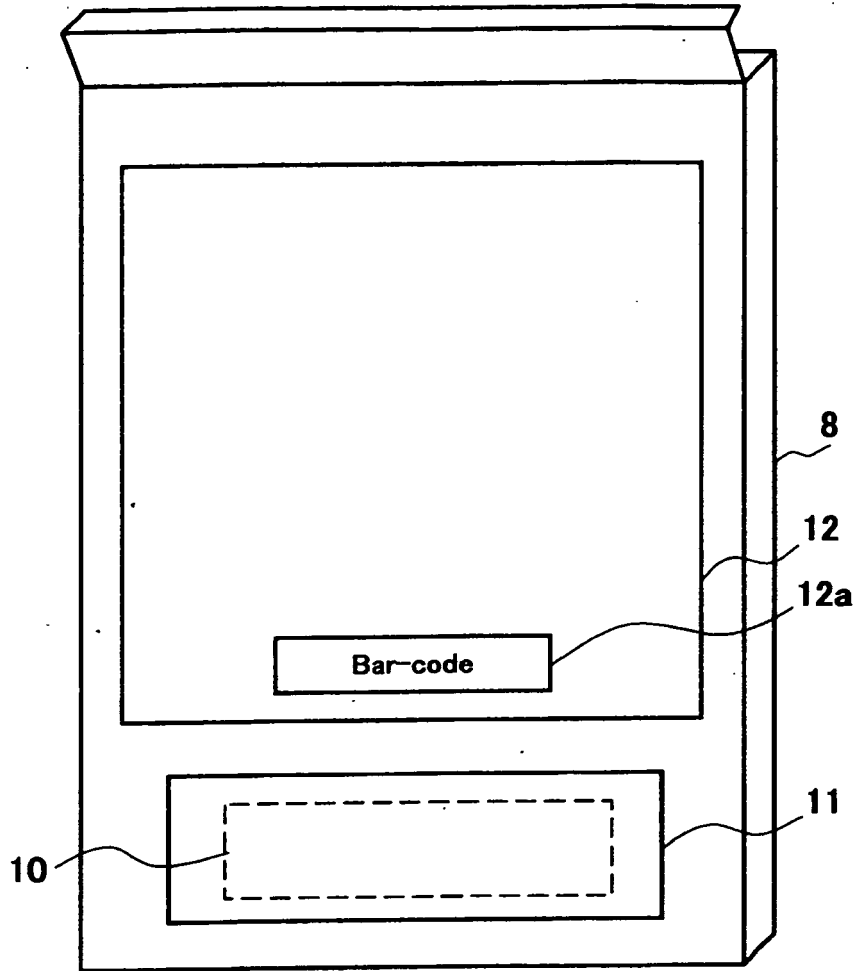


FIG.1



**FIG. 2**

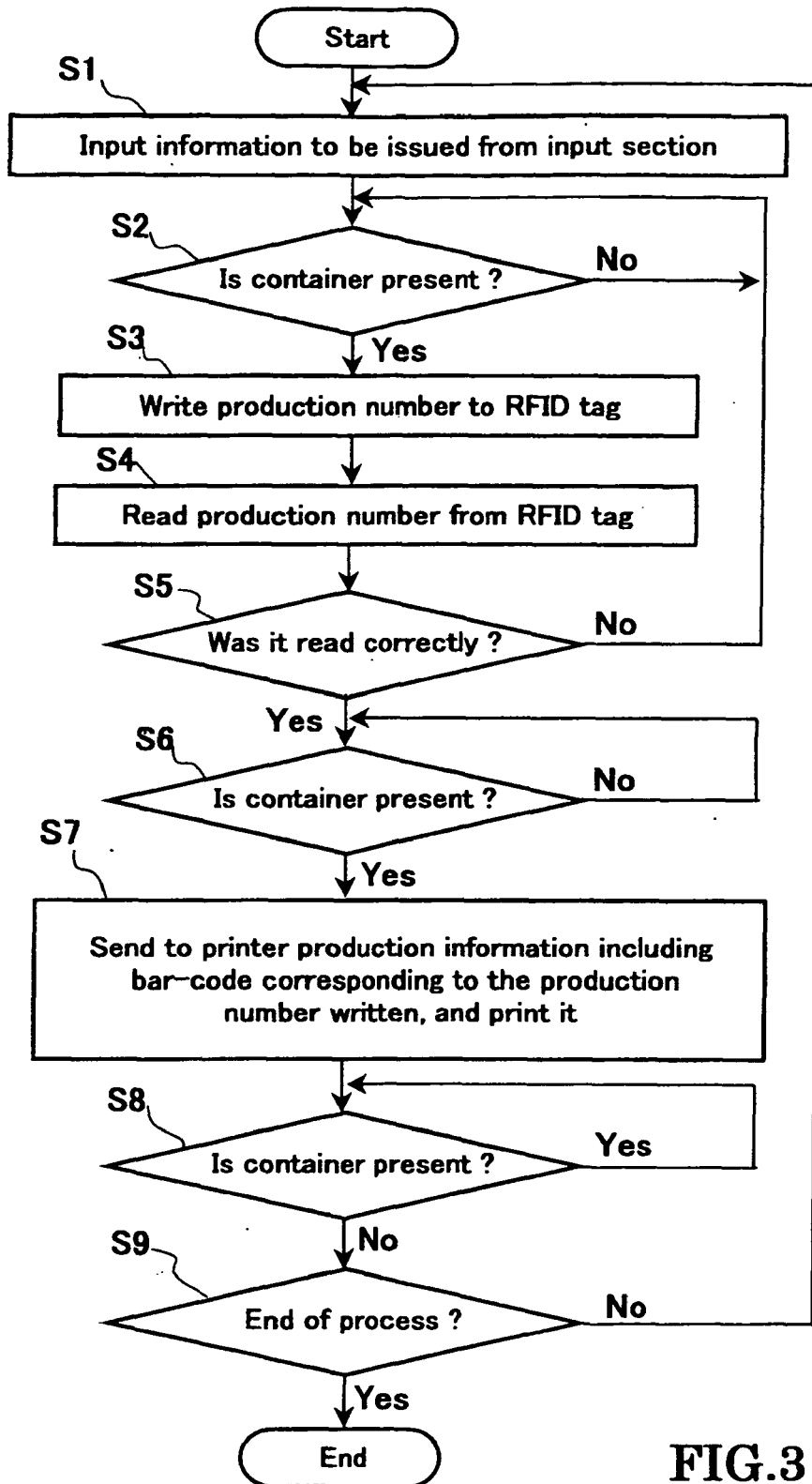


FIG.3

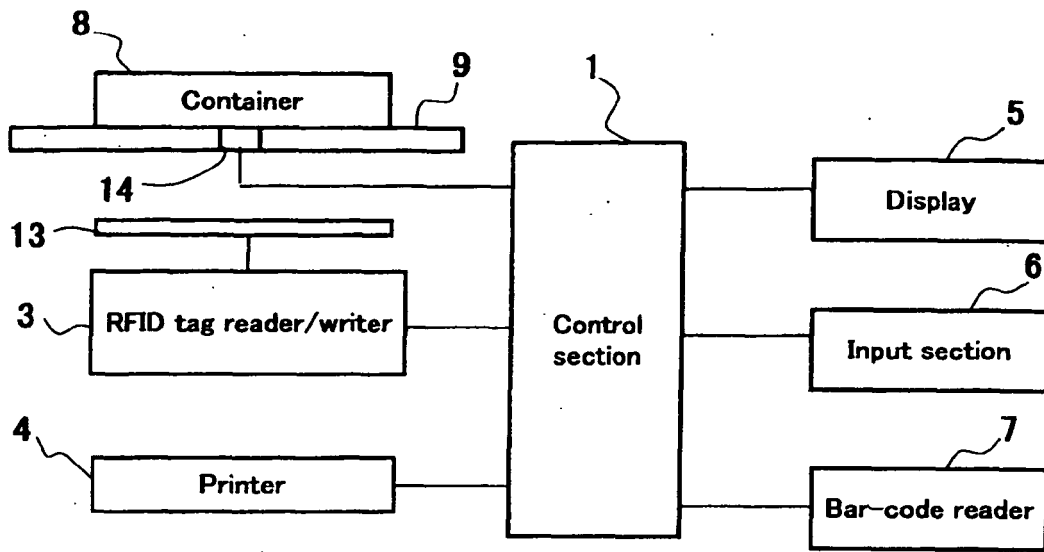


FIG.4

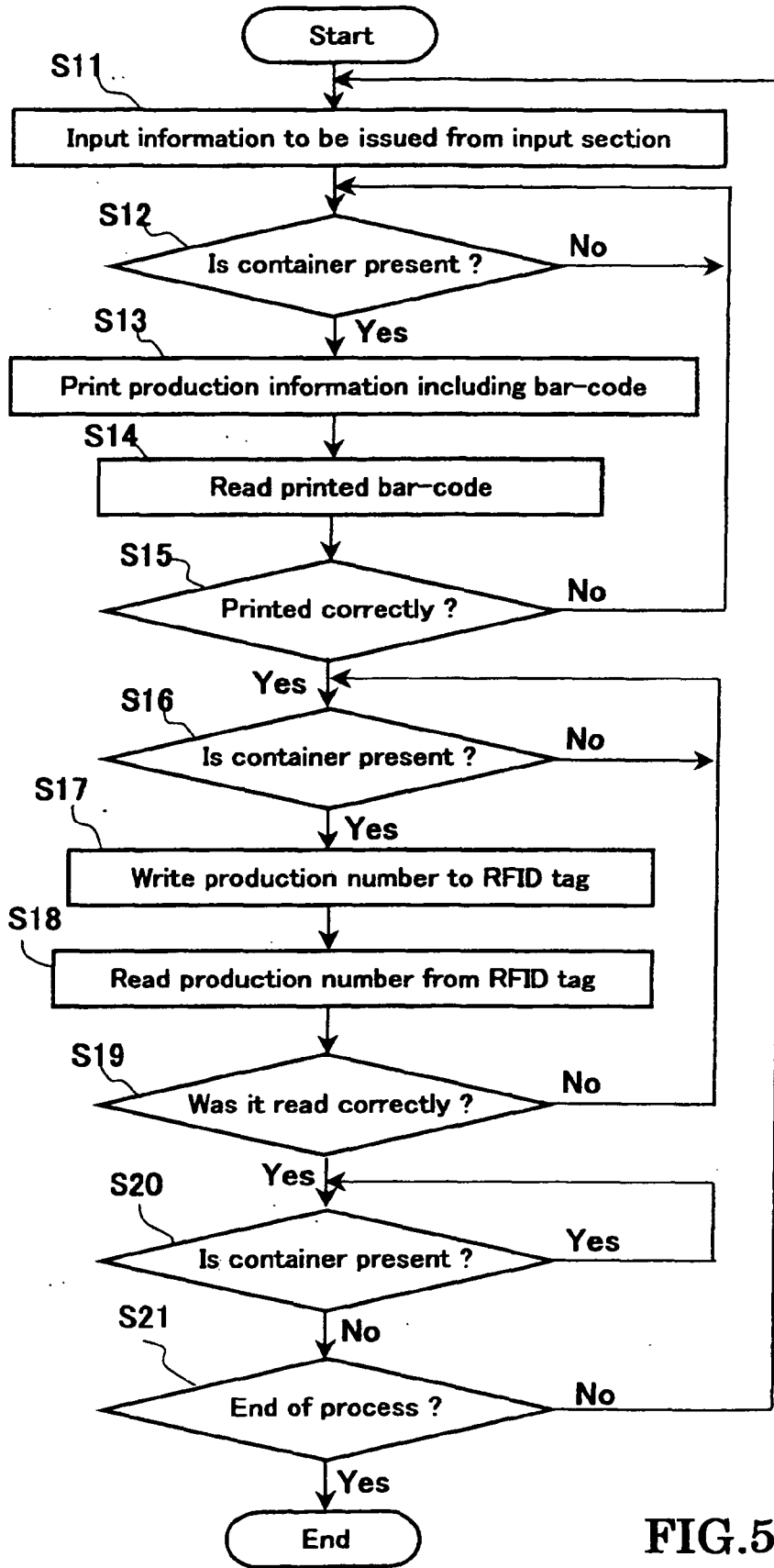


FIG.5

**REFERENCES CITED IN THE DESCRIPTION**

*This list of references cited by the applicant is for the reader's convenience only. It does not form part of the European patent document. Even though great care has been taken in compiling the references, errors or omissions cannot be excluded and the EPO disclaims all liability in this regard.*

**Patent documents cited in the description**

- JP 2001229344 A [0002] [0004]
- US 6593853 B [0005]
- US 2003214388 A [0005]
- US 6557758 B [0005]