



(11) **EP 2 022 435 A8**

(12) **CORRECTED EUROPEAN PATENT APPLICATION**

(15) Correction information:
Corrected version no 1 (W1 A1)
Corrections, see
Abstract

(51) Int Cl.:
A61B 19/02 (2006.01) **A61G 13/00 (2006.01)**
A61G 12/00 (2006.01)

(48) Corrigendum issued on:
06.05.2009 Bulletin 2009/19

(43) Date of publication:
11.02.2009 Bulletin 2009/07

(21) Application number: **08010994.5**

(22) Date of filing: **17.06.2008**

(84) Designated Contracting States:
AT BE BG CH CY CZ DE DK EE ES FI FR GB GR HR HU IE IS IT LI LT LU LV MC MT NL NO PL PT RO SE SI SK TR
Designated Extension States:
AL BA MK RS

(72) Inventors:
• **Nies, John H., III**
Mount Pleasant, SC 29466 (US)
• **Hand, Barry**
Mount Pleasant, SC 29464 (US)
• **Conly, Chris**
Hanahan, SC 29410 (US)

(30) Priority: **26.07.2007 US 828762**

(71) Applicant: **Berchtold Holding GmbH**
78532 Tuttlingen (DE)

(74) Representative: **Manitz, Finsterwald & Partner GbR**
Postfach 31 02 20
80102 München (DE)

(54) **Medical servicing system**

(57) A servicing system (20) includes a suspension system (22) connected to a support structure and a service module (24) coupled to the suspension system. The service module includes a rack (46) having a plurality of frame members (62) coupled to one another to define module support openings. The module support openings include respective standard widths and respective standard heights. At least one equipment module (60) is secured to the rack within a corresponding one of the module support openings.

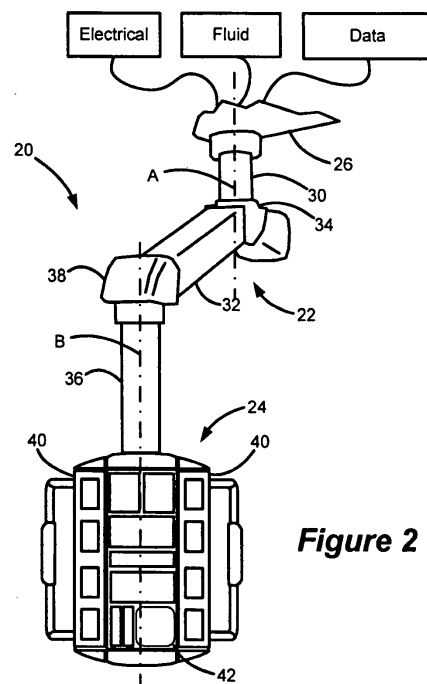


Figure 2

EP 2 022 435 A8