



(11) **EP 2 068 050 A8**

(12) **CORRECTED EUROPEAN PATENT APPLICATION**
published in accordance with Art. 153(4) EPC

(15) Correction information:
Corrected version no 1 (W1 A1)
Corrections, see
Bibliography INID code(s) 84

(51) Int Cl.:
F16H 63/18 (2006.01) **B62M 25/08** (2006.01)
F16H 61/28 (2006.01)

(48) Corrigendum issued on:
02.12.2009 Bulletin 2009/49

(86) International application number:
PCT/JP2007/066373

(43) Date of publication:
10.06.2009 Bulletin 2009/24

(87) International publication number:
WO 2008/041429 (10.04.2008 Gazette 2008/15)

(21) Application number: **07806002.7**

(22) Date of filing: **23.08.2007**

(84) Designated Contracting States:
DE FR GB IT

• **KANNO, Yoshihisa**
Wako-shi, Saitama 3510193 (JP)

(30) Priority: **29.09.2006 JP 2006270092**

(74) Representative: **Trossin, Hans-Jürgen**
Weickmann & Weickmann
Postfach 860 820
81635 München (DE)

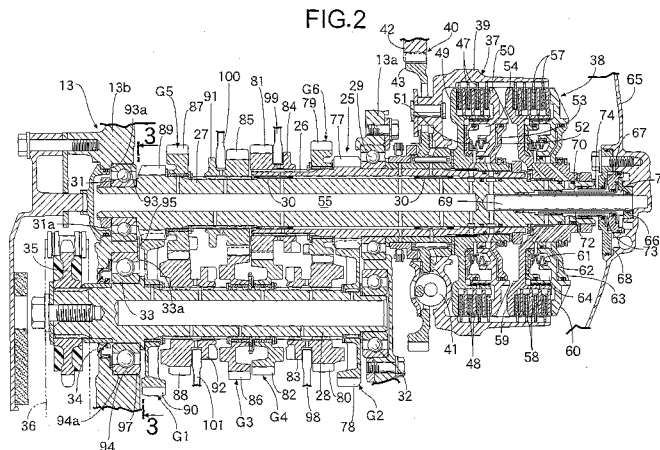
(71) Applicant: **HONDA MOTOR CO., LTD.**
Tokyo 107-8556 (JP)

(72) Inventors:
• **SHIOZAKI, Tomoo**
Wako-shi, Saitama 3510193 (JP)

(54) **SHIFT CONTROL DEVICE FOR VEHICLE TRANSMISSION**

(57) A shift control device for a vehicle transmission is provided in which drive means for making a shift drum pivot is connected to the shift drum, wherein the drive means (112) includes a power source (113) disposed on at one end, in the axial direction, of the shift drum (104), and a transmission shaft (117) to which power from the power source (113) is transmitted at the one end, in the

axial direction, of the shift drum (104), power from the transmission shaft (117) being transmitted to the other end, in the axial direction, of the shift drum (104). This enables an internal combustion engine to be made compact while avoiding a concentrated disposition of the drive means on one side, in the axial direction, of the shift drum.



EP 2 068 050 A8