



(11) **EP 2 107 161 A8**

(12) **CORRECTED EUROPEAN PATENT APPLICATION**

(15) Correction information:  
**Corrected version no 1 (W1 A1)**  
**Corrections, see**  
**Bibliography INID code(s) 71, 72**

(51) Int Cl.:  
**E01C 9/08 (2006.01)**

(48) Corrigendum issued on:  
**24.02.2010 Bulletin 2010/08**

(43) Date of publication:  
**07.10.2009 Bulletin 2009/41**

(21) Application number: **08425209.7**

(22) Date of filing: **31.03.2008**

(84) Designated Contracting States:  
**AT BE BG CH CY CZ DE DK EE ES FI FR GB GR HR HU IE IS IT LI LT LU LV MC MT NL NO PL PT RO SE SI SK TR**  
Designated Extension States:  
**AL BA MK RS**

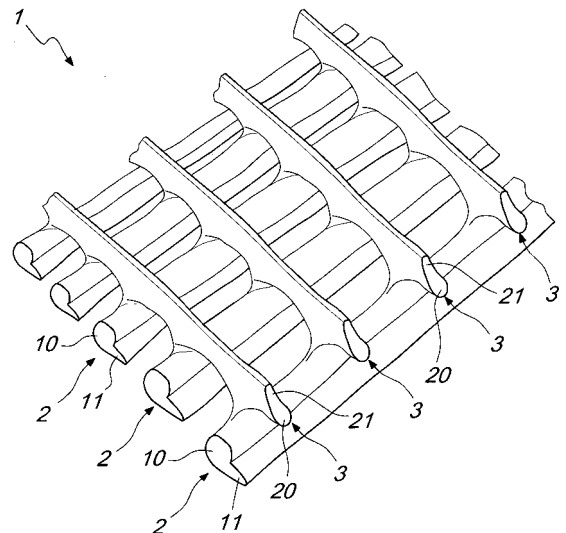
(72) Inventor: **Abbiati, Marco**  
**23891 Barzanò (Lecco) (IT)**

(74) Representative: **Alagem Modiano, Lara S. et al**  
**Dr. Modiano & Associati SpA**  
**Via Meravigli 16**  
**20123 Milano (IT)**

(71) Applicant: **Tenax S.p.A.**  
**23897 Viganò (Lecco) (IT)**

(54) **Device for preventing trampling and for protecting driveways, particularly on grassy areas, pieces of land and the like**

(57) A device for preventing trampling and for protecting driveways, particularly on grassy areas, pieces of land and the like, which comprises a grid-like panel element (1) with quadrangular meshes with a first order (2) and a second order (3) of crossed filaments. The peculiarity of the invention resides in that the filaments have, at the face with the first order of filaments, in transverse cross-section, a rounded body (10) for connection to the second order of filaments (3). A substantially flat portion (11) extends from the rounded body (10) with an arrangement which is folded substantially parallel to the plane of arrangement of the panel element (1).



*Fig. 1*

**EP 2 107 161 A8**