



(11) **EP 2 438 873 B9**

(12) **CORRECTED EUROPEAN PATENT SPECIFICATION**

(15) Correction information:
Corrected version no 1 (W1 B1)
Corrections, see
Claims EN 1

(51) Int Cl.:
A61B 18/00 ^(2006.01) **B06B 1/02** ^(2006.01)
B06B 1/06 ^(2006.01)

(48) Corrigendum issued on:
12.11.2014 Bulletin 2014/46

(86) International application number:
PCT/JP2010/058274

(45) Date of publication and mention
of the grant of the patent:
23.07.2014 Bulletin 2014/30

(87) International publication number:
WO 2010/140461 (09.12.2010 Gazette 2010/49)

(21) Application number: **10783245.3**

(22) Date of filing: **17.05.2010**

(54) **Ultrasound operation system for generation cavitation**

Ultraschallsystem zur Generation von Kavitation

Système à ultrasons pour générer de la cavitation

(84) Designated Contracting States:
AL AT BE BG CH CY CZ DE DK EE ES FI FR GB
GR HR HU IE IS IT LI LT LU LV MC MK MT NL NO
PL PT RO SE SI SK SM TR

• **SAWADA, Yukihiro**
Tokyo 151-0072 (JP)
• **HONMA, Satoshi**
Tokyo 151-0072 (JP)

(30) Priority: **03.06.2009 US 477707**

(74) Representative: **Gunzelmann, Rainer**
Wuesthoff & Wuesthoff
Patent- und Rechtsanwälte
Schweigerstraße 2
81541 München (DE)

(43) Date of publication of application:
11.04.2012 Bulletin 2012/15

(73) Proprietor: **OLYMPUS MEDICAL SYSTEMS CORP.**
Tokyo 151-0072 (JP)

(56) References cited:
EP-A1- 2 433 581 JP-A- 2000 189 439
JP-A- 2001 212 514 JP-A- 2001 346 805
JP-A- 2008 136 845 JP-T- 2008 506 527

(72) Inventors:
• **TANAKA, Kazue**
Tokyo 151-0072 (JP)

EP 2 438 873 B9

Note: Within nine months of the publication of the mention of the grant of the European patent in the European Patent Bulletin, any person may give notice to the European Patent Office of opposition to that patent, in accordance with the Implementing Regulations. Notice of opposition shall not be deemed to have been filed until the opposition fee has been paid. (Art. 99(1) European Patent Convention).

Description

Brief Description of the Drawings

Technical Field

[0008]

[0001] The present invention relates to an ultrasound operation apparatus that performs an operation utilizing ultrasound vibrations and also utilizes cavitations that are generated accompanying ultrasound vibrations, as well as an ultrasound operation system including the ultrasound operation apparatus and a cavitation utilization method.

5 Fig. 1 is a configuration diagram that illustrates a configuration of an ultrasound operation system that includes a first example useful for understanding the present invention;

10 Fig. 2 is a configuration diagram of an ultrasound operation apparatus according to the first example; Fig. 3 is a block diagram that illustrates a configuration of an ultrasound driving apparatus in the ultrasound operation apparatus;

15 Fig. 4A is a view that illustrates a frequency distribution of a current signal that is detected from a drive signal at a time of cavitation generation and a time when a cavitation is not generated;

20 Fig. 4B to Fig. 4D are views that illustrate characteristic examples that show frequency bands that a filter circuit allows to pass therethrough;

25 Fig. 5 is a block diagram that illustrates a configuration example of a filter circuit;

30 Fig. 6 is a flowchart that illustrates an operation method that utilizes cavitations generated by an ultrasound operation apparatus;

35 Fig. 7 is a flowchart that illustrates a method of controlling the generation level of cavitations in Fig. 6;

40 Fig. 8 is a block diagram that illustrates a configuration of an ultrasound driving apparatus in an ultrasound operation apparatus according to a second example useful for understanding the present invention;

45 Fig. 9 is a flowchart that illustrates a control method according to the second example;

50 Fig. 10 is a configuration diagram of an ultrasound operation apparatus according to a third example useful for understanding the present invention;

55 Fig. 11 is a view that illustrates a setting section that selectively sets a plurality of control modes;

60 Fig. 12 is a flowchart that illustrates one example of a control method of an ultrasound operation apparatus according to the third example;

65 Fig. 13 is a configuration diagram of an ultrasound operation apparatus according to a first modification example;

70 Fig. 14 is a flowchart illustrating a control method according to the first modification example;

75 Fig. 15 is a configuration diagram of an ultrasound operation apparatus according to a second modification example;

80 Fig. 16 is a view that shows an outline of principal parts of an ultrasound operation apparatus according to a third modification example;

85 Fig. 17 is a flowchart that illustrates a control method according to the third modification example;

90 Fig. 18 is a block diagram that illustrates a configuration of an ultrasound operation system including an embodiment of the present invention;

Background Art

[0002] Ultrasound operation apparatuses that perform an operation on living tissue utilizing ultrasound vibrations produced by an ultrasound transducer have been widely used in recent years. When living tissue is caused to vibrate at an ultrasound frequency, in some cases cavitations are generated since the living tissue includes liquid. A cavitation indicates that when the pressure of a liquid becomes lower than a vapor pressure that is decided by the temperature of the liquid, the liquid evaporates and vapor bubbles are produced.

[0003] Accordingly, when compression waves are generated by ultrasound vibrations, cavitations are generated accompanying the generation of negative pressure.

[0004] Therefore, for example, Japanese Patent Application Laid-Open Publication No. 2002-537955 discloses an apparatus that irradiates ultrasound for medical treatment at a location inside the body, and monitors the level of cavitations at that time using a hydrophone.

[0005] Further, International Publication No. WO2005/094701 discloses an apparatus in which a sound pressure signal receiving probe is provided in a piezoelectric element for ultrasound irradiation, and which controls ultrasound irradiation conditions by means of sound pressure signals that are discharged from cavitation bubbles by the sound pressure signal reception probe.

[0006] The present invention has an objective to provide an ultrasound operation apparatus capable of highly accurately detecting presence and absence of generation of cavitations and a level of generated cavitations, an ultrasound operation system including the ultrasound operation apparatus, and a cavitation utilization method capable of highly accurately detecting presence and absence of generation of cavitations and a level of generated cavitations.

Disclosure of Invention

Means for Solving the Problem

[0007] An ultrasound operation system according to claim 1 is provided.

Fig. 19 is a flowchart that illustrates one example of a control method according to the embodiment; Fig. 20A is a view that illustrates a shape of a distal end section of a probe that is used in a fourth example useful for understanding the present invention; Fig. 20B is a view that illustrates a state in which a cavitation is produced by ultrasound vibrations of a concavo-convex section; Fig. 20C to Fig. 20E are views that illustrate modification examples of the distal end section; Fig. 21 is a block diagram that illustrates a configuration of an ultrasound operation apparatus according to the fourth example; and Fig. 22A and Fig. 22B are views that illustrate sequences that switch a control mode and drive in a case of performing treatment by ultrasound according to the fourth example.

Best Mode for Carrying Out the Invention

[0009] Hereunder, examples and an embodiment are described with reference to the drawings.

(First example)

[0010] Fig. 1 to Fig. 8 relate to a first example useful for understanding the present invention. Fig. 1 illustrates a configuration of an ultrasound operation system that includes the first example. Fig. 2 illustrates a configuration of an ultrasound operation apparatus according to the first example. Fig. 3 illustrates a configuration of an ultrasound driving apparatus. Fig. 4A illustrates a frequency distribution of a current signal that is detected from a drive signal at a time of cavitation generation and a time when a cavitation is not generated. In this case, although the frequency distribution of a current signal is shown, a similar distribution is obtained with a voltage signal also.

[0011] Fig. 4B to Fig. 4D illustrate examples of filter characteristics of a filter circuit. Fig. 5 illustrates a configuration example of a filter circuit. Fig. 6 illustrates an operation method that utilizes cavitations generated by an ultrasound operation apparatus. Fig. 7 illustrates a method of controlling so as to maintain the generation level of cavitations in Fig. 6.

[0012] As shown in Fig. 1, an ultrasound operation system 1 equipped with the first example has a first handpiece 2 as an ultrasound coagulation/dissection treatment instrument that performs a treatment such as coagulation and dissection as well as exfoliating dissection by ultrasound, a second handpiece 3 as an ultrasound/suction treatment instrument that performs a treatment such as dissection, exfoliation dissection, or crushing by ultrasound and also a suction operation, and a third handpiece 4 as an ultrasound puncture treatment instrument that performs a treatment such as puncturing by ultrasound.

[0013] Further, the ultrasound operation system 1 in-

cludes an ultrasound driving apparatus 5 that has a drive section that applies (outputs) an ultrasound drive signal to any handpiece that is actually connected among the first to third handpieces, a high frequency output apparatus 6 that applies a high frequency output signal to a handpiece that is actually connected among the first handpiece 2 and the second handpiece 3, and a water supply/suction device 7 that performs water supply and suction operations in the case of the second handpiece 3.

[0014] Foot switches 8, 9, and 10 are connected to the ultrasound driving apparatus 5, the high frequency output apparatus 6, and the water supply/suction device 7, respectively, and switch the output of the respective apparatuses "on" and "off".

[0015] The ultrasound driving apparatus 5 and the high frequency output apparatus 6 are connected by a communication cable 11 that performs communication. The ultrasound driving apparatus 5 and the water supply/suction device 7 are connected by a communication cable 12. The high frequency output apparatus 6 and the water supply/suction device 7 are connected by a communication cable 13.

[0016] Each of the handpieces I (I = 2, 3, 4) among the first handpiece 2 to the third handpiece 4 includes an elongated probe 2a, 3a, and 4a, respectively, and also includes an ultrasound transducer (hereunder, referred to simply as "transducer") Ib capable of generating ultrasound vibrations inside a grasping section. A proximal end section of each probe Ia is disposed at the grasping section. Ultrasound vibrations generated by the transducer Ib are operationally coupled (that is, coupled so that ultrasound vibrations can be transmitted to the proximal end section) to, for example, a horn that is provided with an expanded diameter at the proximal end section of each of the probes Ia.

[0017] An ultrasound connector Ic that is electrically connected to the transducer Ib is provided at the proximal end of each handpiece I. The ultrasound connector Ic is connected to the ultrasound driving apparatus 5 via a detachable ultrasound cable 14.

[0018] When a surgeon switches the foot switch 8 "on", the ultrasound driving apparatus 5 outputs an ultrasound drive signal (hereafter, abbreviated to "drive signal") to the transducer Ib via the ultrasound cable 14. The transducer Ib generates ultrasound vibrations when the drive signal is applied thereto.

[0019] The transducer Ib transmits ultrasound vibrations to a distal end member Ie as a distal end section of the probe Ia through an ultrasound transmitting member Id inside the probe Ia, and the distal end member Ie vibrates at an ultrasound frequency.

[0020] The surgeon can perform treatment using ultrasound vibrations by, for example, grasping the grasping section on the proximal end side of a handpiece and contacting the distal end member Ie that vibrates at an ultrasound frequency against a living tissue that is a treatment target.

[0021] Further, a high frequency connector 2f provided

on the proximal end side of the handpiece 2 or a high frequency connector 3f of the handpiece 3 is connected to the high frequency output apparatus 6 via a detachable high frequency cable 15. When the surgeon switches the foot switch 9 "on", the high frequency output apparatus 6 outputs a high frequency output signal to a conductor section inside the handpiece via a high frequency cable 15. The conductor section is formed with the ultrasound transmitting member 1d. Similarly to the case of ultrasound vibrations, the high frequency output signal is transmitted to the distal end member 1e of the distal end section of the probe 1a.

[0022] When the surgeon brings the distal end member 1e into contact with the living tissue, an electric current (high frequency current) of the high frequency output signal flows to the living tissue side. By means of the high frequency current, the surgeon performs high-frequency cauterization treatment with respect to the living tissue portion that is contacted.

[0023] In this case, the patient is disposed so as to contact over a wide area with a counter-electrode plate (not shown), and the high frequency current that flows through the living tissue is returned via the counter-electrode plate to the high frequency output apparatus 6 through a return cable that is connected to the counter-electrode plate.

[0024] Further, in the handpiece 3, the ultrasound transmitting member 3d is formed with a conduit, and a hollow section of the conduit serves as a suction passage (water supply is performed between the conduit of the ultrasound transmitting member 3d and an outer sheath (not shown)). The distal end member 3e that serves as the distal end of the conduit is open.

[0025] A water supply/suction connector 3g is provided on the proximal end side of the handpiece 3. A water supply/suction tube 16 that is detachably connected to the handpiece 3 is connected to the water supply/suction device 7.

[0026] The water supply/suction tube 16, for example, branches into a water supply conduit and a suction conduit inside the water supply/suction device 7, and the water supply conduit connects to a water supply apparatus and the suction conduit connects to a suction apparatus.

[0027] When the surgeon performs an operation to switch "on" a water supply switch of the foot switch 10, a water supply pump that is included in the water supply apparatus is activated and feeds water. The fed water passes through a hollow section forming the ultrasound transmitting member 3d and is ejected from an opening of the distal end member 3e.

[0028] Further, when the surgeon performs an operation to switch "on" a suction switch of the foot switch 10, a suction pump that is included in the suction apparatus is activated and performs a suction action. Thereupon, tissue pieces and the like that are produced at the time of treatment (crushing with ultrasound vibrations) are sucked from the opening of the distal end member 3e

and discharged to the suction apparatus.

[0029] Although Fig. 1 shows a configuration example for a case of performing treatment by also using a function other than ultrasound vibrations, as shown in Fig. 2, an ultrasound operation apparatus 21 may also be configured that performs treatment utilizing only ultrasound vibrations.

[0030] The ultrasound operation apparatus 21 shown in Fig. 2 includes, for example, the handpiece 2 that performs coagulation/dissection treatment by ultrasound vibrations, an ultrasound driving apparatus 5 that outputs a drive signal to the handpiece 2, and a foot switch 8 that is connected to the ultrasound driving apparatus 5 and switches the output of a drive signal "on" and "off". The handpiece 2 is connected to a connector 22 of the ultrasound driving apparatus 5 via an ultrasound cable 14.

[0031] In this connection, instead of the handpiece 2, the handpiece 3 or the handpiece 4 may be connected to the ultrasound driving apparatus 5. Further, as described in an example mentioned below, a configuration may also be adopted in which treatment is performed in combination with use of the high frequency output apparatus 6.

[0032] As shown in Fig. 2, the handpiece 2 is provided with a handle 18 on the proximal end side thereof. The surgeon grasps the handle 18 and performs an opening/closing operation.

[0033] In the handle 18, the upper end side of a moveable handle 19a is rotatably supported at a pivot section.

[0034] By performing an opening/closing operation that closes the moveable handle 19a to a fixed handle 19b side or opens the moveable handle 19a to a side away from the fixed handle 19b, a moveable distal end member 2g that is rotatably supported adjacent to the distal end member 2e can be opened/closed with respect to the distal end member 2e through an unshown wire that is passed through the inside of the probe 2a.

[0035] Thus, the handpiece 2 can be opened and closed so as to grasp living tissue by means of the distal end member 2e as a fixed distal end member and the moveable distal end member 2g.

[0036] More specifically, by applying ultrasound vibrations to living tissue in a state in which the living tissue is grasped by the distal end members 2e and 2g, the handpiece 2 can generate frictional heat in the living tissue and perform coagulation or dissection treatment of the living tissue that is grasped. It is also possible to set the handpiece 2 in an open state in which the distal end side is opened, and perform treatment such as crushing by means of the protruding distal end member 2e.

[0037] On a front panel of the ultrasound driving apparatus 5 are provided a display section 23 that shows a display, and a setting section 24 that sets a setting value of a signal to be outputted as an ultrasound drive signal and the like.

[0038] Fig. 3 illustrates a configuration of the ultrasound driving apparatus 5 that is included in the ultrasound operation apparatus 21 according to the present

example. In this connection, Fig. 3 shows the fundamental component parts of the handpiece 2 (the situation is substantially the same for the handpieces 3 and 4) that is connected to the ultrasound driving apparatus 5. Hereunder, although a description is given for a case in which $l = 2$ as the handpiece 1, the following description can also be applied to cases in which $l = 3$ or $l = 4$, excluding a structure that is unique to the handpiece 2.

[0039] The ultrasound driving apparatus 5 has an oscillating circuit 31, a multiplier 32 into which an oscillation signal that is generated by the oscillating circuit 31 is inputted from one input end, an amplifier 33 that amplifies a signal multiplied by the multiplier 32 and that is a drive section for driving the ultrasound transducer 1b by the drive signal, and an output circuit 34 that isolates and outputs a drive signal that is amplified by the amplifier 33.

[0040] The output circuit 34 includes, for example, a transformer 34a. A drive signal that is amplified at the amplifier 33 is inputted to a primary winding of the transformer 34a. A drive signal that is isolated from the drive signal on the primary winding is outputted from a secondary winding that is electromagnetically coupled with the primary winding. In this connection, the primary winding side of the transformer 34a forms a secondary circuit, and the secondary winding side thereof forms a patient circuit.

[0041] A connector 22 of an output terminal from which a drive signal is outputted on the patient circuit side is connected via detachably connected ultrasound cables 14 with a transducer 2b that is contained inside the handpiece 2 that vibrates at an ultrasound frequency.

[0042] Further, the primary winding of the transformer 34a is connected with a current/voltage detecting circuit 35 that detects a current of a drive signal flowing to the primary winding and a voltage at both ends thereof, and also detects a phase of the current and a phase of the voltage.

[0043] A current phase signal θ_i and a voltage phase signal θ_v detected by the current/voltage detecting circuit 35 are outputted to a PLL (phase-locked loop) circuit 36.

[0044] The PLL circuit 36 applies a control signal to the oscillating circuit 31. In the control signal, the signal level that is outputted changes in accordance with a phase difference between the current phase signal θ_i and the voltage phase signal θ_v that are inputted to the PLL circuit 36. At the oscillating circuit 31, an oscillation frequency changes with a signal level that is applied to a control inputted end. That is, the oscillating circuit 31 is formed, for example, by a voltage-controlled oscillator (VCO).

[0045] The PLL circuit 36 applies a control signal that controls so as to reduce the phase difference between the current phase signal θ_i and the voltage phase signal θ_v , more specifically, an oscillation frequency adjusting signal that is described below, to the control input end of the oscillating circuit 31. Accordingly, at the oscillating circuit 31, by means of a closed loop using the PLL circuit 36, the oscillation frequency is automatically adjusted so

that a phase difference between the current phase signal θ_i and the voltage phase signal θ_v becomes 0.

[0046] A state in which the phase difference between the current phase signal θ_i and the voltage phase signal θ_v becomes 0 is a drive frequency that corresponds to a resonance frequency of the transducer 2b. Therefore, the PLL circuit 36 automatically adjusts (controls) the oscillation frequency so as to drive the transducer 2b with a drive signal at the resonance frequency of the transducer 2b.

[0047] In other words, when driving the transducer 2b with a drive signal, the closed-loop circuit system between the oscillating circuit 31 and the PLL circuit 36 forms a resonance frequency tracking section 37 that automatically adjusts the frequency of the drive signal so as to track the resonance frequency of the transducer 2b. The resonance frequency tracking section 37 outputs a drive signal at the resonance frequency.

[0048] The present example is also provided with a detection section 38 that, as described below, has a function of a filter section 39 that detects a cavitation that is generated with the distal end member 2e of the probe 2a (to which ultrasound vibrations of the transducer 2b are transmitted) based on a drive signal of the primary winding side of the aforementioned output circuit 34 from a drive signal as a physical quantity that changes as a result of the cavitation.

[0049] For example, a voltage signal S_v as a physical quantity that changes as a result of a cavitation in a drive signal is inputted into a filter circuit 39 that has frequency transmission characteristics (filter characteristics) for extracting a predetermined frequency component. In this connection, as mentioned later, the current in the drive signal is controlled so as to become a constant current with a predetermined time constant. Therefore, detecting a voltage value (that passed through the filter circuit 39) in the voltage signal S_v is approximately equivalent to detecting an impedance value.

[0050] In this connection, in addition to detecting a voltage value or an impedance value as the aforementioned physical quantity, the detection section 38 may also be configured to detect a current value of a current signal. In this case, for example, a configuration may be adopted so as to perform detection in a state in which the voltage signal S_v is controlled so as to become a constant voltage with a predetermined time constant.

[0051] The filter circuit 39 has characteristics such that a predetermined frequency component other than at least a resonance frequency (i.e. drive frequency) of the transducer 2b that is driven by the drive signal passes therethrough.

[0052] A voltage signal as a frequency component signal of a predetermined frequency component that is outputted from the filter circuit 39 becomes a detection signal that corresponds to the generation level of cavitations that are generated with the transducer 2b, i.e. a cavitation level signal S_c .

[0053] The cavitation level signal S_c that is outputted

from the filter circuit 39 is inputted to a central processing unit (CPU) 40 as a control section that performs control of each section of the ultrasound driving apparatus 5.

[0054] The aforementioned detection section 38 is constituted using the filter circuit 39 that generates the cavitation level signal S_c . In this connection, the detection section 38 can also be regarded as having a configuration that includes the CPU 40 that determines the existence/non-existence of a cavitation based on the cavitation level signal S_c , and determines the level of cavitation generation.

[0055] Further, the CPU 40 also functions as an output control section that variably controls an output value of a drive signal that determines the amplitude of ultrasound vibrations at the distal end member 2e of the probe 2a based on the physical quantity that is detected by the detection section 38. In other words, the CPU 40 has a function of a control section that controls changes in the drive signal that drives the transducer 2b.

[0056] Further, according to the present example, the CPU 40 has a function of a cavitation generation control section (abbreviated to "CAV generation control section" in Fig. 3) 40a that, by using the cavitation level signal S_c , controls output of a drive signal so as to maintain a cavitation generation amount at a value that is set by the setting section 24.

[0057] The CPU 40 determines the cavitation generation level based on the level of the cavitation level signal S_c .

[0058] Fig. 4A is a view that shows the frequency spectrum distribution of the voltage signal S_v when a cavitation is not generated (time of non-generation of cavitations) and when a cavitation is generated (time of cavitation generation) by the transducer 2b that is driven by a drive signal of the ultrasound driving apparatus 5. In this connection, in Fig. 4A a resonance frequency f_{res} is 47 kHz.

[0059] Irrespective of the existence/non-existence of cavitation generation, the voltage signal S_v has a highest peak at the resonance frequency f_{res} (47 kHz). When a cavitation is not generated, the voltage signal S_v does not have a prominent peak at a frequency other than the resonance frequency f_{res} .

[0060] In contrast, when a cavitation is generated, at frequencies other than the resonance frequency f_{res} , the level of the voltage signal S_v is higher than a time when a cavitation is not generated.

[0061] More specifically, at a time when a cavitation is generated, the level of subharmonics as frequencies of divisors such as 1/2 or 1/4 of the resonance frequency f_{res} or of differences of these divisors becomes considerably higher than at a time when a cavitation is not generated, and the level of a frequency component other than a subharmonic also becomes higher than when a cavitation is not generated.

[0062] Therefore, a cavitation generation level can be detected by detecting signal levels for the voltage signal S_v as described above, excluding levels in the vicinity of

the resonance frequency f_{res} thereof.

[0063] The cavitation level signal S_c as an output signal of the filter circuit 39 is inputted into the CPU 40 that constitutes the output control section that controls driving of the transducer 2b (in other words, ultrasound vibrations of the distal end member 2e) and the cavitation generation control section 40a.

[0064] The CPU 40 outputs to the differential amplifier 41 side an output current setting signal that corresponds to a value obtained by subtracting the cavitation level signal S_c from the cavitation level setting value (also referred to as "cavitation setting value") S_{cs} that is set at the setting section 24 by the surgeon. Thus, the setting section 24 is provided with setting means with which the surgeon designates and sets (or inputs and sets) the generation level of cavitations.

[0065] Under control of the CPU 40, by means of the following closed loop, output of the drive signal is controlled so to maintain the value of the cavitation setting value S_{cs} that is set by the setting section 24.

[0066] A current signal S_i in the drive signal is also inputted into the differential amplifier 41. In this connection, although the current signal S_i is actually detected by, for example, a current sensor or the like that detects the current of a drive signal that is provided inside the current/voltage detecting circuit 35, in Fig. 3 the current signal S_i that is detected is illustrated in a simplified form.

[0067] The differential amplifier 41 outputs to the multiplier 32 a signal of a differential value that is obtained by subtracting the current signal S_i from the output current setting signal.

[0068] The multiplier 32 multiplies a value of another input end side into which is inputted a signal from the differential amplifier 41 by the oscillation signal from the oscillating circuit 31, and outputs the result to the amplifier 33. In this case, the value of the other input end side is a value obtained by adding the output signal of the differential amplifier 41 (subtracting when the output signal of the differential amplifier 41 is negative) to a standard value 1.

[0069] Accordingly, the current signal S_i in the drive signal is controlled by a closed loop system so that a value of an output current setting signal that is outputted from the CPU 40 is maintained as an averaged constant current value. In this manner, the output value of a drive signal supplied to the transducer 2b is controlled.

[0070] In this connection, a time constant of a control system based on the current signal S_i of the drive signal is, for example, around 8 ms, and the current signal S_i changes within the range of this time constant.

[0071] An operation signal that switches output of a drive signal from the foot switch 8 "on" or "off" is inputted to the CPU 40, and control is performed to switch output of the drive signal "on" or "off" in accordance with the operation signal.

[0072] Further, the CPU 40 is connected with the display section 23 provided on the front panel or the like, and an ultrasound output value or the like is displayed

on the display section 23. Fig. 4B and Fig. 4C illustrate an example of the filter characteristics of the filter circuit 39, and Fig. 5 shows a configuration example thereof.

[0073] Fig. 4B illustrates a case in which characteristics are set that allow a frequency band of one portion of a low frequency side to pass through. More specifically, Fig. 4B illustrates a case in which characteristics are set that allow a frequency band including a subharmonic (divisor) of $1/2$ of the resonance frequency f_{res} to pass through.

[0074] Fig. 4C illustrates a case in which characteristics are set to a band that allows frequencies from around 5% of the resonance frequency f_{res} to a frequency that is 5% lower than the resonance frequency f_{res} (i.e. a frequency equal to 95% of the resonance frequency f_{res}) to pass through.

[0075] Fig. 4D illustrates a case in which, in addition to the band characteristics shown in Fig. 4C, band characteristics are set that allow frequencies from around 5% higher than the resonance frequency f_{res} to a frequency that is 5% lower than a frequency ($2 f_{res}$) of a second-order harmonic wave of the resonance frequency f_{res} to pass through.

[0076] The filter circuit 39 shown in Fig. 5 includes, for example, a plurality of bandpass filters (abbreviated as "BPF" in Fig. 5) 43a, 43b, ..., 43n; switches 44a, 44b, ..., 44n; wave detectors 45a, 45b, ..., 45n; and an integrator 46.

[0077] In this connection, a passing frequency band of the bandpass filters 43a, 43b, ..., 43n is denoted in abbreviated form as f_a , f_b , ..., and f_n . The relationship between the passing frequency bands in this case is, for example, $f_a < f_b < \dots < f_n$.

[0078] A selection can be made to switch the switches 44a, 44b, ..., 44n "on" or "off", for example, by making a setting from the setting section 24 via the CPU 40. In this case, a configuration may also be adopted that enables a direct selection from the setting section 24.

[0079] By selecting whether to switch the switches 44a, 44b, ..., 44n "on" or "off", an arbitrary passing frequency band can be set. After frequency components that have passed through the switches 44a, 44b, ..., 44n that have been switched "on" are detected by the wave detectors 45a, 45b, ..., 45n, the frequency components are integrated at the integrator 46.

[0080] The integrated signal obtained by integration at the integrator 46 is outputted to the CPU 40 as the cavitation level signal S_c . An accumulator may be used instead of the integrator 46.

[0081] A configuration may also be adopted in which, instead of integrating at the filter circuit 39, integration is performed on the CPU 40 side.

[0082] Operations in the ultrasound driving apparatus 5 configured in this manner will now be described referring to Fig. 6. Fig. 6 is a view that shows a method of controlling an ultrasound operation that includes cavitation generation control according to the ultrasound driving apparatus 5.

[0083] For example, as shown in Fig. 2, the surgeon connects a handpiece (in Fig. 2, the handpiece 2 that is mainly for performing coagulation/dissection) to be used in the treatment to the ultrasound driving apparatus 5 via an ultrasound cable.

[0084] Further, as shown in step S1, the surgeon performs initial settings such as setting the cavitation setting value S_{cs} using the setting section 24 in accordance with the living tissue to be treated (i.e. the site to be treated).

[0085] Subsequently, using an unshown trocar, the surgeon inserts an endoscope and the probe 2a of the handpiece 2 into the abdomen or the like of the patient. The surgeon then sets the distal end side of the probe 2a in the vicinity of the treatment target site inside the body under observation using the endoscope, as shown in step S2.

[0086] Next, in step S3, the surgeon switches the foot switch 8 "on" to start treatment by ultrasound. A drive signal is applied to the transducer 2b of the handpiece 2 from the ultrasound driving apparatus 5, and the transducer 2b vibrates at an ultrasound frequency.

[0087] The ultrasound vibrations are transmitted to the distal end member 2e on the distal end side of the probe 2a, and as shown in ultrasound applying step S4, the distal end member 2e makes ultrasound vibrations at the resonance frequency f_{res} of the transducer 2b.

[0088] In this case, the ultrasound driving apparatus 5 controls so as to track a state in which the transducer 2b is driven with the resonance frequency f_{res} thereof by means of the resonance frequency tracking section 37 using the PLL circuit 36. Accordingly, the transducer 2b makes ultrasound vibrations at the resonance frequency f_{res} , and further, the distal end member 2e of the distal end section also makes ultrasound vibrations at the resonance frequency f_{res} .

[0089] Further, in this case, when a cavitation is generated by ultrasound vibrations of the distal end member 2e, the distal end member 2e receives a force produced by breaking of small bubbles caused by generation of the cavitation, and that force affects the ultrasound vibrations of the transducer 2b from the distal end member 2e. Subsequently, as shown in Fig. 4A, a frequency component produced by the cavitation is superimposed on the original drive signal. As described above, the frequency spectrum of the original drive signal enters a state of having a distorted frequency spectrum due to generation of the cavitation.

[0090] Subsequently, as shown in step S5, the CPU 40 detects the cavitation generation level from the cavitation level signal S_c that is detected by the filter circuit 39 from the drive signal.

[0091] Next, in step S6, the CPU 40 controls the output of the drive signal via the differential amplifier 41 so that the detected cavitation generation level maintains a cavitation level setting value S_{cs} that is previously set by the setting section 24. More specifically, the CPU 40 performs output control of the drive signal so as to maintain the set cavitation setting value S_{cs} .

[0092] Under this control, as shown in step S7, the surgeon performs treatment such as coagulation and dissection by means of ultrasound vibrations.

[0093] Fig. 7 is a view that illustrates operations to detect the cavitation level and to control the generation level of cavitations, i.e. the cavitation level, in accordance with the detection result according to steps S5 and S6 shown in Fig. 6. In step S11, the filter circuit 39 detects a predetermined frequency component excluding the frequency of a drive signal as the cavitation level signal Sc.

[0094] Next, in step S12, the CPU 40 compares the cavitation level signal Sc that is outputted from the filter circuit 39 with the cavitation setting value Scs.

[0095] Subsequently, as shown in step S13, the CPU 40 determines the size relationship between the cavitation level signal Sc and the cavitation setting value Scs. When the comparison result is $Sc > Scs$, as shown in step S14, the CPU 40 performs control so as to reduce the output current setting signal, and thereafter returns to the processing of step S11.

[0096] When the comparison result is the opposite, i.e. when $Sc < Scs$, as shown in step S15, the CPU 40 controls so as to increase the output current setting signal, and thereafter returns to the processing of step S11.

[0097] Further, when the comparison result is $Sc = Scs$, as shown in step S16, the CPU 40 controls so as not to change the output current setting signal (maintain the output current). In this control state, the surgeon performs the treatment by ultrasound in step S7 as shown in Fig. 6.

[0098] By performing this control, the CPU 40 controls so as to maintain the cavitation generation level at the cavitation setting value Scs set by the setting section 24.

[0099] According to the present example that performs treatment with respect to living tissue as a treatment target by this control, it is possible to detect the generation of cavitations using a simple configuration, and the generation level of cavitations can be controlled so as to maintain a set cavitation level setting value Scs.

[0100] In this case, generation of cavitations and the level of generation can be accurately detected from a voltage signal or the like of a frequency component excluding the drive frequency or the resonance frequency f_{res} based on the filter circuit 39 in a drive signal that drives the transducer 2b.

[0101] According to the present example, a treatment function for carrying out medical treatment can be enhanced by effectively utilizing the generation of cavitations.

[0102] In this connection, Japanese Patent Application Laid-Open Publication No. 2008-188160 as an example of the related art discloses an ultrasound operation apparatus that has a drive circuit that drives a handpiece at a frequency and amplitude that correspond to an alternating current. The ultrasound operation apparatus includes a cavitation suppression circuit that has conversion means that converts an output end voltage of the drive circuit into a direct current voltage, comparison means that compares the direct current voltage from the

conversion means with a predetermined threshold value, and voltage control means that, in a case in which the comparison result from the comparison means exceeds the threshold value, lowers the voltage value of the alternating current.

[0103] According to this example of the related art, it is described that practical application is made of the fact that when a load state of a piezo element included in a vibration generation section is changed by generation of a cavitation, although an alternating voltage value outputted by an output circuit (provided with a drive circuit) changes very little, the output voltage value fluctuates in proportion to the load state.

[0104] In contrast to the related art example, the present example is configured so as to detect a cavitation using at least one member of the group consisting of a voltage value, an impedance value, and a current value of a frequency component excluding the vicinity of a frequency used for driving in a drive signal.

[0105] Accordingly, the present example is capable of adequately decreasing the influence of a drive signal to detect the existence/non-existence of cavitation generation and the generation level with a high accuracy.

[0106] That is, according to the present example, by detecting frequency components excluding the vicinity of the frequency of a drive signal, it is possible to detect, for example, a cavitation generation level based on the level of a cavitation level signal Sc, without receiving virtually any influence by the output level of the drive signal.

[0107] In this case, the existence/non-existence of cavitation generation can be determined by determining whether or not the level of the cavitation level signal Sc is greater than a threshold value that is close to 0. Further, the cavitation generation level can also be detected even in a case in which, during an operation, the surgeon changes the setting value from the setting section 24 so as to change the output level of the drive signal.

[0108] In contrast, according to the related art example it is necessary to previously set a threshold value for detecting generation of a cavitation, and it is considered that it is necessary to change the threshold value in a case in which the output of the drive circuit is changed.

[0109] The related art example further discloses a configuration that is provided with a microphone that detects the continuous sound of a frequency that is generated at the time of a cavitation, in which cavitation suppression is performed with an audio signal that the microphone outputs.

[0110] However, in this case it is necessary to provide the microphone at a distal end side of an elongated probe 2a that can be inserted into the body.

[0111] In contrast, according to the present example, the existence/non-existence of cavitation generation and the generation level can be detected on the side of the ultrasound driving apparatus 5 that is disposed outside the body. Further, with respect to the configuration of the probe itself, an existing probe and handpiece can be employed.

[0112] Accordingly, the present example has a merit of being easy to apply even in the case of an existing handpiece that includes a transducer.

(Second example)

[0113] Fig. 8 illustrates a configuration of an ultrasound operation apparatus 21 B according to the second example the present invention. For the first example, a configuration was described that automatically controls a cavitation generation level so that the level reaches a value that is set at the setting section 24 that designates and sets a generation amount of cavitations.

[0114] In contrast, the present example has a configuration that includes a notification section that notifies a cavitation generation level to the surgeon as a user by quantitatively displaying the generation level. Further, the configuration allows the surgeon to manually set a setting value of the setting section 24 so as to set a desired generation level from the displayed generation level.

[0115] The ultrasound operation apparatus 21B has an ultrasound driving apparatus 5B that includes, in the configuration of the ultrasound driving apparatus 5 shown in Fig. 3, an A/D conversion circuit 51 that subjects an output signal of the filter circuit 39 to A/D conversion, and an indicator 52 as a notification section that quantitatively displays an cavitation generation level by means of an output signal of the A/D conversion circuit 51.

[0116] A cavitation level signal Sc that is outputted from the filter circuit 39 is subjected to A/D conversion by the A/D conversion circuit 51. The digital signal that has undergone A/D conversion corresponds to the cavitation generation level.

[0117] Subsequently, for example, a plurality of LEDs 53 that constitute an indicator 52 are caused to emit light by the digital signal. For example, the number of LEDs 53 that emit light changes approximately in proportion to the cavitation generation level. In Fig. 8, for example, two LEDs 53 are emitting light, as indicated by the diagonal lines. When the cavitation generation level increases further, more of the LEDs 53 emit light.

[0118] An output current setting value that is set by the surgeon is inputted to the CPU 40 from the setting section 24B. That is, the setting section 24B constitutes setting means that sets (inputs) an output current setting value of the drive section. The CPU 40 outputs an output current setting signal of a value that corresponds to the output current setting value to the differential amplifier 41 so as to maintain the output current setting value received from the setting section 24B.

[0119] In the present example, output of a drive signal to the transducer 2b (more generally, a transducer 1b) is controlled by the CPU 40 so as to maintain the output current setting value. The remaining configuration is the same as that of the first example.

[0120] According to the present example, the surgeon can check the cavitation generation level using the dis-

play of the number of LEDs 53 emitting light on the indicator 52. When the surgeon checks the cavitation generation level and wishes to increase the cavitation generation level, it is sufficient for the surgeon to increase the output current setting value of the setting section 24B.

[0121] Fig. 9 shows a flowchart of an example of usage of the present example. For example, similarly to the case shown in Fig. 2, the surgeon connects the handpiece 2 to the ultrasound driving apparatus 5B.

[0122] Further, the surgeon performs initial settings such as setting the output current setting value by means of the setting section 24B, as shown in step S21, in accordance with the living tissue to be treated.

[0123] Subsequently, as shown in step S22, for example, under observation with an endoscope, the surgeon sets the distal end side of the probe 2a in the vicinity of a treatment target site inside the body.

[0124] Next, in step S23, the surgeon switches "on" the foot switch 8 to start treatment by ultrasound. A drive signal is applied from the amplifier 33 included in the drive section of the ultrasound driving apparatus 5B to the transducer 2b of the handpiece 2, so that the transducer 2b generates ultrasound vibrations.

[0125] The ultrasound vibrations are transmitted to the distal end member 2e on the distal end side of the probe 2a and, as shown in step S24, the distal end member 2e makes ultrasound vibrations at the resonance frequency f_{res} of the transducer 2b.

[0126] Further, in this case, based on the output signal of the filter circuit 39, the indicator 52 displays the generation level of cavitations generated by the ultrasound vibrations of the distal end member 2e, to thus notify the surgeon by means of the display.

[0127] The surgeon refers to the cavitation generation level as shown in step S26, and effectively utilizes the cavitations to perform treatment by ultrasound. In this case, when the surgeon attempts to increase the generation level of cavitations to perform treatment, it is sufficient to perform a setting to increase the output current setting value by means of the setting section 24B.

[0128] Thus, the surgeon can check the cavitation generation level displayed on the indicator 52, and perform treatment utilizing cavitations.

[0129] According to the present example, the surgeon can perform treatment that effectively utilizes cavitations by increasing the cavitation generation level or the like by setting the setting section 24B.

[0130] In this connection, apart from notifying the surgeon using a display device, the notification section may be configured, for example, to notify the surgeon with a sound or the like.

[0131] A configuration may also be adopted in which the function of the notification section of the indicator 52 is provided in the display section 23. For example, in the examples and embodiment described after Fig. 8, although the indicator 52 is not shown, the function of the indicator 52 may be performed by the display section 23. In this case, as shown by the chain double-dashed line

in Fig. 8, a configuration may be adopted in which the cavitation level signal S_c of the filter circuit 39 is inputted to the CPU 40 and a signal corresponding to the cavitation generation level from the CPU 40 is outputted to the display section 23.

[0132] Further, the surgeon can select between a control mode that allows manual control and an automatic control mode that is controlled by the cavitation generation control section 40a, and use the selected control mode.

[0133] It is noted that the ultrasound operation apparatus may be configured to eliminate the cavitation generation control section 40a from the CPU 40 and be capable of operating only in a manual control mode.

(Third example)

[0134] Next, the third example the present invention is described with reference to Fig. 8. The present example has a control switching section 40b that can select two control modes or control patterns that include a normal constant current (constant amplitude) control mode and a cavitation control mode which have different control contents so as to perform treatment by ultrasound vibrations.

[0135] Further, in a modification example of the present example, it is also possible to perform control that sets a control mode in accordance with the type of handpiece as a treatment instrument that performs treatment by ultrasound vibrations and the usage situation.

[0136] An ultrasound operation apparatus 21C of the third example shown in Fig. 10 includes an ultrasound driving apparatus 5C that is in accordance with the ultrasound driving apparatus 5 of the ultrasound operation apparatus 21 shown in Fig. 3 and is further provided with a relay device 61 that switches between the filter circuit 39 and the CPU 40 constituting an output control section using a switching control signal.

[0137] The relay device 61 is switched on/off by a switching control signal from the control switching section 40b of the CPU 40 to thereby switch the control mode. More specifically, the CPU 40 further includes a control switching section 40b that switches the control mode.

[0138] Further, the ultrasound driving apparatus 5C according to the present example, for example, includes a setting section 24C as shown in Fig. 11.

[0139] The setting section 24C is provided with a constant current control switch 62a with which the surgeon selectively designates the constant current control mode via the setting section 24C and a cavitation control switch 62b with which the surgeon selectively designates the cavitation control mode.

[0140] The setting section 24C is provided with level switches 63a, 63b, and 63c that set an output level in the case of both control modes to a plurality of levels. For example, the level switches 63a, 63b, and 63c set an output level to LV1, LV2, and LV3, respectively.

[0141] Accordingly, the setting section 24C outputs to

the CPU 40 a control mode signal that designates the constant current control mode or the cavitation control mode, and a setting value that sets the output level.

[0142] In this connection, Fig. 11 illustrates a configuration in which level switches 63j ($j = a$ to c) are commonly used when a level is set in both control modes. However, a configuration may also be adopted in which a plurality of level switches that are dedicated to each control mode are provided, for example.

[0143] In the configuration shown in Fig. 10, the CPU 40 performs output control in accordance with the control mode setting made at the setting section 24C by the surgeon.

[0144] More specifically, when the constant current control mode is selected, the CPU 40 outputs a switching control signal that switches the relay device 61 to "off". Subsequently, the CPU 40 outputs an output current setting signal to the differential amplifier 41 so as to maintain the output level according to the level switches 63j ($j = a$ to c) at the setting section 24C.

[0145] In contrast, when the cavitation control mode is selected, the CPU 40 outputs a switching control signal to switch the switch of the relay device 61 to "on". Accordingly, a cavitation level signal S_c from the filter circuit 39 is inputted to the CPU 40 via the relay device 61 that has been switched "on".

[0146] The CPU 40 outputs the cavitation level signal S_c to the differential amplifier 41 as an output current setting signal so as to maintain the output level according to the level switches 63j ($j = a$ to c) at the setting section 24C that are set as the cavitation control mode by the surgeon.

[0147] The remaining configuration is the same as that of the first example. A representative example of the control method according to the present example will now be described using Fig. 12. Since the present control method is similar to the first example, the description will be made with reference to Fig. 6.

[0148] First, as shown in step S1', the surgeon performs initial settings including selection of the control mode. Thereafter, the processing of step S2 to step S4 is performed in the same manner as in Fig. 6. In step S31, the next step after step S4, the CPU 40 determines whether or not the control mode is the constant current control mode. When the control mode is the constant current control mode, as shown in step S32, the CPU 40 performs output control (constant current control) corresponding to the settings of the setting section 24C. Next, the CPU 40 proceeds to step S7.

[0149] In contrast, when the result determined in step S31 is that the control mode is not the constant current control mode, that is, when the control mode is the cavitation control mode, similarly to step S5 in Fig. 6, the CPU 40 detects the cavitation generation level from the output signal of the filter circuit 39. Further, at the next step S6, the CPU 40 performs output control of the drive signal including cavitation generation level control so as to maintain the level set by the setting section 24C based

on the detected cavitation level signal Sc.

[0150] Subsequently, in step S7, the next step after step S6, the surgeon performs treatment by ultrasound.

[0151] According to the present example, ultrasound treatment can be performed according to the normal constant current control, and ultrasound treatment can also be performed in a state in which automatic control is performed so as to maintain the cavitation generation level.

[0152] Further, the surgeon can perform treatment by ultrasound by changing the control mode in accordance with the handpiece I or the probe Ia that is actually used as well as the usage state.

[0153] In this connection, with respect to the constant current control mode, in addition to a control method that performs constant current control irrespective of the generation of cavitations, a configuration may be adopted that suppresses cavitation generation and performs constant current control. For example, as indicated by the chain double-dashed line in Fig. 11, a configuration may be adopted that is provided with a switch 64 that switches between a mode that performs constant current control irrespective of the generation of cavitations and a mode that suppresses cavitation generation and performs constant current control.

[0154] For example, when the switch 64 has been switched "off", the CPU 40 performs constant current control irrespective of the generation of cavitations. In contrast, when the switch 64 has been switched "on", the CPU 40 performs constant current control in which the generation of cavitations is suppressed.

[0155] Fig. 13 illustrates the configuration of an ultrasound operation apparatus 21 D as a first modification example. As described hereunder, the present modification example is provided with an identification section that identifies a handpiece I, and is configured to be capable of switching the control mode in accordance with the identification result.

[0156] The ultrasound operation apparatus 21D is according to the ultrasound operation apparatus 21C shown in Fig. 10, in which each handpiece I (in Fig. 13, I = 2), for example, includes a ROM 1h that forms an identifier that generates handpiece classification information (also referred to simply as "classification signal") that is contained, for example, in the proximal end section of the probe Ia.

[0157] Further, an ultrasound driving apparatus 5D includes an identification section 66 which also serves as a communication circuit that reads out a handpiece classification signal that is stored in the ROM 1h from the handpiece I that is connected via the ultrasound cable 14 to the ultrasound driving apparatus 5D. The identification section 66 sends the handpiece classification signal that is read out to the CPU 40.

[0158] The CPU 40 can identify the type of handpiece I, the type of transducer Ib mounted to the handpiece I, and the shape or state of the distal end section of the probe Ia of the handpiece I and the like based on the handpiece classification signal from the identification

section 66.

[0159] In accordance with the handpiece classification signal, the CPU 40, for example, refers to information stored in a flash memory 67 to automatically select and set one of the constant current control mode and the cavitation control mode. It is noted that an identification function section of the identification section 66 may be a part of the CPU 40.

[0160] Information that indicates which control mode to use in correspondence with a handpiece classification signal is previously stored in the flash memory 67. In this connection, the information stored in the flash memory 67 can be changed or updated, for example, from the setting section 24C via the CPU 40.

[0161] For example, in a case in which the handpiece 2 is connected to the ultrasound driving apparatus 5D, the CPU 40 selects the constant current control mode by referring to the corresponding information. In contrast, when the handpiece 3 is connected to the ultrasound driving apparatus 5D, the CPU 40 selects the cavitation control mode by referring to the corresponding information.

[0162] Further, in a case in which information that indicates that the control mode is to be set (selected) manually from the setting section 24C is stored in the flash memory 67, the CPU 40 preferentially sets the control mode that is selected manually by the surgeon from the setting section 24C.

[0163] In this connection, the present modification example is not limited to an example in which respective handpiece classification signals are stored in the ROM 1h. For example, a configuration may also be adopted in which the manufacturer's serial numbers or the like of the handpieces are stored, and the CPU 40 refers to information stored in the flash memory 67 based on the relevant serial number to identify the classification or the like of the handpiece corresponding to the serial number.

[0164] The present modification example is not limited to a case that uses the ROM 1h, and for example, a configuration may be adopted in which identification is performed using a resistance value, or in which the type of handpiece or the like can be identified based on an on/off array of, for example, DIP switches that include a plurality of switching elements.

[0165] Next, the operation of the present modification example is described referring to the flowchart shown in Fig. 14.

[0166] As shown in step S41, the surgeon connects the handpiece I to be actually used to the ultrasound driving apparatus 5D, and turns on the power of the ultrasound driving apparatus 5D.

[0167] Thereupon, as shown in step S42, the CPU 40 acquires a classification signal of the handpiece I from the ROM 1h of the handpiece I via the identification section 66. That is, the CPU 40 identifies the type of handpiece I.

[0168] Next, as shown in step S43, the CPU 40 refers to information stored in the flash memory 67 to determine

based on the classification signal if, for example, a manual setting is to be performed.

[0169] As shown in step S44, in a case in which a manual setting is not to be performed, that is, in a case in which the setting is to be performed automatically, the CPU 40 automatically sets the control mode according to the classification signal. In other words, the CPU 40 automatically selects or automatically switches a single control mode among a plurality of control modes in accordance with an identification result from the identification section.

[0170] In contrast, as shown in step S45, in the case of manual setting, the CPU 40 sets the control mode in accordance with a manual selection from the setting section 24C. Thus, the operation to set the control mode ends. Following this operation to set the control mode, for example, after the initial settings, the operations of step S2 and thereafter in Fig. 12 are performed.

[0171] According to the present modification example, once the surgeon pre-registers information regarding control modes that the surgeon desires to use in accordance with the classification of handpieces in the flash memory 67, thereafter a single control mode is automatically set from among a plurality of control modes in accordance with the pre-registered information. Thus, the ease of operation with respect to treatment performed by the surgeon can be enhanced.

[0172] The surgeon can also preferentially select the constant current control mode or the cavitation control mode manually from the setting section 24C and perform treatment.

[0173] Fig. 15 is a view that illustrates a configuration of an ultrasound operation apparatus 21 E according to a second modification example.

[0174] The ultrasound operation apparatus 21E includes an ultrasound driving apparatus 5E that is in accordance with the ultrasound driving apparatus 5D of the ultrasound operation apparatus 21D shown in Fig. 13, with the exception that the ultrasound driving apparatus 5E does not have the relay device 61. In this case the cavitation level signal Sc of the filter circuit 39 is inputted to the CPU 40.

[0175] The CPU 40 refers to the cavitation level signal Sc that is in accordance with a control mode set according to the handpiece classification signal or a control mode selected (set) from the setting section 24C.

[0176] The operations of the present modification example are approximately the same as the operations in the case illustrated in Fig. 13.

[0177] Fig. 16 is a view that illustrates an outline configuration of principal parts of an ultrasound operation apparatus 21 F according to a third modification example. The present modification example is configured to be capable of detecting a change in a usage state in a specific treatment instrument to automatically switch a control mode.

[0178] The ultrasound operation apparatus 21F includes an ultrasound driving apparatus 5F that is, for ex-

ample, in accordance with the ultrasound driving apparatus 5E of the ultrasound operation apparatus 21E shown in Fig. 15, with the exception that the ultrasound driving apparatus 5F does not include the identification section provided in the ultrasound driving apparatus 5E, and that a detection signal from a sensor 2j provided in a specific handpiece 2 is inputted to the CPU 40.

[0179] As shown in Fig. 16, for example, the sensor 2j that is switched "on" from an "off" state by a pressing force is mounted at a position facing a moveable handle 19a on a fixed handle 19b in the handpiece 2.

[0180] The sensor 2j detects an open/closed state of the handle 18 and, for example, outputs an "on" detection signal when the handle 18 is in a closed state and outputs an "off" detection signal when the handle 18 is in an open state.

[0181] The distal end members 2e and 2g on the distal end side of the probe 2a open and close in accordance with an open/closed state of the handle 18. Accordingly, the sensor 2j outputs a signal that has detected an open/closed state of the distal end section (distal end members 2e, 2g).

[0182] The CPU 40 switches the control mode in accordance with the detection signal of the sensor 2j that detects the open/closed state of the distal end section by means of opening/closing of the handle 18. In this connection, information relating to switching the control mode in accordance with a detection signal of the sensor 2j is, for example, stored in the flash memory 67.

[0183] Fig. 17 illustrates a flowchart of operations according to the present modification example. After the power supply of the ultrasound driving apparatus 5F has been turned on, when the foot switch 8 is switched "on", ultrasound is outputted as shown in step S51.

[0184] More specifically, the transducer 2b generates ultrasound vibrations upon application of a drive signal to the transducer 2b, the ultrasound vibrations are transmitted to the distal end member 2e, and the distal end member 2e makes ultrasound vibrations (abbreviated as "ultrasound is outputted").

[0185] As shown in step S52, the CPU 40 detects opening/closing of the handle 18 based on the detection signal of the sensor 2j and detects a cavitation generation state based on the output signal of the filter circuit 39.

[0186] In step S53, the CPU 40 determines whether or not the handle 18 is closed. The surgeon, for example, opens the handle 18 (the distal end section opens also) to perform exfoliating dissection treatment. In contrast, the surgeon closes the handle 18 to perform coagulation/dissection treatment.

[0187] If the handle 18 is open, the CPU 40 proceeds to step S54a, and if the handle 18 is closed, the CPU 40 proceeds to step S54b.

[0188] In steps S54a and 54b, the CPU 40 determines whether or not cavitations are generated (abbreviated to "is there a cavitation"). In step S54a, when the determined result is that there are no cavitations, the routine advances to step S55.

[0189] In step S55, the CPU 40 performs control to increase the ultrasound output by a predetermined amount, and then returns to the processing of step S54a. Accordingly, by the processing of steps S54a and S55, when the state is one in which cavitations are not generated, the ultrasound output increases to a level that generates a cavitation.

[0190] When it is determined in step S54a that there are cavitations, the routine proceeds to step S56 to maintain the ultrasound output state in which there are cavitations. The surgeon continues to perform treatment by ultrasound in the ultrasound output state.

[0191] When the result determined in step S54b is that there are cavitations, as shown in step S57, for example, after performing ultrasound output for a fixed time period the CPU 40 decreases or stops the ultrasound output.

[0192] In contrast, when the result determined in step S54b is that there are no cavitations, as shown in step S56, the ultrasound output is maintained. Further, when the handpiece 2 is used with, as shown in Fig. 2, the ultrasound driving apparatus 5 together with the high frequency output apparatus 6 and outputting ultrasound for a fixed time period in step S57, for example, monitoring of a high-frequency impedance of the living tissue may also be performed.

[0193] In a case in which living tissue that is treated by friction produced by ultrasound undergoes carbonized denaturation to a certain degree, the high-frequency impedance changes.

[0194] The state of change in the high-frequency impedance may be monitored and the ultrasound output may be reduced or stopped if the carbonized denaturation has proceeded to a certain degree and coagulation treatment has been performed.

[0195] In contrast, when the handle 18 is open, the CPU 40 performs control that increases the output of the drive signal so as to generate cavitations, and controls so as to maintain the ultrasound output in the state in which cavitations are generated. The surgeon then performs treatment such as dissection or exfoliating dissection by ultrasound utilizing cavitations.

[0196] Normally, when the surgeon places distal end members 2e and 2g in a closed state and performs coagulation/dissection treatment, in most cases it is desirable to suppress cavitations.

[0197] In some cases, however, the surgeon sets the distal end members 2e and 2g in an open state and performs dissection or exfoliating dissection using only the distal end member 2e that makes ultrasound vibrations, without grasping the living tissue that is the treatment target. In such case, the surgeon may desire to maintain a state in which cavitations are generated, and perform treatment by increasing a function such as exfoliating dissection by means of the cavitations.

[0198] Thus, according to the present modification example, it is possible to select a control mode that utilizes cavitations in accordance with an open/closed state of the distal end section that is produced by an open-

ing/closing operation of the handle by the surgeon.

[0199] According to the present modification example, since a configuration is adopted that changes a control mode of a drive signal in accordance with a usage state of the handpiece 2, it is possible to reduce the time and trouble required for the surgeon to perform an operation to change a control mode while performing treatment. That is, according to the present modification example, the ease of operation with respect to an ultrasound operation can be enhanced, and treatment utilizing cavitations can be performed.

(Embodiment)

[0200] Next, an embodiment of the present invention is described referring to Fig. 18. Fig. 18 illustrates a configuration of an ultrasound operation system 1B that includes the embodiment. The present embodiment monitors a suction amount that is actually sucked with respect to a preset suction amount when water supply and suction operations are made to operate in response to each other when performing treatment using ultrasound vibrations. According to the present embodiment, when the actual suction amount is greater than the suction amount that has been set, control is performed to maintain a cavitation output state in that state.

[0201] The ultrasound operation system 1B includes an ultrasound operation apparatus 21H of the embodiment as well as a water supply/suction device 7 that is used simultaneously with the ultrasound operation apparatus 21H.

[0202] The ultrasound operation apparatus 21H includes an ultrasound driving apparatus 5H and the handpiece 3 that is connected to the ultrasound driving apparatus 5H and the water supply/suction device 7.

[0203] The CPU 40 included in the ultrasound driving apparatus 5H is connected via a communication cable 12 to a CPU 86 that is included in a control section of the water supply/suction device 7. The two CPUs 40 and 86 can perform two-way communication.

[0204] The ultrasound driving apparatus 5H is in accordance with the ultrasound driving apparatus 5C shown in Fig. 10, and also includes, for example, a settings storage section 68 and the like as described below.

[0205] In Fig. 18, the components from the oscillating circuit 31 to the PLL circuit 36 are denoted by a resonance frequency tracking section 37 that is constituted by those components.

[0206] According to the ultrasound driving apparatus 5H of the present embodiment, the settings storage section 68 that stores information relating to setting values that are set at the setting section 24C and a setting section 91 of the water supply/suction device 7, for example, is constituted by a flash memory.

[0207] Further, the setting section 24C is provided with a storage button (or storage switch) 70 that performs an operation to instruct that setting value information be stored in the settings storage section 68.

[0208] The water supply/suction device 7 has a water supply section 87 that supplies water (the water in this case is, for example, physiological saline) and a suction section 88 that performs sucking, a water supply control section 89 and a suction control section 90 that control the operations of the water supply section 87 and the suction section 88, respectively, the CPU 86 as a control section that performs overall control of the water supply/suction device, a setting section 91 that sets a water supply amount and a suction amount and the like (i.e. performs a water supply amount setting and a suction amount setting), a display section 92 that displays a water supply amount and a suction amount and the like, and a foot switch 10 that performs operations to instruct that water supply or suction be performed.

[0209] In this connection, in Fig. 18, the CPU 86 may also be configured to fulfill the functions of the water supply control section 89 and the suction control section 90.

[0210] The water supply section 87 and the suction section 88 include a water supply pump 87a that constitutes a water supply drive section that supplies water to the inside thereof, and a suction pump 88a that constitutes a suction driving section that performs suction. The (water supply pump 87a of the) water supply section 87 and the (suction pump 88a of the) suction section 88 are connected to a water supply/suction connector 3g of the handpiece 3 via a water supply/suction tube 16 that includes a water supply tube and a suction tube that are respectively connected to a water supply connector and a suction connector.

[0211] When the surgeon operates the foot switch 10 to give an instruction to supply water, the CPU 86 drives the water supply pump 87a via the water supply control section 89. Thereupon, the water supply pump 87a pumps physiological saline to the vicinity of the living tissue that is the treatment target from the opening of the distal end member 3e via the water supply tube and the conduit inside the handpiece 3.

[0212] Further, when the surgeon operates the foot switch 10 to give an instruction to perform suction, the CPU 86 drives the suction pump 88a via the suction control section 90. Thereupon, the suction pump 88a sucks, via the suction tube, a liquid or fluid in which the liquid that has been supplied from the opening of the distal end member 3e and tissue pieces and the like that were crushed or ablated by the distal end member 3e are mixed.

[0213] The water supply amount generated by the water supply section 87 and the suction amount generated by the suction section 88 are detected by measuring the respective amounts using a flow rate sensor or the like inside the water supply section 87 and the suction section 88. The CPU 86 sets the level of a water supply drive signal and a suction drive signal that determine a water supply amount and a suction amount of the water supply pump 87a and the suction pump 88a in accordance with setting values from the setting section 91.

[0214] When treatment is performed utilizing cavita-

tions as described below, in a case in which the actual suction amount is detected as an amount that is greater than a suction amount set by the setting section 91, the CPU 86 controls to maintain the cavitation output state.

5 **[0215]** Next, operations including a utilization method that utilizes cavitations generated by the ultrasound operation system 1B are described referring to Fig. 19.

[0216] The surgeon connects the handpiece 3 to the ultrasound driving apparatus 5H and the water supply/suction device 7 as shown in Fig. 18, and turns on the power supply of the ultrasound driving apparatus 5H and the water supply/suction device 7. Next, the surgeon presets the ultrasound output and the suction amount and the like before starting an operation, as shown in step S91 of Fig. 19.

[0217] Subsequently, as shown in the next step S92, the surgeon resets the ultrasound output and the suction amount immediately after starting the operation. In step S92, the surgeon sets the ultrasound output and the suction amount to appropriate values that are suitable for the relevant case according to the state of the living tissue of the affected area on which treatment is to be performed as well as the preferences of the surgeon who is actually performing the operation and the like.

20 **[0218]** As shown in the next step S93, the surgeon then operates the storage button 70 to store information for the state that has been reset in step S92. By operating the storage button 70, information relating to the reset ultrasound output and suction amount is stored in the settings storage section 68 via the CPU 40.

[0219] Subsequently, as shown in step S94, the surgeon operates the foot switches 8 and 10 to activate the ultrasound driving apparatus 5H and the water supply/suction device 7.

25 **[0220]** Further, as shown in step S95, the CPU 40 detects the cavitation generation level based on the cavitation level signal Sc from the filter circuit 39. In this case, it is assumed that cavitations are being generated.

[0221] Next, as shown in step S96, the CPU 86 of the water supply/suction device 7 detects the actual suction amount. The CPU 86 sends the detected suction amount to the CPU 40 via the communication cable 12.

[0222] As shown in step S97, the CPU 40 compares the reset suction amount (referred to as "set suction amount") that has been stored in the settings storage section 68 and the actual suction amount, and as shown in step S98, determines whether or not the set suction amount > the actual suction amount. In accordance with the determined result, the CPU 40 that performs cavitation generation control performs control to maintain the cavitation generation state (output level state).

[0223] When the result determined by the CPU 40 in step S98 is affirmative, in some cases the surgeon may desire to reduce or stop the cavitation output level in that state. Accordingly, in this case, as shown in step S99, the CPU 40 controls to reduce or stop the cavitation output.

30 **[0224]** In contrast, when the result determined by the

CPU 40 in step S98 is negative, that is, when the set suction amount \leq the actual suction amount, in some cases the surgeon may desire to maintain the cavitation output level in that state. Accordingly, in this case, as shown in step S100, the CPU 40 controls so as to maintain the current cavitation output.

[0225] According to the present embodiment, when the set suction amount \leq the actual suction amount, control is performed to maintain the cavitation output.

(Fourth example)

[0226] Next, a fourth example useful for understanding the present invention is described referring to Fig. 20A and the like. Fig. 20A shows the shape of a distal end section of the handpiece 2 according to the fourth example. The distal end section of the handpiece 2 includes a moveable distal end member 2g and a fixed distal end member 2e that open/close in response to an opening/closing operation of the handle 18 (see Fig. 2).

[0227] According to the present example, the moveable distal end member 2g and the fixed distal end member 2e are provided with sawtooth-shaped concavo-convex sections 94a and 94b, respectively, on opposing surfaces. The surgeon performs coagulation/dissection treatment by grasping a living tissue 95 as a treatment target between the two concavo-convex sections 94a and 94b.

[0228] By performing an operation to close the handle 18 from the state shown in Fig. 20A, the living tissue 95 is grasped between the concavo-convex section 94a of the moveable distal end member 2g and the concavo-convex section 94b of the fixed distal end member 2e, and enters a state in which the living tissue 95 is in close contact with a surface of each of the concavo-convex sections 94a and 94b.

[0229] Fig. 20B shows a state in which the living tissue 95 is in close contact with the surface of the sawtooth-shaped concavo-convex section 94b of the fixed distal end member 2e that actually makes ultrasound vibrations. In this state, by causing the fixed distal end member 2e to make ultrasound vibrations, cavitations 96 are generated in the living tissue 95 in the vicinity of the surface of the concavo-convex section 94b (particularly, a surface forming a stepped surface with respect to the longitudinal direction).

[0230] In the present example, by employing a driving sequence as illustrated in Fig. 22A and the like as described later, coagulation/dissection treatment can be smoothly performed with respect to the living tissue 95 as the treatment target.

[0231] The shape of the distal end section in this case is not limited to the shape shown in Fig. 20A, and a structure may also be adopted that is provided with rectangular concavo-convex sections 94c and 94d as shown in Fig. 20C.

[0232] Further, as shown in Fig. 20D and Fig. 20E, a structure may be adopted in which concavo-convex sec-

tions 94b, 94d are provided only on the fixed distal end member 2e, and the moveable distal end member 2g is provided with surfaces 94e, 94e that are level or smooth with respect to the opposing surfaces of the concavo-convex sections 94b, 94d.

[0233] Fig. 21 illustrates an ultrasound operation apparatus 21J of the present example. The ultrasound operation apparatus 21J has an ultrasound driving apparatus 5J. The ultrasound driving apparatus 5J is, for example, in accordance with the ultrasound driving apparatus 5 shown in Fig. 3, and is further provided with a driving sequence setting button 97 with which the surgeon sets a driving sequence in the setting section 24.

[0234] By switching the driving sequence setting button 97 "on", the surgeon can set a time (cycle) in which to perform treatment in a coagulation mode by ultrasound and a time in which to perform treatment in a dissection mode, and can make a setting that switches between and actuates both modes.

[0235] In accordance with the setting of the driving sequence setting button 97, the CPU 40 switches output of the drive signal according to the cycle at which the coagulation mode and the dissection mode are set.

[0236] In this case, in the dissection mode the CPU 40 controls so as to maintain the set cavitations as described in the first example, that is, the CPU 40 causes the operation of the cavitation generation control section 40a to function. In contrast, in the coagulation mode, the CPU 40 controls so as to suppress cavitations and output a drive signal.

[0237] The remaining configuration is the same as that of the ultrasound driving apparatus 5 shown in Fig. 3.

[0238] Fig. 22A illustrates a driving sequence in ultrasound treatment according to the present example. When the treatment using ultrasound starts at, for example, a time t_0 , the CPU 40 sets the control mode to the coagulation mode and outputs a drive signal to the transducer 2b from the amplifier 33 constituting the drive section for a time (t_1-t_0) that has been set by the setting section 24.

[0239] The ultrasound vibrations generated by the transducer 2b are applied to the living tissue 95 from the distal end section of the probe 2a to perform coagulation treatment. In this case, the CPU 40 monitors the output signal of the filter circuit 39, and controls the ultrasound output so as to suppress generation of cavitations.

[0240] When the time (t_1-t_0) for treatment in the coagulation mode lapses, the CPU 40 switches to the dissection mode at the time t_1 , and outputs the drive signal to the transducer 2b from the amplifier 33 for a time (t_2-t_1) that has been set by the setting section 24.

[0241] The ultrasound vibrations generated by the transducer 2b are applied to the living tissue 95 from the distal end section of the probe 2a to perform dissection treatment. In this case, the CPU 40 monitors the output signal of the filter circuit 39, and controls the ultrasound output so as to maintain the state in which cavitations are generated. That is, the CPU 40 causes the operations

of the cavitation generation control section 40a to function (denoted by "ON" in Fig. 22A), to perform dissection treatment by increasing the dissection function utilizing cavitations.

[0242] When the time (t2-t1) for treatment in the dissection mode lapses, the CPU 40 switches to the coagulation mode at the time t2, and performs similar control for a time (t3-t2) that has been set by the setting section 24. The CPU 40 continues to repeat operations alternately in the coagulation mode and the dissection mode in this manner until times t4 and t5. Subsequently, upon performing treatment in the dissection mode from the time t5 to a time t6, the CPU 40 ends the coagulation/dissection treatment with respect to the living tissue that is the treatment target.

[0243] Although an example in which the coagulation mode and the dissection mode are switched and performed a plurality of times is described using Fig. 22A, as shown in Fig. 22B, a configuration may also be adopted in which the times for performing the coagulation mode and the dissection mode are lengthened to a time from t0 to ta and a time from ta to tb, respectively, so as to, for example, perform coagulation/dissection treatment with respect to the living tissue 95 that is the treatment target one time each in both modes. Furthermore, the present example is not limited to the examples shown in Fig. 22A and Fig. 22B, and a configuration may also be adopted so as to perform treatment using a driving sequence that represents an intermediate sequence with respect to the driving sequences shown in Fig. 22A and Fig. 22B.

[0244] As described above, this example is as follows.

1. An ultrasound operation apparatus, comprising:

- an ultrasound transducer that is capable of generating ultrasound vibrations;
- a drive section that drives the ultrasound transducer by means of a drive signal;
- a probe that has a proximal end section that is operationally coupled with the ultrasound transducer, and a distal end section that generates ultrasound vibrations for treating a tissue, the probe being used for transmitting the ultrasound vibrations generated by the ultrasound transducer from the proximal end section to the distal end section;
- a detection section that detects a physical quantity that changes due to a cavitation generated by ultrasound vibrations of the distal end section of the probe from the drive signal; and
- a control section that, in accordance with the physical quantity that is detected by the detection section, controls an output of the drive section so as to generate cavitations by means of ultrasound vibrations of the distal end section or to increase or maintain a generation amount.

2. The ultrasound operation apparatus according to item 1 above,

wherein the physical quantity is at least one of a voltage value, a current value, and an impedance value.

3. The ultrasound operation apparatus according to item 2 above,

wherein the detection section detects at least one of the voltage value, the current value, and the impedance value as the physical quantity in a frequency component other than a frequency of the drive signal.

4. The ultrasound operation apparatus according to item 1 above,

further comprising a setting section that designates and sets a generation amount of the cavitations.

5. The ultrasound operation apparatus according to item 4 above,

wherein the control section controls so that one of a voltage value, a current value, and an impedance value as the physical quantity in a frequency component other than a frequency of the drive signal that is detected by the detection section maintains a generation amount of cavitations that is designated and set by the setting section.

6. An ultrasound operation apparatus, comprising:

- an ultrasound transducer that is capable of generating ultrasound vibrations;
- a drive section that drives the ultrasound transducer by means of a drive signal;
- a probe that has a proximal end section that is operationally coupled with the ultrasound transducer, and a distal end section that generates ultrasound vibrations for treating a living tissue, the probe being used for transmitting the ultrasound vibrations generated by the ultrasound transducer from the proximal end section to the distal end section;
- a resonance frequency tracking section that automatically adjusts a frequency of the drive signal so that the ultrasound transducer tracks a resonance frequency of the ultrasound transducer;
- a detection section that detects a cavitation by detecting a frequency component signal of a frequency component other than a resonance frequency of the drive signal; and
- a control section that performs control that changes the drive signal that drives the ultrasound transducer so as to generate cavitations or to increase or maintain a generation amount in accordance with a detection result of the frequency component signal that is detected by the detection section.

18. The ultrasound operation apparatus according to item 6 above,

further comprising a setting section that designates and sets the cavitation generation level.

19. The ultrasound operation apparatus according to item 18 above,

wherein the control section controls so as to maintain the generation level by controlling output of the drive signal in accordance with a value obtained by subtracting a level of the frequency component signal from the generation level that is designated and set by the setting section.

22. The cavitation utilization method according to item 18 above, further comprising a setting step of setting a cavitation generation level, wherein the cavitation generation control step performs output control of the drive signal so as to maintain the generation level that is set in the setting step.

23. A cavitation utilization method, comprising:

a step of applying ultrasound vibrations to a treatment target portion by means of an ultrasound transducer that is capable of generating ultrasound vibrations; a drive section that drives the ultrasound transducer with a drive signal; and a probe that has a proximal end section that is operationally coupled with the ultrasound transducer, and a distal end section that generates ultrasound vibrations for treating a tissue, the probe being used for transmitting the ultrasound vibrations generated by the ultrasound transducer from the proximal end section to the distal end section;

a resonance frequency tracking step of automatically adjusting a frequency of the drive signal so as to track a resonance frequency of the ultrasound transducer;

a detection step of detecting a frequency component signal other than a resonance frequency of the drive signal; and

a cavitation generation control step of controlling the drive signal so as to generate a cavitation or to increase or maintain a generation amount in accordance with a detection result of the detection step.

[0245] The ultrasound operation apparatus of the present invention is thus capable of highly accurately detecting presence and absence of generation of cavitations and a level of generated cavitations. Further, the ultrasound operation system of the present invention is capable of highly accurately detecting presence and absence of generation of cavitations and a level of generated cavitations. Furthermore, the cavitation utilization method of the present invention is capable of highly accurately detecting presence and absence of generation of cavitations and a level of generated cavitations.

[0246] It should be understood that the present invention is not limited to the precise embodiment and various changes and modifications thereof could be made without departing from the scope of the present invention.

[0247] The present application is filed claiming the priority of U.S. Application No. 12/477,707 filed in U.S.A. on June 3, 2009.

Claims

1. An ultrasound operation system (1B), comprising:
an ultrasound operation apparatus (21H), comprising:

an ultrasound transducer (2b, 3b, 4b) configured to generate ultrasound vibrations; a drive section (33) configured to drive the ultrasound transducer (2b, 3b, 4b) by means of a drive signal;

a probe (2a, 3a, 4a) having a proximal end section that is operationally coupled with the ultrasound transducer (2b, 3b, 4b), and a distal end section (2e, 3e, 4e) configured to generate ultrasound vibrations for treating a living tissue, the probe (2a, 3a, 4a) being used for transmitting the ultrasound vibrations generated by the ultrasound transducer (2b, 3b, 4b) from the proximal end section to the distal end section (2e, 3e, 4e);

a resonance frequency tracking section (37) configured to automatically adjust a frequency of the drive signal so that the ultrasound transducer (2b, 3b, 4b) tracks a resonance frequency of the ultrasound transducer (2b, 3b, 4b);

a detection section (38) configured to detect a cavitation by detecting a frequency component signal of a frequency component other than the resonance frequency; and a control section (40) configured to perform control that changes the drive signal so as to generate cavitations or to increase or maintain a generation amount of cavitations in accordance with a detection result of the frequency component signal that is detected by the detection section (38), the ultrasound operation apparatus (21H) including a distal end section (2e, 3e, 4e) configured to generate ultrasound vibrations at the tracked resonance frequency;

a suction driving section (88a) configured to suck a liquid from the distal end section (2e, 3e, 4e);

a suction amount detection section (86) configured to detect a suction amount that is sucked by the suction driving section (88a);

a suction amount setting section (91) configured to set the suction amount; and

a suction control section (90) configured to con-

- control the suction driving section (88a) in accordance with the suction amount setting section (91).
2. The ultrasound operation system (1B) according to claim 1, wherein, when the suction amount detected by the suction amount detection section (86) is greater than the suction amount set by the suction amount setting section (91), the control section (40) is configured to perform control to maintain the generation amount of the cavitation.
 3. The ultrasound operationsystem (1B) according to claim 1 or 2, wherein the detection section (38) is configured to detect at least one of a voltage value, a current value, and an impedance value of a frequency component at a frequency other than the resonance frequency of the drive signal as the cavitation level signal.
 4. The ultrasound operation system (1B) according to claim 1 or 2, comprising a cavitation setting section (24C) configured to set a generation amount of the cavitation.
 5. The ultrasound operation system (1B) according to claim 4, wherein the control section (40) is configured to control the drive signal based on the cavitation level signal detected by the detection section (38) so as to maintain the generation amount of the cavitation that is set by the setting section (24C).
 6. The ultrasound operation system (1B) according to claim 1 or 2, wherein the cavitation level signal is a signal comprising an integral of frequency components at frequencies that are greater than the resonance frequency and smaller than a second-order harmonic wave of the resonance frequency.
 7. The ultrasound operation system (1B) according to claim 1 or 2, wherein the cavitation level signal is a signal comprising an integral of frequency components in at least one of a frequency band from 5% to 95% of the resonance frequency and a frequency band from 105% to 195% of the resonance frequency.
 8. The ultrasound operation system (1B) according to claim 1 or 2, comprising a notification section (52) that is configured to notify the generation level of the cavitation detected by the detection section (38).
 9. The ultrasound operationsystem (1B) according to claim 1 or 2, wherein the control section (40) is configured to switch between a plurality of control modes in which control contents are different.
 10. The ultrasound operation system (1B) according to

claim 9, further comprising a mode setting section (40b) that is configured to set the control modes.

11. The ultrasound operation system (1B) according to claim 9, wherein the control section (40) is configured to identify a type of the probe (2a, 3a, 4a) or the ultrasound transducer (2b, 3b, 4b), or a shape or a state of use of the distal end section (2e, 3e, 4e) and to switch the control mode in accordance with a result of the identification.
12. The ultrasound operation system (1B) according to claim 1 or 2, wherein the distal end section (2e, 3e, 4e) has a concavo-convex shape.

Patentansprüche

1. Ultraschallbetriebssystem (1B) aufweisend:

eine Ultraschallvorrichtung (21H) aufweisend:

einen Ultraschallwandler (2b, 3b, 4b), der dazu eingerichtet ist, Ultraschallvibrationen zu erzeugen;

einen Antriebsabschnitt (33), der dazu eingerichtet ist, den Ultraschallwandler (2b, 3b, 4b) mittels eines Antriebssignals anzutreiben;

eine Sonde (2a, 3a, 4a) mit einem proximalen Endabschnitt, der operativ mit dem Ultraschallwandler (2b, 3b, 4b) gekoppelt ist, und einem distalen Endabschnitt (2e, 3e, 4e), der dazu eingerichtet ist, Ultraschallvibrationen zum Behandeln eines lebenden Gewebes zu erzeugen, wobei die Sonde (2a, 3a, 4a) zum Senden der von dem Ultraschallwandler (2b, 3b, 4b) erzeugten Ultraschallvibrationen von dem proximalen Endabschnitt zu dem distalen Endabschnitt (2e, 3e, 4e) verwendet wird;

einen Resonanzfrequenzverfolgungsabschnitt (37), der dazu eingerichtet ist, automatisch eine Frequenz des Antriebssignals anzupassen, so dass der Ultraschallwandler (2b, 3b, 4b) eine Resonanzfrequenz des Ultraschallwandlers (2b, 3b, 4b) verfolgt;

einen Erfassungsabschnitt (38), der dazu eingerichtet ist, durch Erfassen eines Frequenzkomponentensignals einer anderen Frequenzkomponente als die Resonanzfrequenz eine Kavitation zu erfassen; und

einen Kontrollabschnitt (40), der dazu eingerichtet ist, eine Steuerung auszuführen, die das Antriebssignal ändert, um Kavitationen zu erzeugen oder einen Erzeugungs-

- betrag von Kavitationen in Übereinstimmung mit einem Erfassungsergebnis des durch den Erfassungsabschnitt (38) erfassten Frequenzkomponentensignals zu erhöhen oder beibehalten, wobei die Ultraschallbetriebsvorrichtung (21H) einen distalen Endabschnitt (2e, 3e, 4e) enthält, der dazu eingerichtet ist, Ultraschallvibrationen mit der verfolgten Resonanzfrequenz zu erzeugen;
- einen Saugantriebsabschnitt (88a), der dazu eingerichtet ist, eine Flüssigkeit an dem distalen Endabschnitt (2e, 3e, 4e) zu saugen;
- einen Saugbetragerfassungsabschnitt (86), der dazu eingerichtet ist, einen Saugbetrag, der durch den Saugantriebsabschnitt (88a) gesaugt wird, zu erfassen;
- einen Saugbetrageinstellabschnitt (91), der dazu eingerichtet ist, den Saugbetrag einzustellen; und
- einen Saugsteuerungsabschnitt (19), der dazu eingerichtet ist, den Saugantriebsabschnitt (88a) in Übereinstimmung mit dem Saugbetrageinstellabschnitt (91) zu steuern.
2. Ultraschallbetriebssystem (1B) nach Anspruch 1, bei dem, wenn der durch den Saugbetragerfassungsabschnitt (86) erfasste Saugbetrag größer als der durch den Saugbetrageinstellabschnitt (91) eingestellte Saugbetrag ist, der Steuerungsabschnitt (40) dazu eingerichtet ist, Steuerung auszuführen, um den Erzeugungsbetrag der Kavitation beizubehalten.
3. Ultraschallbetriebssystem (1B) nach Anspruch 1 oder 2, bei dem der Erfassungsabschnitt (38) dazu eingerichtet ist, mindestens einen eines Spannungswerts, eines Stromwerts und eines Impedanzwerts einer Frequenzkomponente bei einer anderen Frequenz als die Resonanzfrequenz des Antriebssignals als das Kavitationsniveausignal zu erfassen.
4. Ultraschallbetriebssystem (1B) nach Anspruch 1 oder 2, aufweisend einen Kavitationseinstellabschnitt (24C), der dazu eingerichtet ist, einen Erzeugungsbetrag der Kavitation einzustellen.
5. Ultraschallbetriebssystem (1B) nach Anspruch 4, bei dem der Kontrollabschnitt (40) dazu eingerichtet ist, das Antriebssignal basierend auf dem durch den Erfassungsabschnitt (38) erfassten Kavitationsniveausignal zu steuern, so dass der Erzeugungsbetrag der Kavitation, die durch den Einstellabschnitt (24C) eingestellt wird, beibehalten wird.
6. Ultraschallbetriebssystem (1B) nach Anspruch 1 oder 2, bei dem das Kavitationsniveausignal ein Signal ist, welches ein Integral von Frequenzkomponenten bei Frequenzen aufweist, die größer als die Resonanzfrequenz und kleiner als eine harmonische Welle zweiter Ordnung der Resonanzfrequenz sind.
7. Ultraschallbetriebssystem (1B) nach Anspruch 1 oder 2, bei dem das Kavitationsniveausignal ein Signal ist, welches ein Integral von Frequenzkomponenten in einem Frequenzband von 5% bis 95% der Resonanzfrequenz und/oder einem Frequenzband von 105% bis 195% der Resonanzfrequenz aufweist.
8. Ultraschallbetriebssystem (1B) nach Anspruch 1 oder 2, aufweisend einen Benachrichtigungsabschnitt (52), der dazu eingerichtet ist, das durch den Erfassungsabschnitt (38) erfasste Erzeugungsniveau der Kavitation zu benachrichtigen.
9. Ultraschallbetriebssystem (1B) nach Anspruch 1 oder 2, bei dem der Kontrollabschnitt (40) dazu eingerichtet ist, zwischen einer Mehrzahl von Steuerungsmodi, in denen sich Steuerungsinhalte unterscheiden, zu schalten.
10. Ultraschallbetriebssystem (1B) nach Anspruch 9, ferner aufweisend einen Moduseinstellabschnitt (40b), der dazu eingerichtet ist, die Steuerungsmodi einzustellen.
11. Ultraschallbetriebssystem (1B) nach Anspruch 9, bei dem der Kontrollabschnitt (40) dazu eingerichtet ist, eine Art der Sonde (2a, 3a, 4a) oder des Ultraschallwandlers (2b, 3b, 4b), oder eine Form oder einen Verwendungszustand des distalen Endabschnitts (2e, 3e, 4e) zu identifizieren und den Steuerungsmodus in Übereinstimmung mit einem Ergebnis der Identifikation zu schalten.
12. Ultraschallbetriebssystem (1B) nach Anspruch 1 oder 2, bei dem der distale Endabschnitt (2e, 3e, 4e) eine konkav-konvexe Form aufweist.

Revendications

1. Système (1B) à fonctionnement par ultrasons, comprenant :
- un appareil (21H) à fonctionnement par ultrasons, comprenant :
- un transducteur (2b, 3b, 4b) d'ultrasons configuré pour générer des vibrations ultrasonores ;
- une section (33) de pilotage configurée pour

piloter le transducteur (2b, 3b, 4b) d'ultrasons au moyen d'un signal de pilotage ;
 une sonde (2a, 3a, 4a) ayant une section d'extrémité proximale qui est opérationnellement couplée avec le transducteur (2b, 3b, 4b) d'ultrasons, et une section (2e, 3e, 4e) d'extrémité distale configurée pour générer des vibrations ultrasonores pour traiter un tissu vivant, la sonde (2a, 3a, 4a) étant utilisée pour transmettre les vibrations ultrasonores générées par le transducteur (2b, 3b, 4b) d'ultrasons de la section d'extrémité proximale à la section (2e, 3e, 4e) d'extrémité distale ;
 une section (37) de suivi de fréquence de résonance configurée pour ajuster automatiquement une fréquence du signal de pilotage de façon à ce que le transducteur (2b, 3b, 4b) d'ultrasons suive une fréquence de résonance du transducteur (2b, 3b, 4b) d'ultrasons ;
 une section (38) de détection configurée pour détecter une cavitation en détectant un signal de composante fréquentielle d'une composante fréquentielle autre que la fréquence de résonance ; et
 une section (40) de commande configurée pour exécuter une commande qui change le signal de pilotage de façon à générer des cavitations ou à augmenter ou maintenir une quantité de génération de cavitations en fonction d'un résultat de détection du signal de composante fréquentielle qui est détecté par la section (38) de détection, l'appareil (21H) à fonctionnement par ultrasons incluant une section (2e, 3e, 4e) d'extrémité distale configurée pour générer des vibrations ultrasonores à la fréquence de résonance suivie ;

une section (88a) de pilotage d'aspiration configurée pour aspirer un liquide à partir de la section (2e, 3e, 4e) d'extrémité distale ;
 une section (86) de détection de quantité d'aspiration configurée pour détecter une quantité d'aspiration qui est aspirée par la section (88a) de pilotage d'aspiration ;
 une section (91) de fixation de quantité d'aspiration configurée pour fixer la quantité d'aspiration ; et
 une section (90) de commande d'aspiration configurée pour commander la section (88a) de pilotage d'aspiration en fonction de la section (91) de fixation de quantité d'aspiration.

2. Système (1B) à fonctionnement par ultrasons selon la revendication 1, dans lequel, lorsque la quantité d'aspiration détectée par la section (86) de détection

de quantité d'aspiration est supérieure à la quantité d'aspiration fixée par la section (91) de fixation de quantité d'aspiration, la section (40) de commande est configurée pour exécuter une commande pour maintenir la quantité de génération de la cavitation.

3. Système (1B) à fonctionnement par ultrasons selon la revendication 1 ou 2, dans lequel la section (38) de détection est configurée pour détecter au moins une parmi une valeur de tension, une valeur de courant, et une valeur d'impédance d'une composante fréquentielle à une fréquence autre que la fréquence de résonance du signal de pilotage comme le signal de niveau de cavitation.
4. Système (1B) à fonctionnement par ultrasons selon la revendication 1 ou 2, comprenant une section (24C) de fixation de cavitation configurée pour fixer une quantité de génération de la cavitation.
5. Système (1B) à fonctionnement par ultrasons selon la revendication 4, dans lequel la section (40) de commande est configurée pour commander le signal de pilotage sur la base du signal de niveau de cavitation détecté par la section (38) de détection de façon à maintenir la quantité de génération de la cavitation qui est fixée par la section (24C) de fixation de cavitation.
6. Système (1B) à fonctionnement par ultrasons selon la revendication 1 ou 2, dans lequel le signal de niveau de cavitation est un signal comprenant une intégrale de composantes fréquentielles à des fréquences qui sont supérieures à la fréquence de résonance et inférieures à une onde harmonique de second ordre de la fréquence de résonance.
7. Système (1B) à fonctionnement par ultrasons selon la revendication 1 ou 2, dans lequel le signal de niveau de cavitation est un signal comprenant une intégrale de composantes fréquentielles dans au moins une parmi une bande de fréquences de 5 % à 95 % de la fréquence de résonance et une bande de fréquences de 105 % à 195 % de la fréquence de résonance.
8. Système (1B) à fonctionnement par ultrasons selon la revendication 1 ou 2, comprenant une section (52) de notification qui est configurée pour notifier le niveau de génération de la cavitation détecté par la section (38) de détection.
9. Système (1B) à fonctionnement par ultrasons selon la revendication 1 ou 2, dans lequel la section (40) de commande est configurée pour commuter entre une pluralité de modes de commande dans lesquels des contenus de commande sont différents.

10. Système (1B) à fonctionnement par ultrasons selon la revendication 9, comprenant en outre une section (40b) de fixation de modes qui est configurée pour fixer les modes de commande.
- 5
11. Système (1B) à fonctionnement par ultrasons selon la revendication 9, dans lequel la section (40) de commande est configurée pour identifier un type de la sonde (2a, 3a, 4a) ou du transducteur (2b, 3b, 4b) d'ultrasons, ou une forme ou un état d'utilisation de la section (2e, 3e, 4e) d'extrémité distale et pour commuter le mode de commande en fonction d'un résultat de l'identification.
- 10
- 15
12. Système (1B) à fonctionnement par ultrasons selon la revendication 1 ou 2, dans lequel la section (2e, 3e, 4e) d'extrémité distale a une forme concavo-convexe.
- 20

25

30

35

40

45

50

55

FIG.1

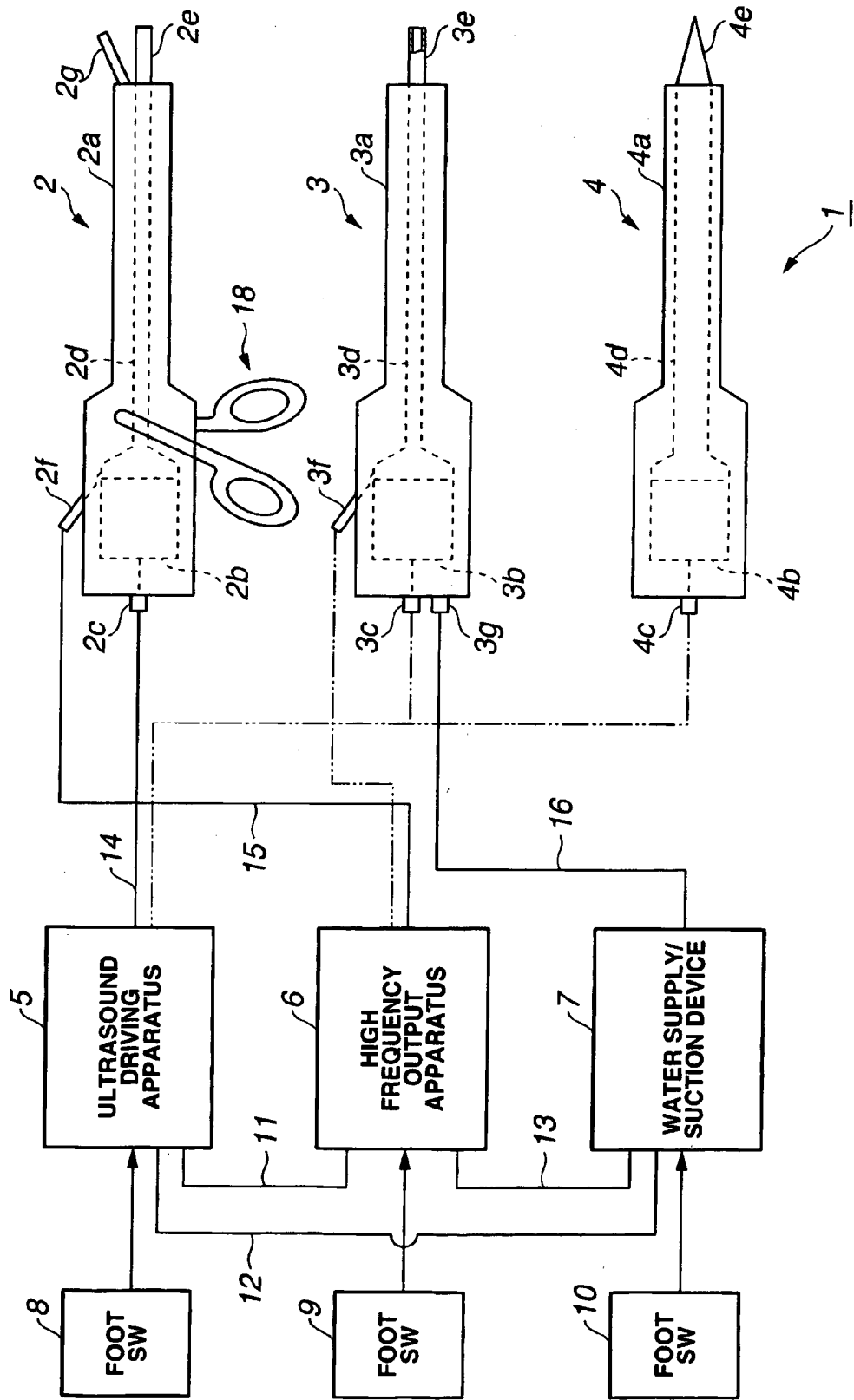


FIG.2

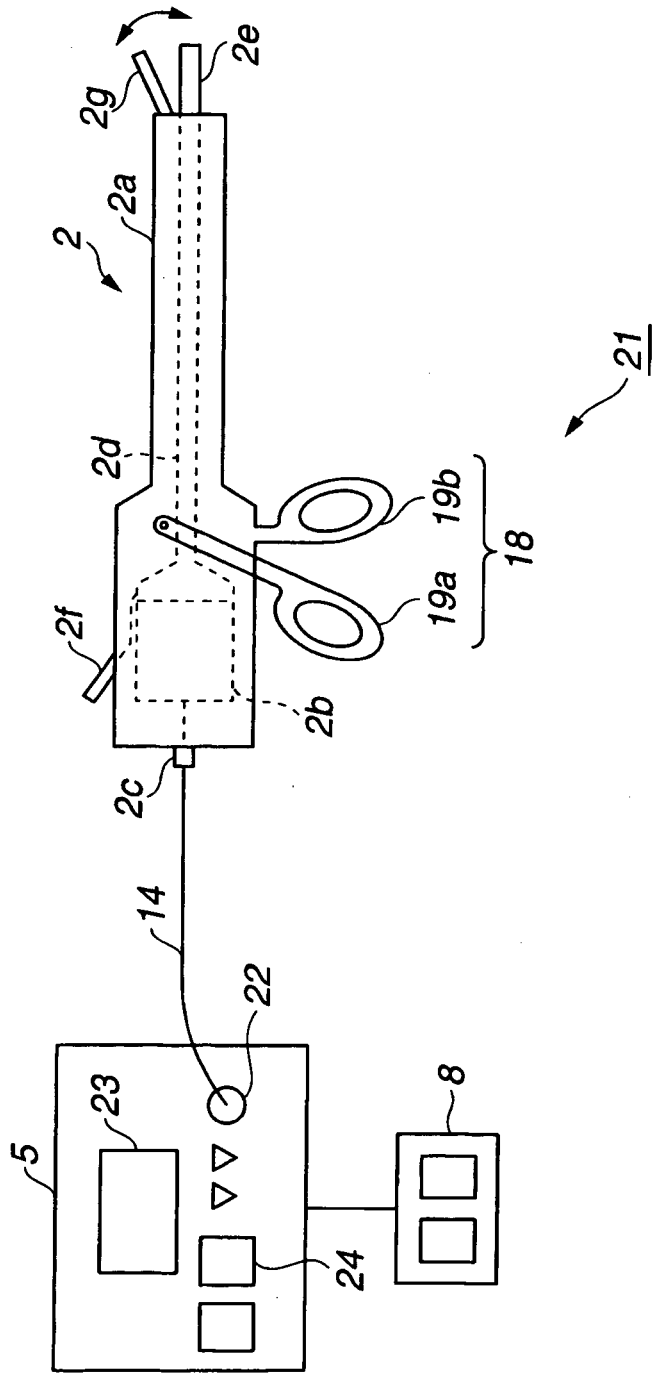


FIG.3

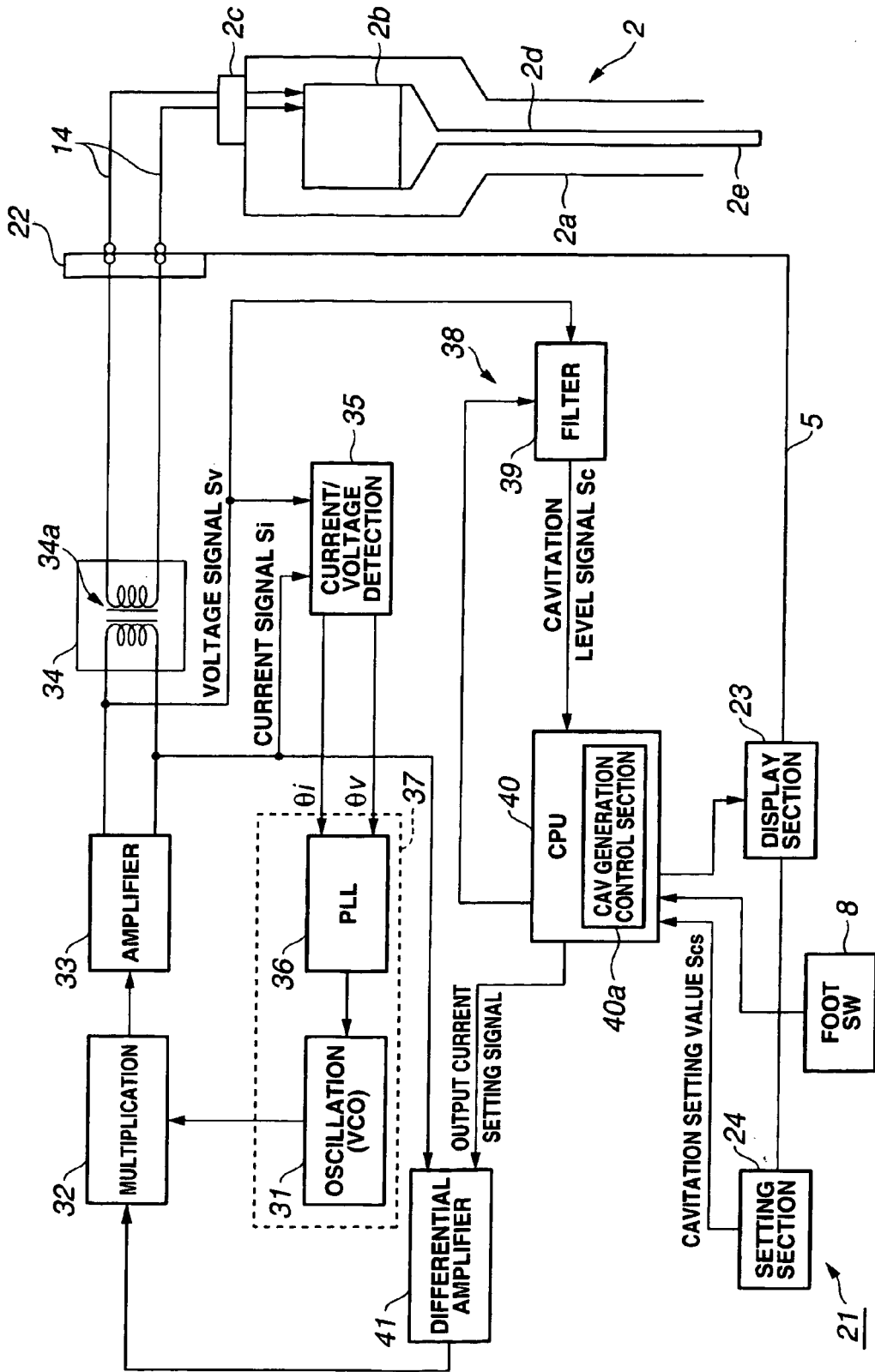


FIG.4A

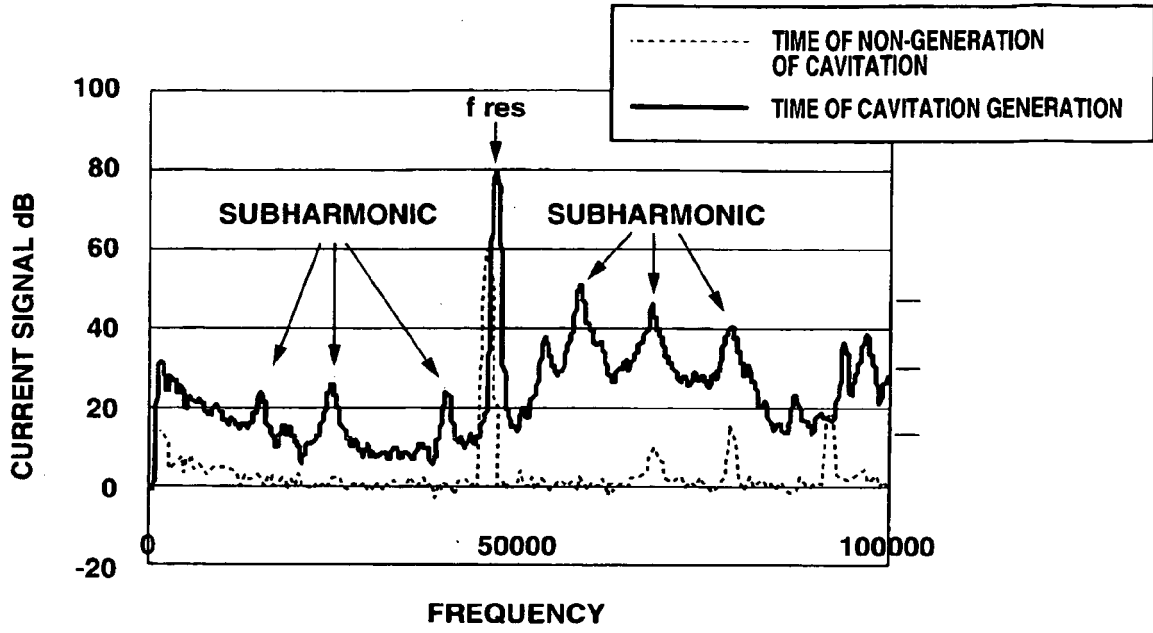


FIG.4B

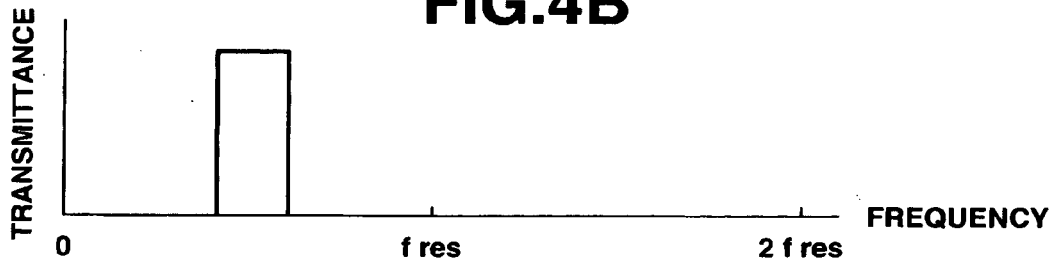


FIG.4C

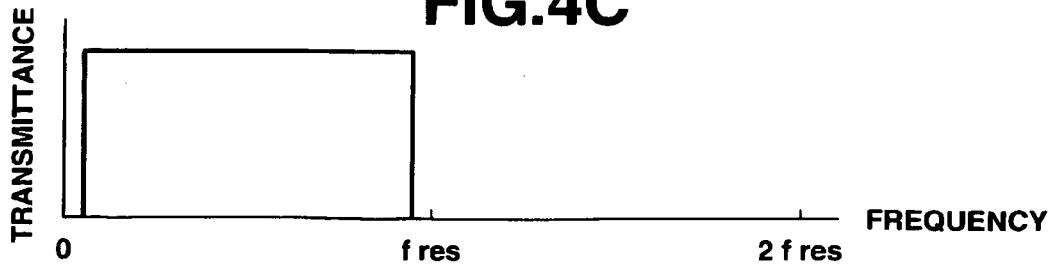


FIG.4D

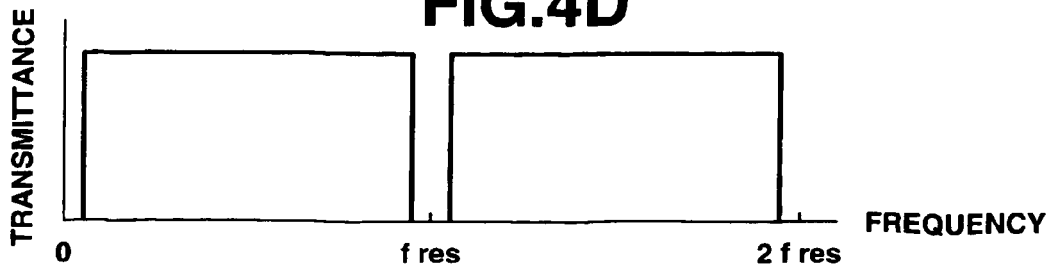


FIG.5

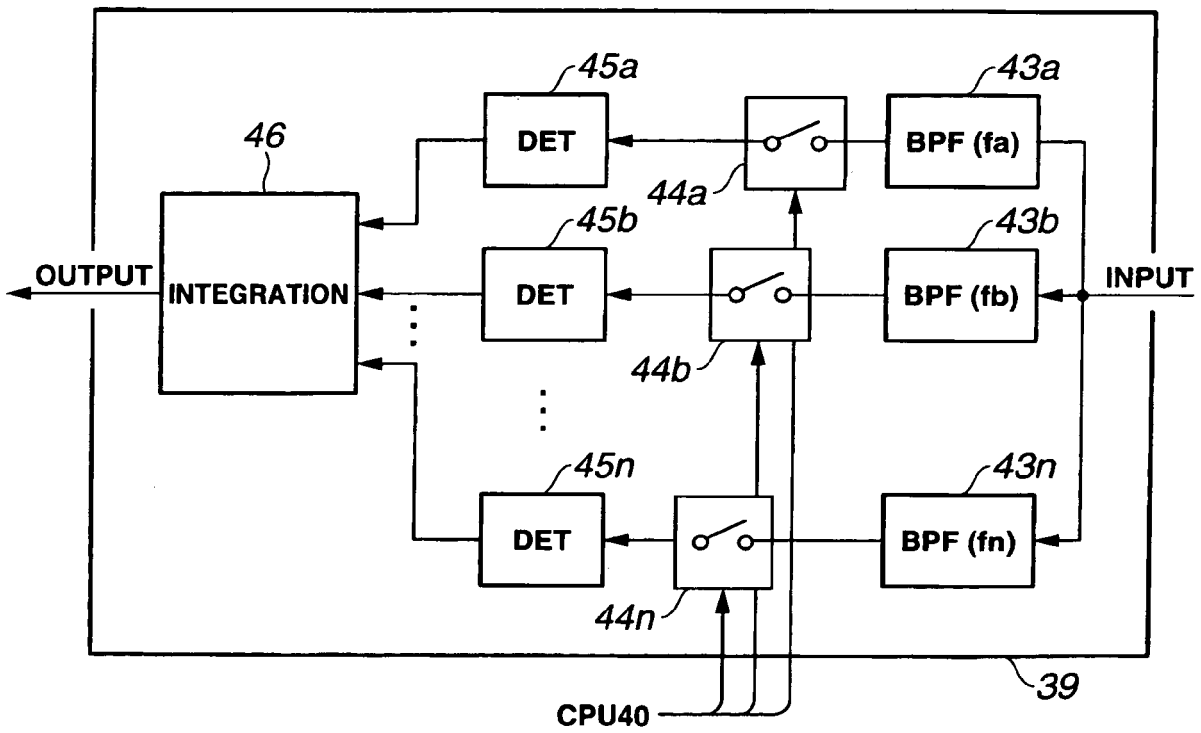


FIG.6

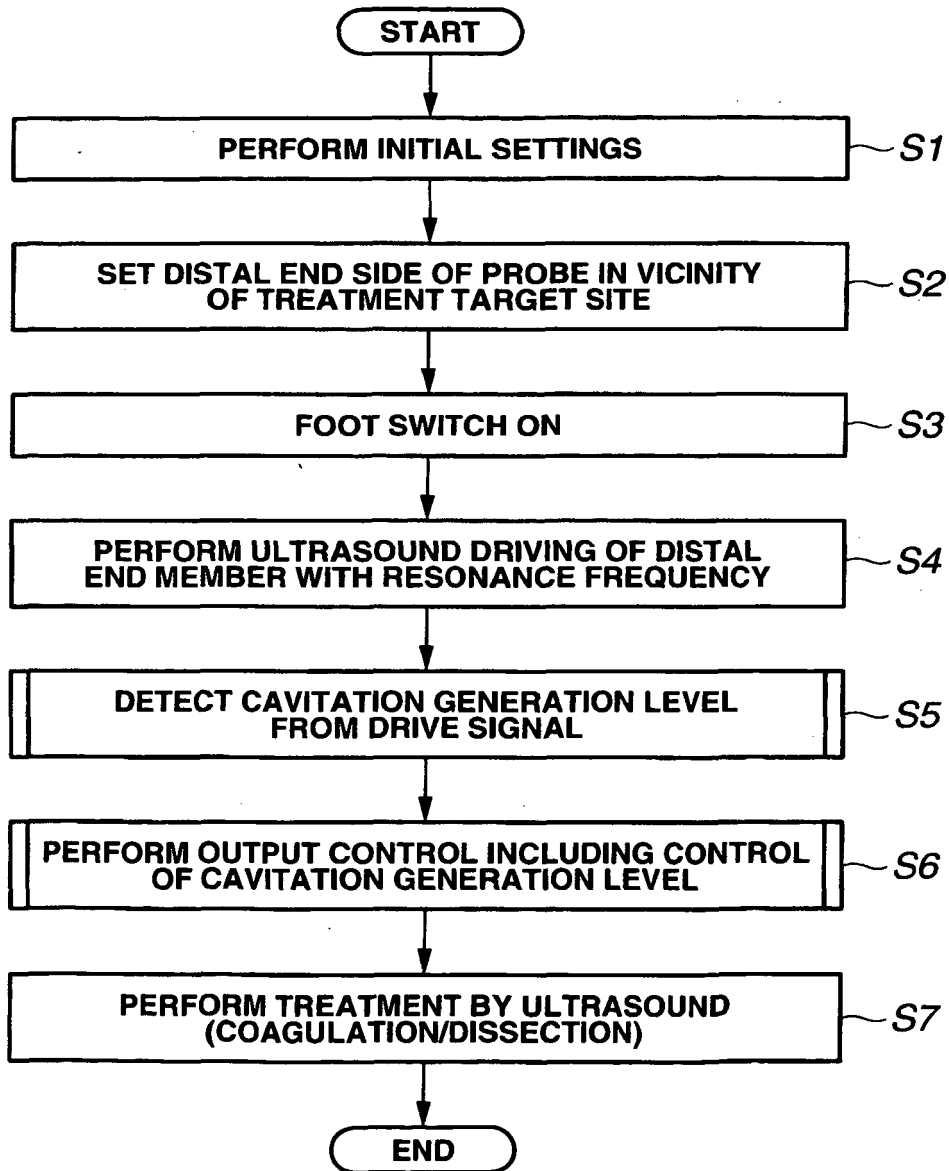


FIG.7

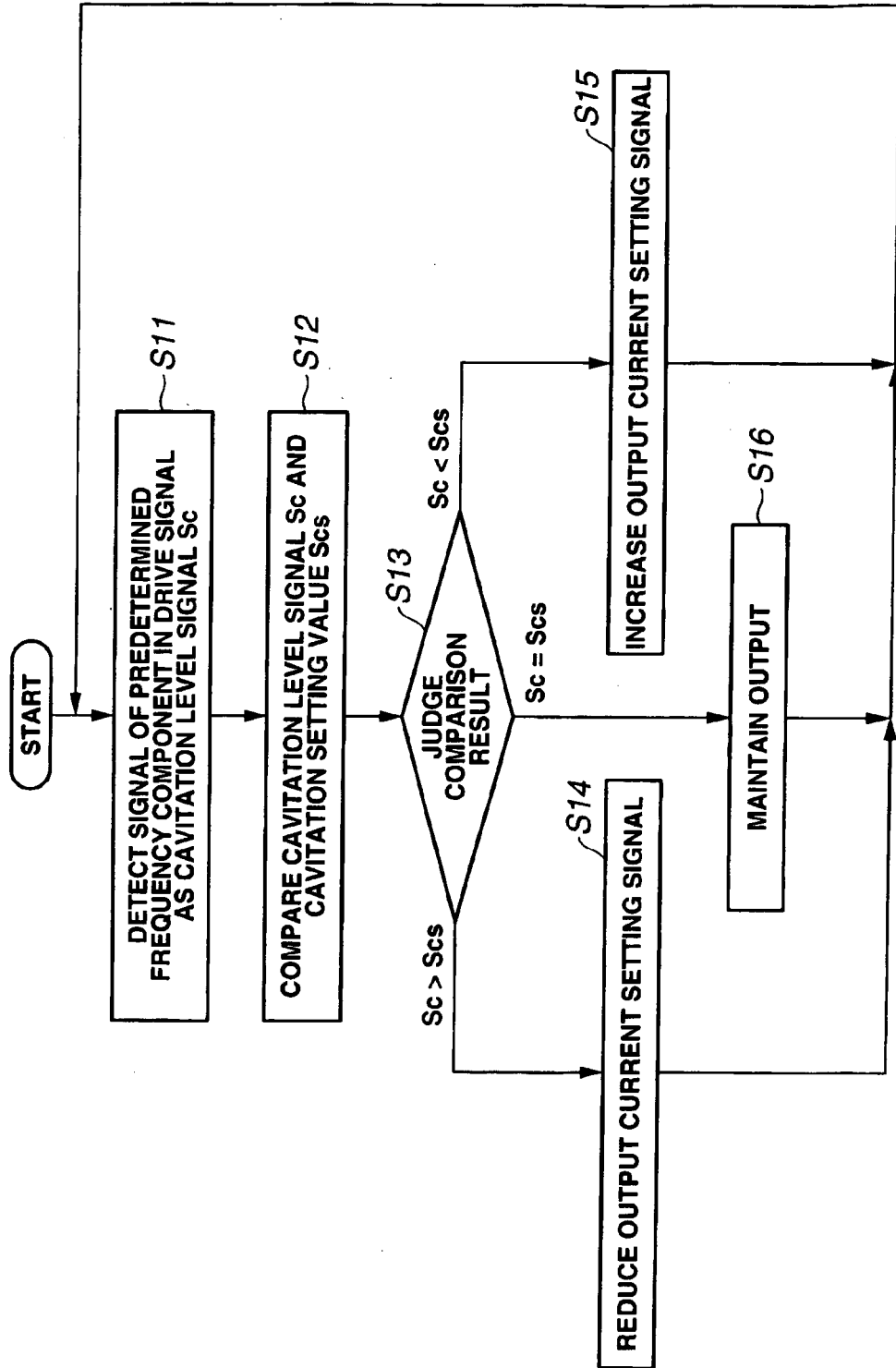


FIG.8

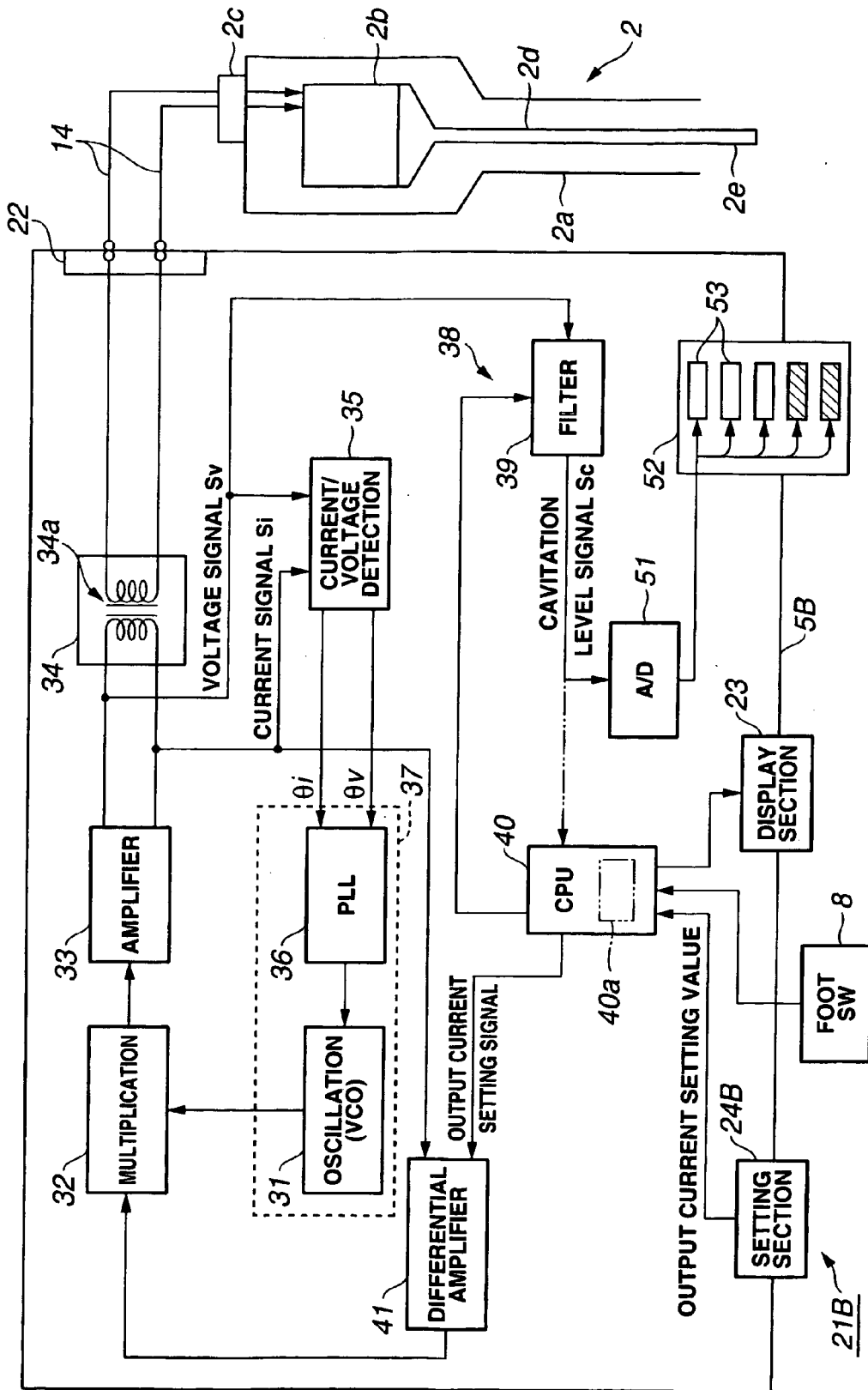


FIG.9

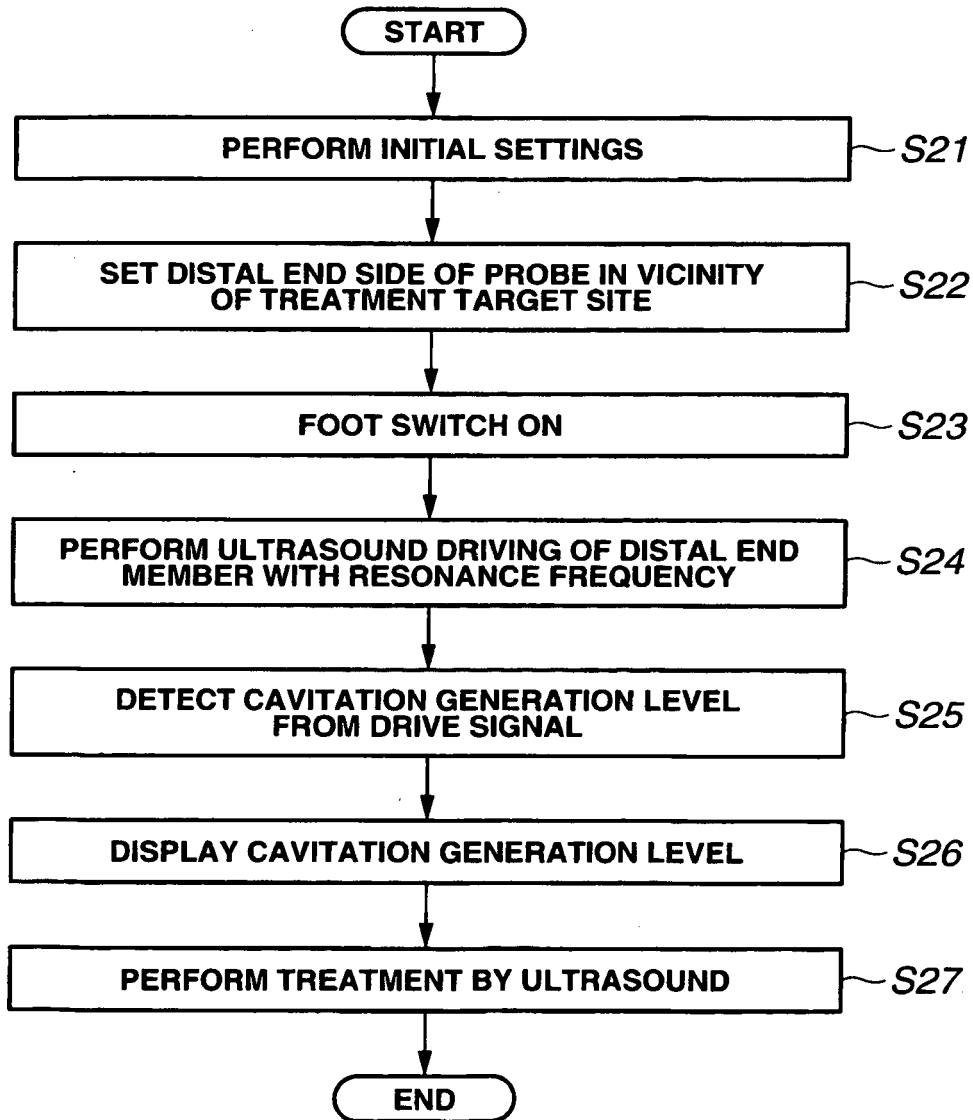


FIG.10

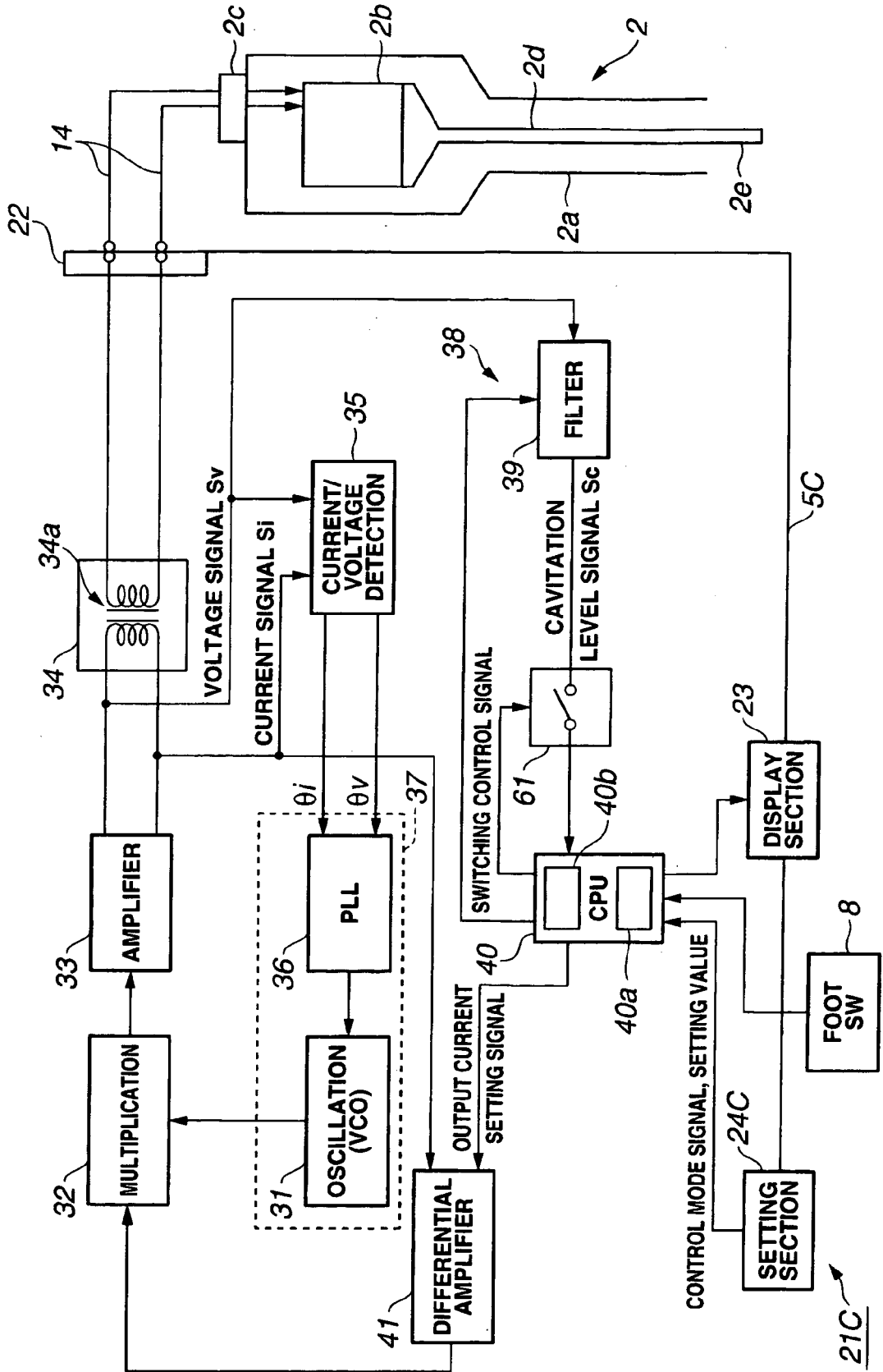


FIG.11

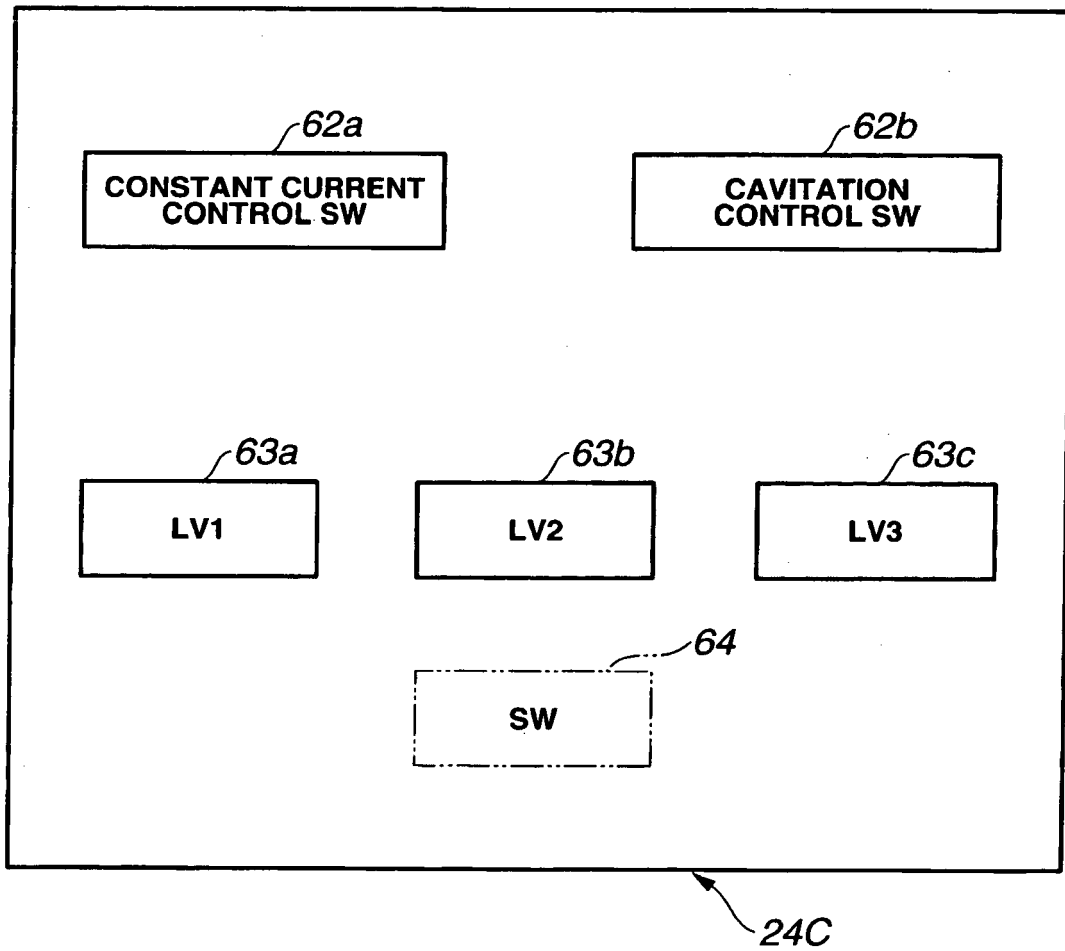


FIG.12

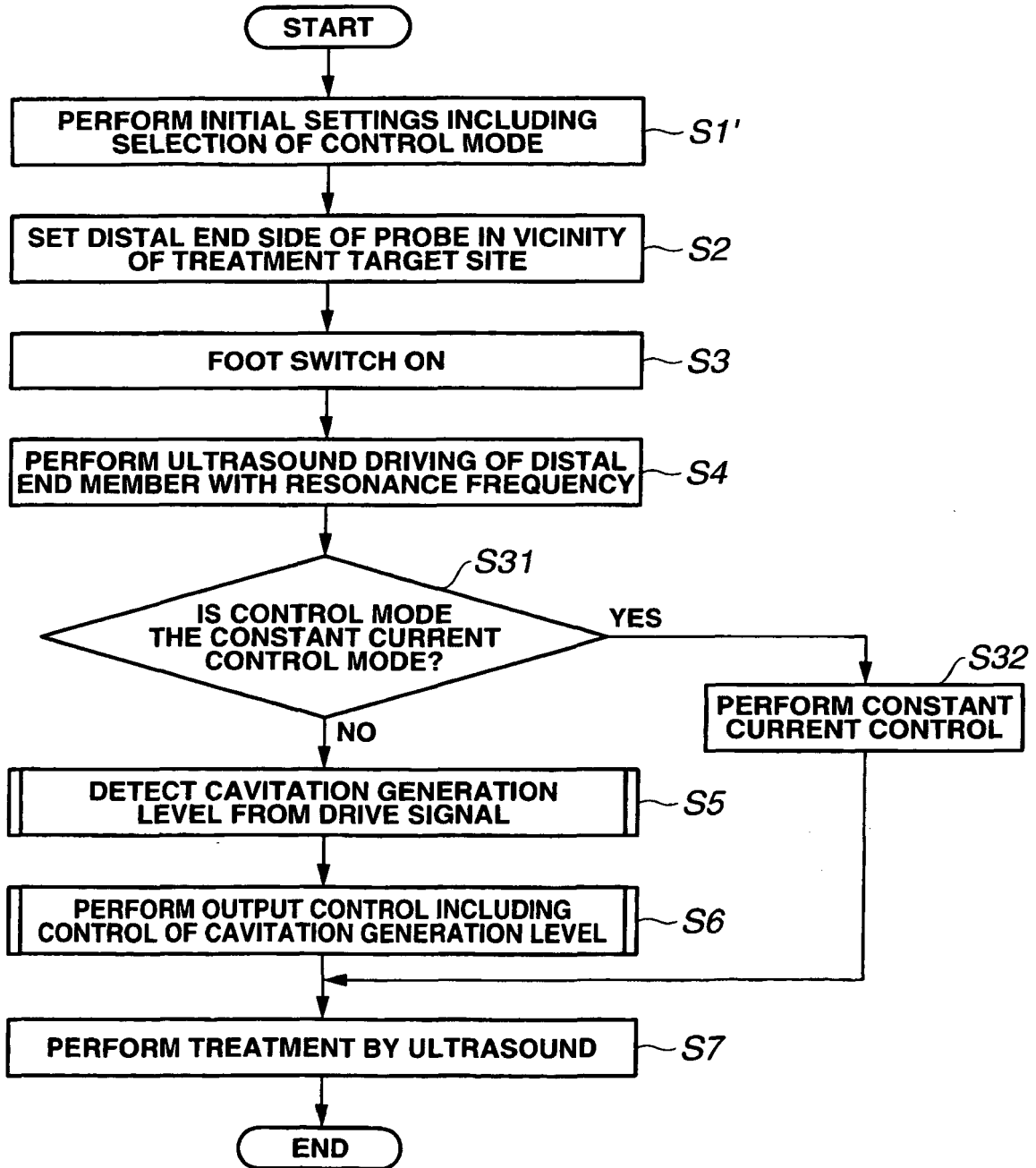


FIG.13

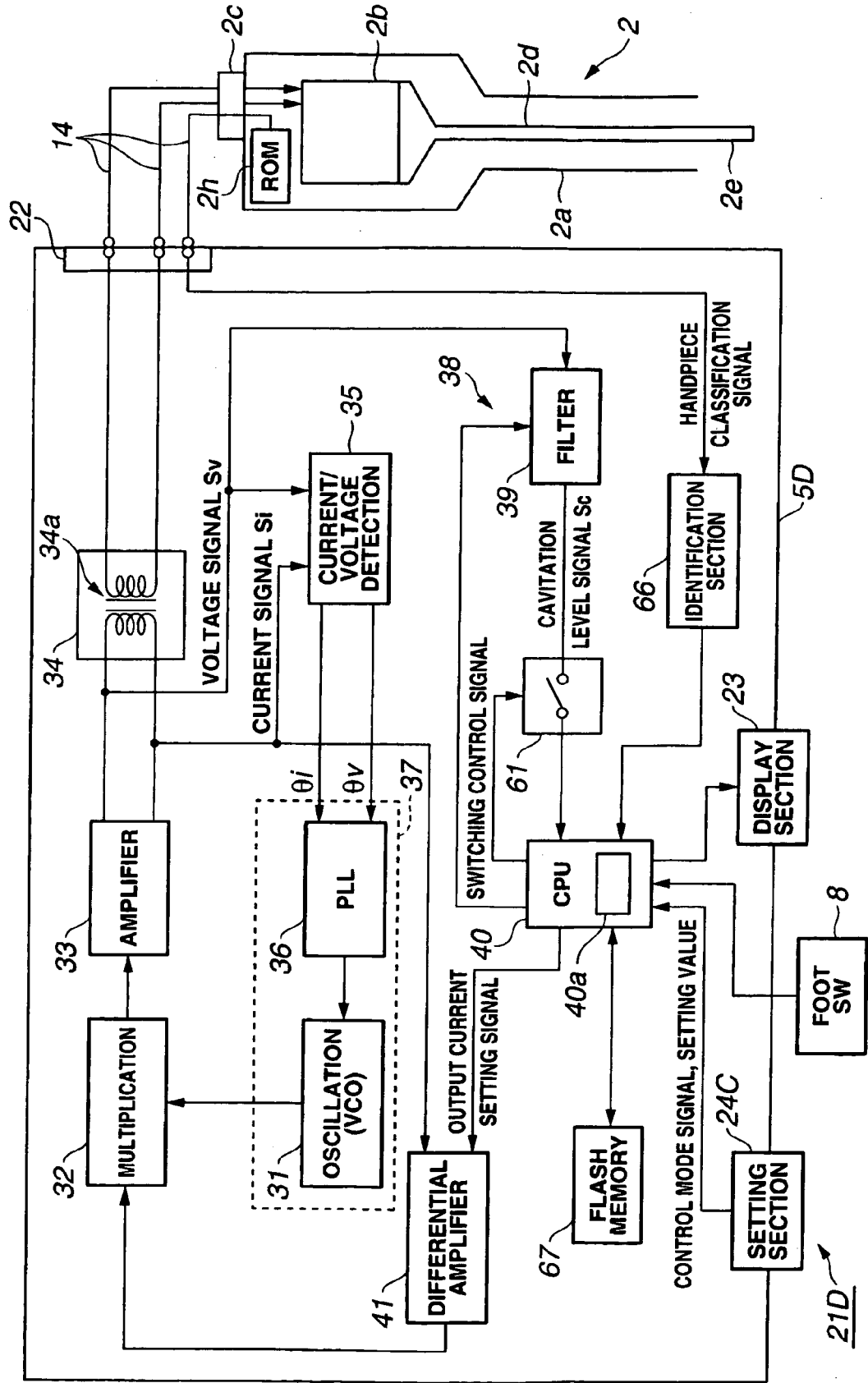


FIG.14

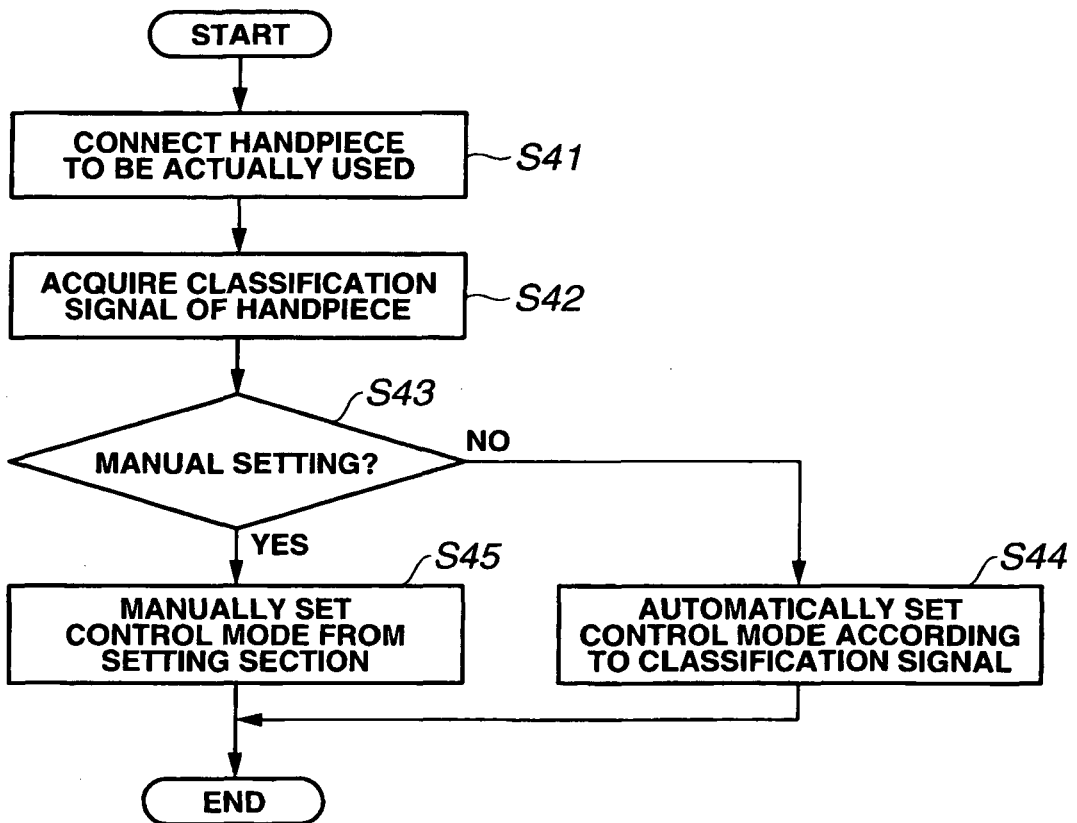


FIG.15

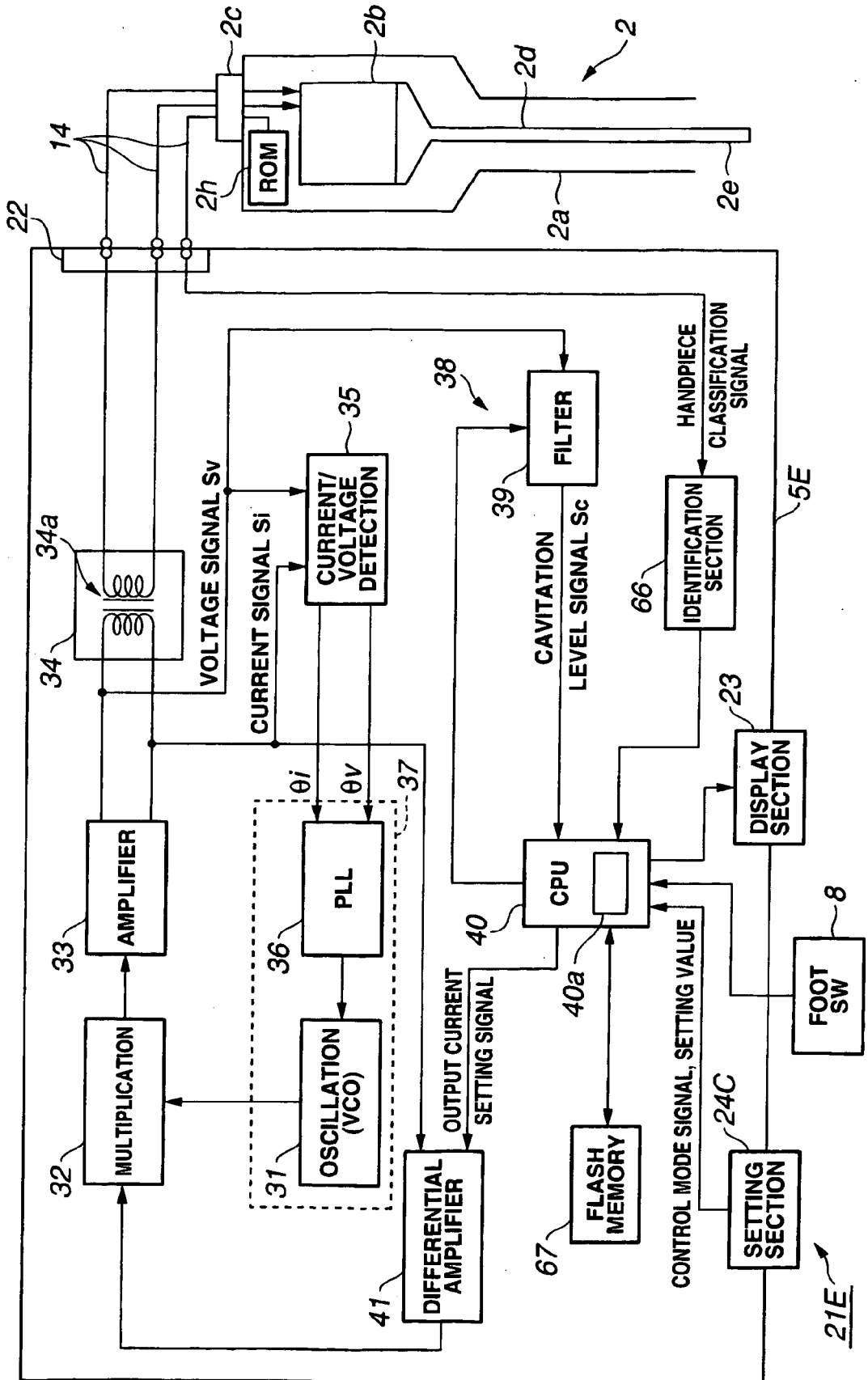


FIG.16

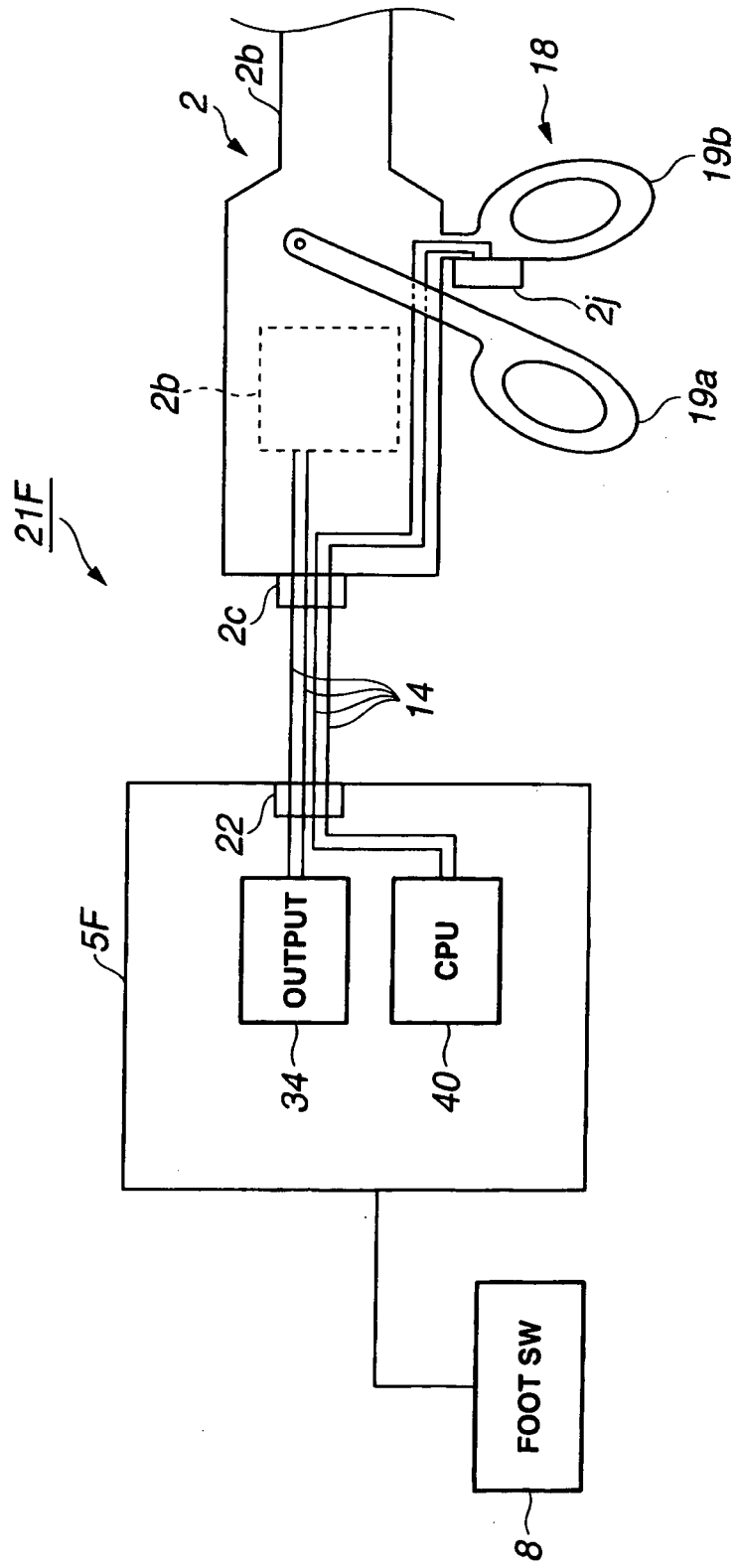


FIG.17

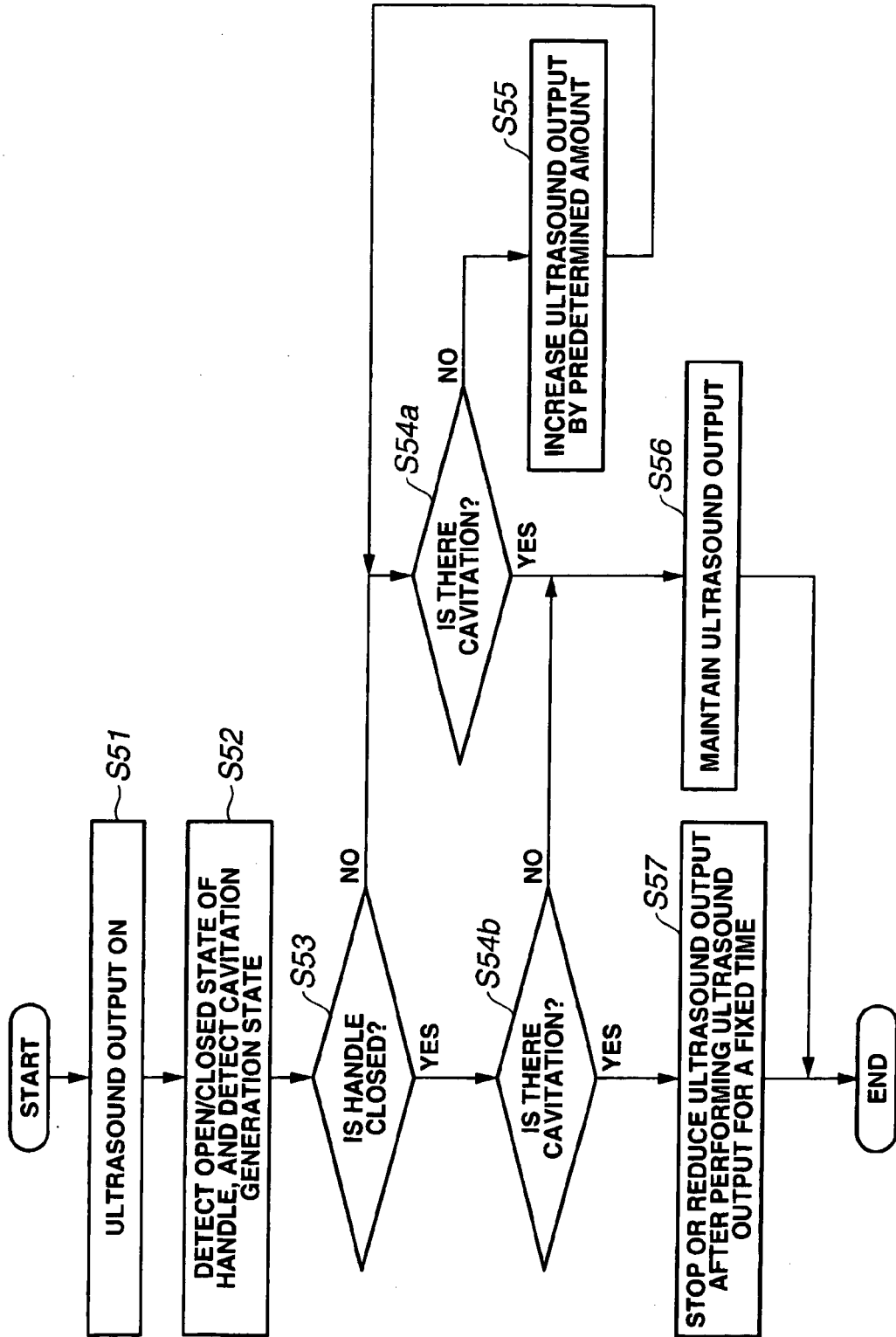


FIG.18

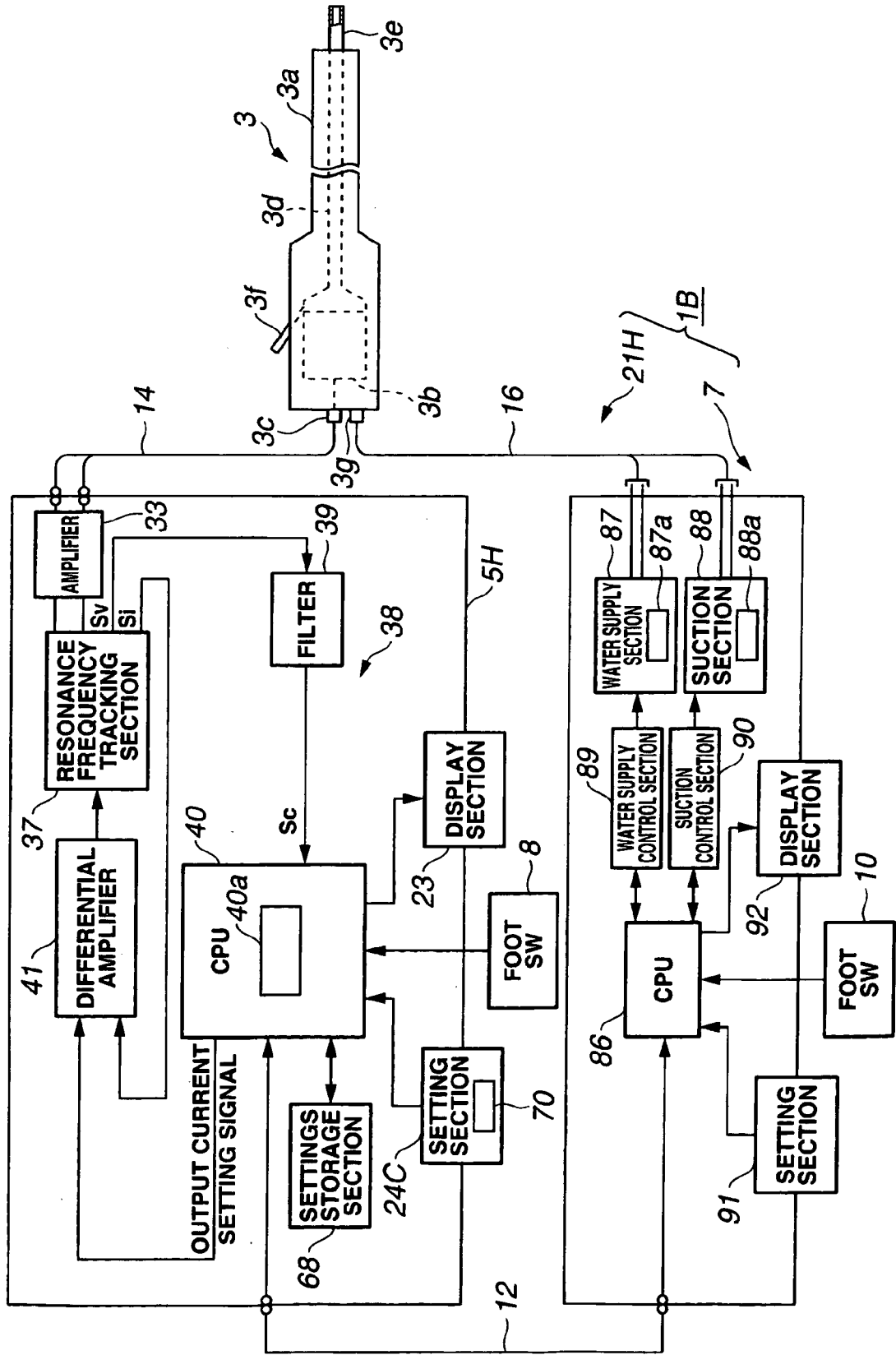


FIG.19

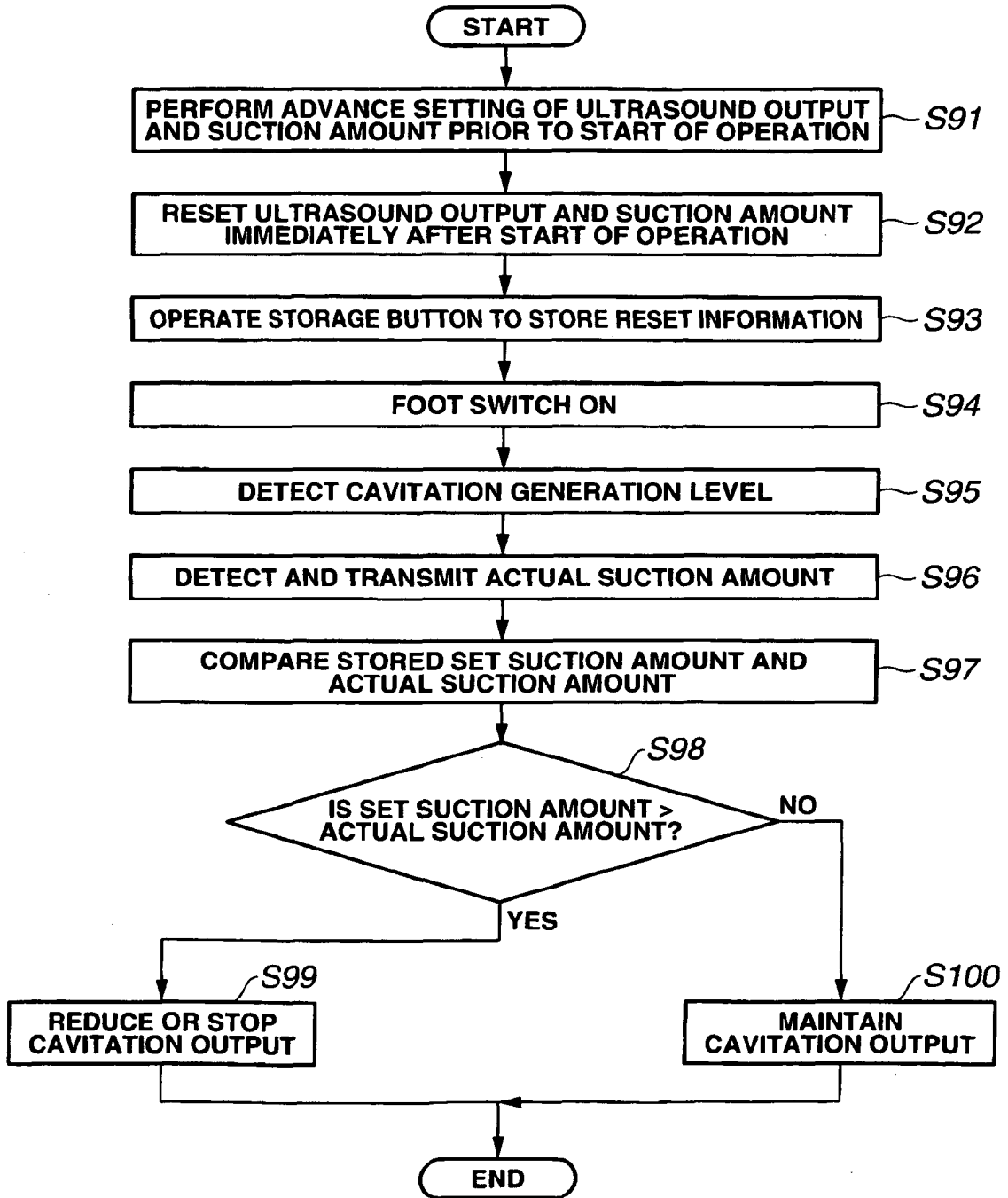


FIG.20A

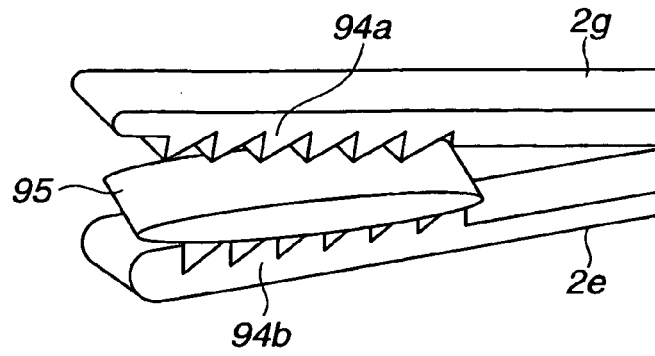


FIG.20B

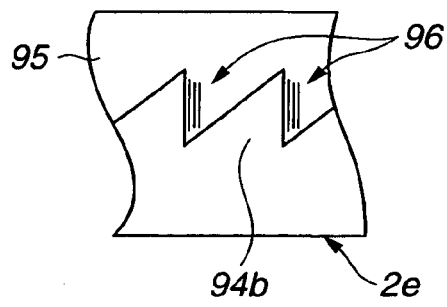


FIG.20C

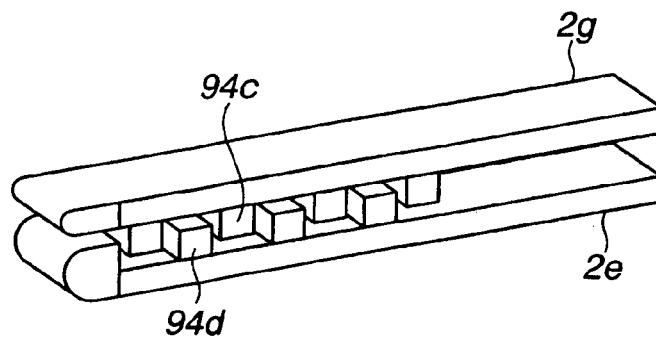


FIG.20D

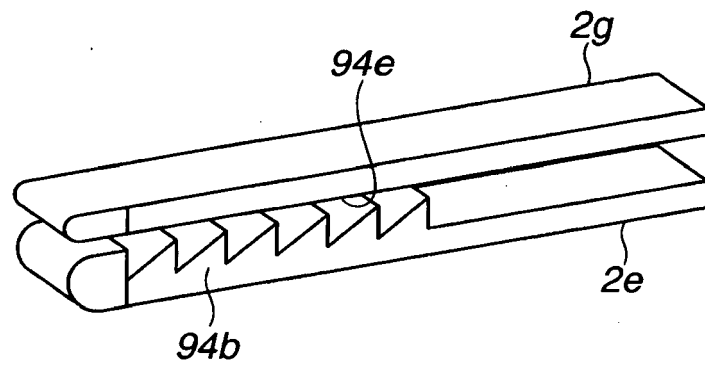


FIG.20E

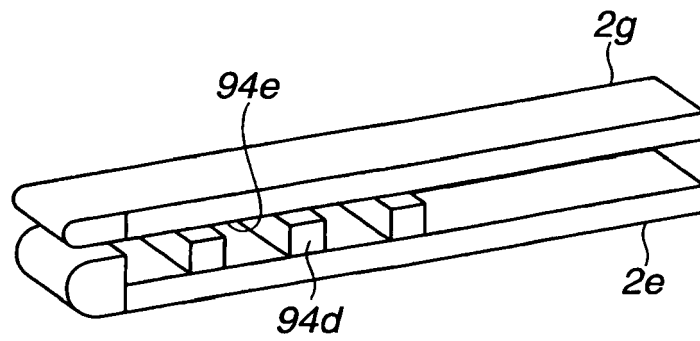


FIG. 21

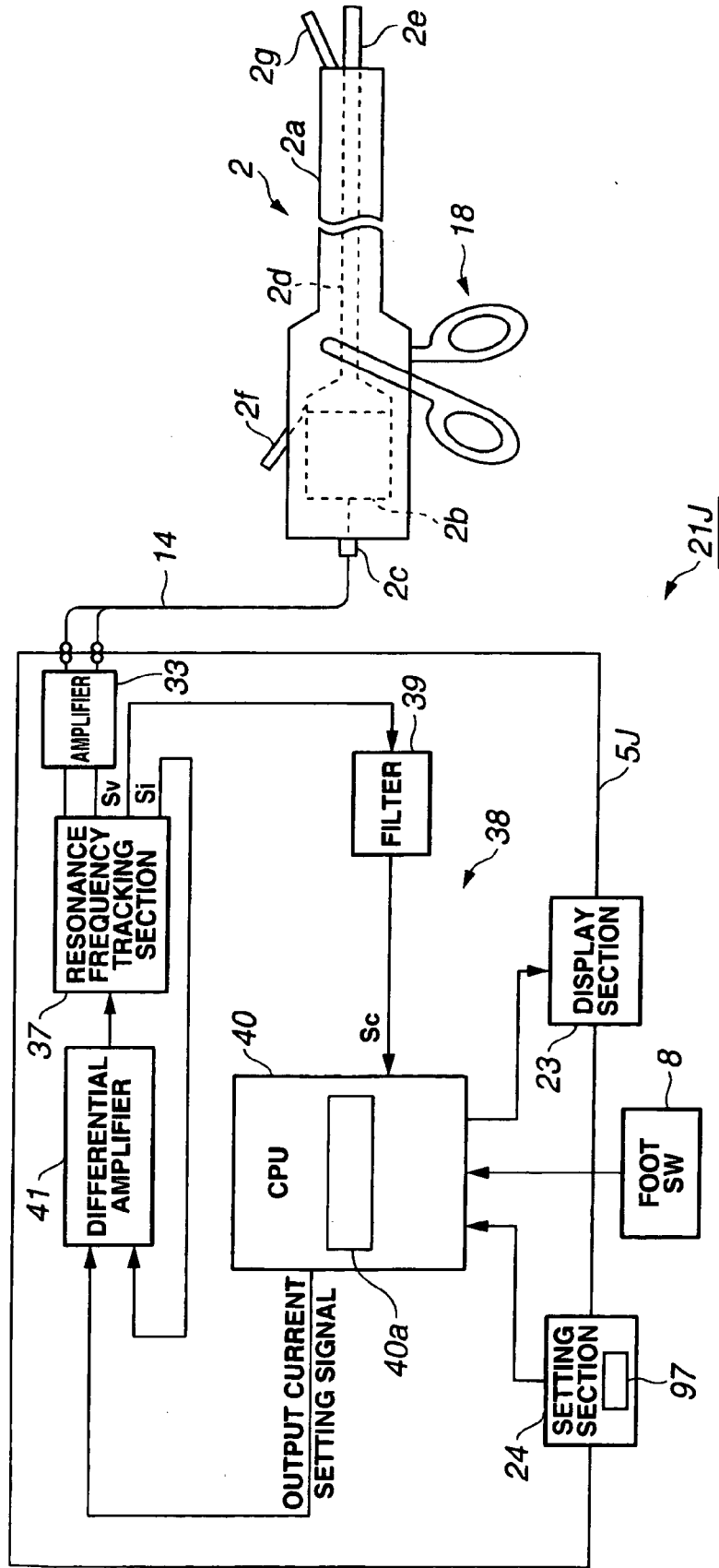


FIG.22A

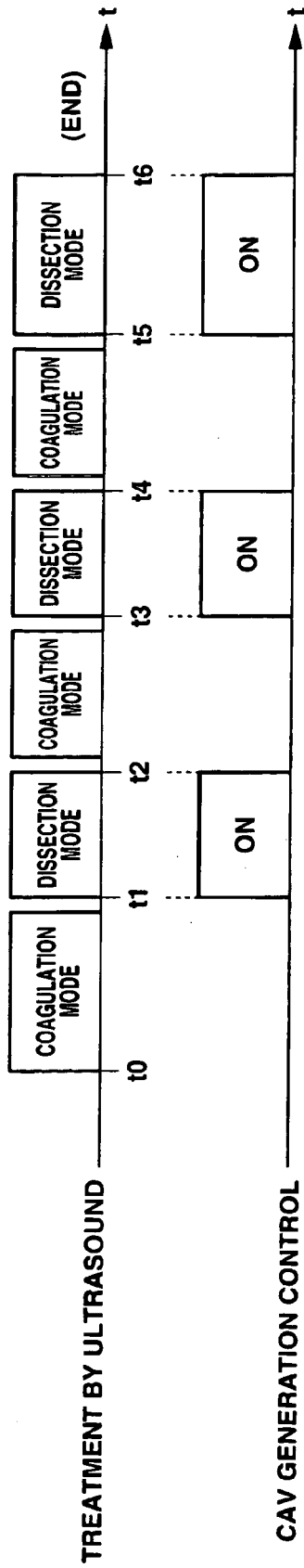
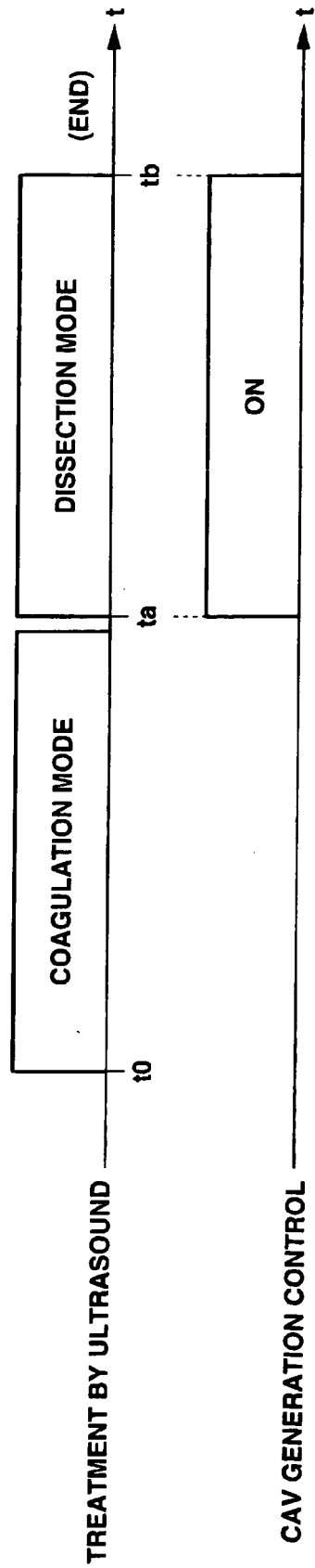


FIG.22B



REFERENCES CITED IN THE DESCRIPTION

This list of references cited by the applicant is for the reader's convenience only. It does not form part of the European patent document. Even though great care has been taken in compiling the references, errors or omissions cannot be excluded and the EPO disclaims all liability in this regard.

Patent documents cited in the description

- JP 2002537955 A [0004]
- WO 2005094701 A [0005]
- JP 2008188160 A [0102]
- US 47770709 A [0247]