

(19)



(11)

EP 3 684 864 B9

(12)

CORRECTED EUROPEAN PATENT SPECIFICATION

(15) Correction information:

Corrected version no 1 (W1 B1)
Corrections, see
Claims EN 1

(51) International Patent Classification (IPC):

C09D 5/00 *(2006.01)* **C08L 23/12** *(2006.01)*

(52) Cooperative Patent Classification (CPC):
(C-Sets available)

C08L 23/12; C09D 5/00; C09D 5/03; C09D 7/65;
C09D 7/66 (Cont.)

(48) Corrigendum issued on:

20.04.2022 Bulletin 2022/16

(45) Date of publication and mention
of the grant of the patent:

20.10.2021 Bulletin 2021/42

(86) International application number:

PCT/US2018/049913

(87) International publication number:

WO 2019/055304 (21.03.2019 Gazette 2019/12)

(21) Application number: **18779880.6**

(22) Date of filing: **07.09.2018**

(54) COMPOSITIONS CONTAINING COATED POLYMER PARTICLES AND TPO COMPOSITIONS FORMED FROM THE SAME

ZUSAMMENSETZUNGEN MIT BESCHICHTETEN POLYMERPARTIKELN UND DARAUS GEBILDETE TPO-ZUSAMMENSETZUNGEN

COMPOSITIONS CONTENANT DES PARTICULES DE POLYMÈRE ENROBÉES ET COMPOSITIONS DE TPO FORMÉES À PARTIR DE CELLES-CI

(84) Designated Contracting States:

**AL AT BE BG CH CY CZ DE DK EE ES FI FR GB
 GR HR HU IE IS IT LI LT LU LV MC MK MT NL NO
 PL PT RO RS SE SI SK SM TR**

• **HUGHES, Morgan M.**
Angleton, TX 77515 (US)

(30) Priority: **18.09.2017 US 201762559898 P**

(74) Representative: **Boult Wade Tennant LLP**
Salisbury Square House
8 Salisbury Square
London EC4Y 8AP (GB)

(43) Date of publication of application:

29.07.2020 Bulletin 2020/31

(56) References cited:

EP-A1- 1 403 313 EP-A1- 2 055 458
WO-A1-2008/013266 WO-A1-2009/035877
WO-A1-2014/152726 WO-A2-01/12716
US-A1- 2004 236 023 US-A1- 2010 124 605

(73) Proprietor: **Dow Global Technologies LLC**

Midland, MI 48674 (US)

(72) Inventors:

- **MUNRO, Jeffrey C.**
Lake Jackson, TX 77566 (US)
- **LEE, Jihean**
Pearland, TX 77584 (US)

EP 3 684 864 B9

Note: Within nine months of the publication of the mention of the grant of the European patent in the European Patent Bulletin, any person may give notice to the European Patent Office of opposition to that patent, in accordance with the Implementing Regulations. Notice of opposition shall not be deemed to have been filed until the opposition fee has been paid. (Art. 99(1) European Patent Convention).

(52) Cooperative Patent Classification (CPC): (Cont.)

C-Sets

C08L 23/12, C08L 23/16, C08K 3/34, C08K 5/098

Description

BACKGROUND

- 5 **[0001]** Ethylene/ α -olefin elastomers have been used for several decades as impact modifiers to polypropylene, particularly for talc-filled polypropylene compounds commonly referred to as TPOs. TPO compounds are prevalent in the automotive industry, where they are used to make interior and exterior car parts, such as bumper fascia, interior door panels, airbag covers, and many other components. The majority of the parts are made by injection molding. As automotive manufacturers continue to reduce the weight of the vehicle for better fuel economy, there is a desire to reduce the thickness of TPO parts. At the same time, there is an increase in design complexity, to better improve vehicle aesthetics, and incorporation of more electronics and sensors. Both "thin-walling" and design complexity require TPO compounds with higher flow, particularly in the injection molding process. Traditionally, increasing the flow of the TPO, by, for example, increasing the melt flow rate of the polypropylene matrix, results in a loss in impact performance, which is undesirable.
- 10 **[0002]** WO2014/152726 relates to ethylene/propylene/diene polymer (EPDM) packaging systems and process.
- 15 **[0003]** There is a need for TPO formulations with improved flow, but which maintain the same level of stiffness and toughness as conventional TPO formulations. Elastomers, and formulations containing the same, are described in the following references: WO2017/049064. US6136937 and US5925703. However, there remains a need for the "improved flow" TPO formulations discussed above. This need has been met by the following composition.

20 SUMMARY OF THE INVENTION

[0004] A composition comprising the following:

- 25 A) coated polymer particles, and wherein the polymer particles are formed from a first composition comprising an ethylene-based polymer that comprises the following properties: a density from 0.854 to 0.860 g/cc, and a melt index (I2) from 4.0 to 15.0 g/10 min; and

wherein the polymer particles comprise a coating on at least a portion of the total surface of the polymer particles, and

- 30 wherein the coating is formed from a powder composition comprising at least one inorganic powder, and at least one organic powder selected from a metal stearate and/or a polymer powder, and wherein the weight ratio of the total amount of the inorganic powder to the total amount of the organic powder is from 3.0 to 50.0;

- 35 B) optionally, a propylene-based polymer.

BRIEF DESCRIPTION OF THE DRAWINGS

- 40 **[0005]** Figure 1 depicts the steep angle glass funnel for the flowability test.

DETAILED DESCRIPTION

- [0006]** The inventive compositions can be used in TPO formulations that can be manufactured economically, and which have an improved overall balance of flow, stiffness, and toughness.

- 45 **[0007]** A composition comprising the following:

- A) coated polymer particles, and wherein the polymer particles are formed from a first composition comprising an ethylene-based polymer that comprises the following properties: a density from 0.854 to 0.860 g/cc, and a melt index (I2) from 4.0 to 15.0 g/10 min; and

50 wherein the polymer particles comprise a coating on at least a portion of the total surface of the polymer particles, and

- 55 wherein the coating is formed from a powder composition comprising at least one inorganic powder, and at least one organic powder selected from a metal stearate and/or a polymer powder, and wherein the weight ratio of the total amount of the inorganic powder to the total amount of the organic powder is from 3.0 to 50.0;

- B) optionally, a propylene-based polymer.

[0008] An inventive composition may comprise a combination of two or more embodiments described herein.

[0009] Coated polymer particles comprise polymer particles and a powder composition. The coated particles may also comprise an oil (for example, a silicone oil), which is typically applied to the surface of the polymer particles, before the powder composition is applied to the surface of the particles.

[0010] In one embodiment, the composition comprises the propylene-based polymer of component B.

[0011] In one embodiment, the propylene-based polymer of component B has a MFR from 20 to 120 g/10 min, or from 30 to 110 g/10 min, or from 40 to 100 g/10 min, from 50 to 90 g/10 min, from 60 to 80 g/10 min, from 60 to 70 g/10 min. In a further embodiment, the propylene-based polymer is a polypropylene homopolymer.

[0012] In one embodiment, the propylene-based polymer of component B has a density from 0.880 to 0.920 g/cc, or from 0.885 to 0.915 g/cc, or from 0.890 to 0.910 g/cc, or from 0.895 to 0.905 g/cc. In a further embodiment, the propylene-based polymer is a polypropylene homopolymer.

[0013] In one embodiment, the propylene-based polymer of component B has a MFR from 20 to 120 g/10 min, or from 30 to 110 g/10 min, or from 40 to 100 g/10 min, from 50 to 90 g/10 min, from 60 to 80 g/10 min, from 60 to 70 g/10 min. and a density from 0.880 to 0.920 g/cc, or from 0.885 to 0.915 g/cc, or from 0.890 to 0.910 g/cc, or from 0.895 to 0.905 g/cc. In a further embodiment, the propylene-based polymer is a polypropylene homopolymer.

[0014] In one embodiment, the composition has a MFR ≥ 30 g/10 min, or MFR ≥ 35 g/10 min. In one embodiment, the composition has a MFR ≤ 100 g/10 min, or MFR ≤ 90 g/10 min, or MFR ≤ 80 g/10 min, or MFR ≤ 70 g/10 min, or MFR ≤ 60 g/10 min.

[0015] In one embodiment, the composition has a MFR from 30 to 60 g/10 min, or from 30 to 55 g/10 min, or from 30 to 50 g/10 min. In one embodiment, the composition has a MFR from 35 to 60 g/10 min, or from 35 to 55 g/10 min, or from 35 to 50 g/10 min.

[0016] In one embodiment, the composition comprises ≥ 50 wt% component B, and ≤ 50 wt% component A, and wherein each wt% based on the weight of the composition. In one embodiment, the composition comprises ≥ 55 wt% component B, and ≤ 45 wt% component A, and wherein each wt% based on the weight of the composition. In one embodiment, the composition comprises ≥ 58 wt% component B, and ≤ 40 wt% component A, and wherein each wt% based on the weight of the composition. In one embodiment, the composition comprises ≥ 60 wt% component B, and ≤ 35 wt% component A, and wherein each wt% based on the weight of the composition.

[0017] In one embodiment, the composition has a "Dart at -10°C , % Ductility" from 50 to 100, or from 60 to 100, or from 70 to 100, or from 80 to 100, or from 90 to 100, or from 95 to 100.

[0018] In one embodiment, the composition has a "Dart at -20°C , % Ductility" from 50 to 100, or from 60 to 100, or from 70 to 100, or from 80 to 100, or from 90 to 100, or from 95 to 100.

[0019] In one embodiment, the composition has a "Dart at -30°C , % Ductility" from 30 to 90, or from 40 to 90, or from 50 to 90, or from 60 to 90, or from 70 to 90, or from 80 to 90.

[0020] In one embodiment, the composition has an "Izod strength at 23°C , kJ/m^2 " from 20 to 50, or from 25 to 45.

[0021] In one embodiment, the composition has an "Izod strength at 0°C , kJ/m^2 " from 9 to 40, or from 9 to 35.

[0022] In one embodiment, the composition has a "Flexural Modulus, kpsi" from 160,000 to 240,000 kpsi, or from 170,000 to 220,000 kpsi.

[0023] In one embodiment, for component A, the first composition comprises ≥ 95 wt%, or ≥ 96 wt%, or ≥ 97 wt%, or ≥ 98 wt%, or ≥ 99 wt% of the ethylene-based polymer, based on the weight of the first composition.

[0024] In one embodiment, for component A, the ethylene-based polymer is an ethylene/alpha-olefin interpolpolymer, and further an ethylene/alpha-olefin copolymer.

[0025] In one embodiment, for component A, the organic powder is a metal stearate, and further a calcium stearate or a zinc stearate, and further a calcium stearate.

[0026] In one embodiment, for component A, the inorganic powder is selected from the group consisting of the following: talc, mica, calcium carbonate, finely divided silica, fumed silica, quartz, and combinations thereof. In one embodiment, for component A, the inorganic powder is selected from the group consisting of the following: talc, mica, finely divided silica, fumed silica, and combinations thereof. In one embodiment, for component A, the inorganic powder is talc.

[0027] In one embodiment, for component A, the coated polymer particles further comprise a binder. In a further embodiment, the binder is a silicone oil (silicone fluid).

[0028] In one embodiment, the coated polymer particles have a flowability, after 12 weeks at 37°C , ≥ 200 g/s, or ≥ 210 g/s.

[0029] In one embodiment, the coated polymer particles have an Unconfined Yield Strength (37°C , 6 weeks), ≤ 400 lb/ft², or ≤ 380 lb/ft², or ≤ 360 lb/ft².

[0030] Also provided is an article comprising at least one component formed from the composition of any one of the previous claims. In one embodiment, the article is an injection molded article. In one embodiment, the article is an automotive part.

[0031] An inventive composition may comprise a combination of two or more embodiments described herein.

[0032] Component A may comprise a combination of two or more embodiments described herein. Component B may

comprise a combination of two or more embodiments described herein.

Composition

5 **[0033]** In one embodiment, the composition comprises one or more additives. Additives include, but are not limited to, antioxidants, ultraviolet absorbers, antistatic agents, colorants (e.g., titanium dioxide, carbon black and pigments), viscosity modifiers, anti-block agents, release agents, coefficient of friction (COF) modifiers, thermal stabilizers, odor modifiers /absorbents, and any combination thereof.

10 **[0034]** In one embodiment, the composition comprises a filler. In a further embodiment, the filler is a mineral filler (for example, talc). In one embodiment, the composition comprises from 1 to 40 wt%, or from 2 to 35 wt%, or from 3 to 30 wt%, or from 4 to 25 wt%, or from 5 to 20 wt% of the filler (for example talc), based on the weight of the composition.

15 **[0035]** In one embodiment, the composition comprises a filler. In a further embodiment, the filler is a mineral filler (for example, talc). In one embodiment, the composition comprises from 4 to 40 wt%, or from 5 to 35 wt%, or from 6 to 30 wt%, or from 7 to 25 wt%, or from 8 to 20 wt%, or from 8 to 15 wt%, or from 8 to 12 wt% of the filler (for example talc), based on the weight of the composition.

[0036] In one embodiment, the polymer composition comprises at least one other thermoplastic polymer. In a further embodiment, the at least one other thermoplastic polymer is selected from the group consisting of polystyrene homopolymer, or a polyethylene homopolymer (for example, A HDPE).

20 **[0037]** In one embodiment, the propylene-based polymer of component B is selected from a polypropylene homopolymer, a propylene/alpha-olefin copolymer, a propylene/ethylene copolymer, or an impact modified propylene-based polymer. In one embodiment, the propylene-based polymer of component B is selected from a polypropylene homopolymer, a propylene/alpha-olefin copolymer, or a propylene/ethylene copolymer. In one embodiment, the propylene-based polymer of component B is selected from a polypropylene homopolymer or a propylene/ethylene copolymer. In one embodiment, the propylene-based polymer of component B is a polypropylene homopolymer.

25 **[0038]** In one embodiment, the propylene-based polymer of component B has a MFR from 1 to 150 g/10 min, or from 5 to 130 g/10 min or from 10 to 120 g/10 min, or from 20 to 100 g/10 min, or from 30 to 80 g/10 min, or from 40 to 70 g/10 min, or from 50 to 60 g/10 min (230°C, 2.16 kg). In a further embodiment, the propylene-based polymer is a polypropylene homopolymer.

30 *Coated Polymers Particles*

[0039] In one embodiment, the polymer particles are pellets, beads, flakes, or powders. The D50 value of the polymer particles is greater than the D50 value of the powder composition, and preferably the D50 value of the polymer particles is $\geq 2x$, further $\geq 5x$, further $\geq 10x$, the D50 value of the powder composition, as described herein. Typical polymer particles are generally substantially platelet, spherical, cylindrical, or rod shape. While the cross-sectional area may vary, depending upon the polymer, preferably, the cross-sectional area of a polymer particle is from 3×10^{-3} square inch (1.93×10^{-2} square centimeters) to 0.2 square inch (1.29 square centimeters); that is from 1/16 inch (0.15875 cm) to 1/2 inch (1.27 cm) in diameter, if the cross-section is, for example, circular. In one embodiment, the particles have a cross-sectional area from 0.01 square inch (6.45×10^{-2} square centimeters) to 0.05 square inch (0.322 square centimeters); that is from 0.125 inch (0.3175 cm) to 0.375 inch (0.9525cm) in diameter, if, for example, the cross-section is circular. In one embodiment, the particles are from 0.25 cm to 0.40 cm in diameter.

40 **[0040]** As discussed above, the polymer particles are in the form of particulate solids, ranging in size from powders to pellets. Pellets are particulate solids, and are generally, but not exclusively, formed through extrusion and pelletization processes, with a typical average particle size (average of the longest dimension) greater than 2 mm, typically from 2 mm to 10 mm, further from 2 mm to 6 mm, and further from 2 mm to 4 mm. Micropellets typically have an average particle size less than that of a standard pellet, yet greater than those average particle sizes produced from general commercial die capabilities. The average particle size of micropellets typically range from 200 microns to 2 mm. The micropellets generally exhibit a semi-spheroidal shape.

50 *First Composition*

[0041] In one embodiment, the polymer particles are formed from a first composition comprising an ethylene-based polymer, and further an ethylene-based interpolmer, and further an ethylene-based copolymer. Suitable ethylene-based interpolymers or copolymers, include, but are not limited to, ethylene/alpha-olefin interpolymers or copolymers, for example, ethylene/ C_3-C_8 alpha-olefin interpolymers or copolymers. Preferable alpha-olefins are those having from 3 to 8 carbon atoms, such as propylene, 1-butene, 1-pentene, 1-hexene, 1-heptene, and 1-octene.

[0042] In one embodiment, the ethylene-based polymer is an ethylene/ α -olefin/diene terpolymer, for example ethylene/propylene/diene terpolymer.

[0043] In one embodiment, the ethylene-based polymer has a density from 0.854 to 0.860 g/cc, or 0.855 to 0.860 g/cc, or 0.856 to 0.860 g/cc, or 0.857 to 0.860 g/cc, or from 0.858 to 0.860 g/cc (1 cc = 1 cm³). In a further embodiment, the ethylene-based polymer is an ethylene-based interpolmer, and further an ethylene/a-olefin interpolmer, and or an ethylene/a-olefin copolymer. Preferable alpha-olefins are those having from 3 to 8 carbon atoms, such as propylene, 1-butene, 1-pentene, 1-hexene, 1-heptene, and 1-octene.

[0044] In one embodiment, the ethylene-based polymer has a melt index (12, 190°C and 2.16 kg) from 4.0 to 14.5 g/10 min, or from 4.0 to 14.0 g/10 min or from 4.5 to 13.5 g/10 min. In a further embodiment, the ethylene-based polymer is an ethylene-based interpolmer, and further an ethylene/a-olefin copolymer. Preferable alpha-olefins are those having from 3 to 8 carbon atoms, such as propylene, 1-butene, 1-pentene, 1-hexene, 1-heptene, and 1-octene.

[0045] In one embodiment, the ethylene-based polymer has I10/I2 ratio from 6.8 to 7.7, or from 7.0 to 7.5. In a further embodiment, the ethylene-based polymer is an ethylene-based interpolmer, and further an ethylene/a-olefin copolymer. Preferable alpha-olefins are those having from 3 to 8 carbon atoms, such as propylene, 1-butene, 1-pentene, 1-hexene, 1-heptene, and 1-octene.

[0046] In one embodiment, the ethylene-based polymer has a number average molecular weight (Mn) from 30,000 to 44,000 g/mole, or from 32,000 to 42,000 g/mole. In a further embodiment, the ethylene-based polymer is an ethylene-based interpolmer, and further an ethylene/a-olefin copolymer. Preferable alpha-olefins are those having from 3 to 8 carbon atoms, such as propylene, 1-butene, 1-pentene, 1-hexene, 1-heptene, and 1-octene.

[0047] In one embodiment, the ethylene-based polymer has a molecular weight distribution (MWD), from 1.7 to 3.5, or from 1.8 to 3.2, or from 1.8 to 3.0, or from 1.8 to 2.8. In a further embodiment, the ethylene-based polymer is an ethylene-based interpolmer, and further an ethylene/a-olefin copolymer. Preferable alpha-olefins are those having from 3 to 8 carbon atoms, such as propylene, 1-butene, 1-pentene, 1-hexene, 1-heptene, and 1-octene.

[0048] In one embodiment, the ethylene-based polymer has a melting temperature (Tm) from 35 to 55°C, or from 40 to 50°C, or from 42 to 48°C. In a further embodiment, the ethylene-based polymer is an ethylene-based interpolmer, and further an ethylene/a-olefin copolymer. Preferable alpha-olefins are those having from 3 to 8 carbon atoms, such as propylene, 1-butene, 1-pentene, 1-hexene, 1-heptene, and 1-octene.

[0049] In one embodiment, the ethylene-based polymer has a crystallization temperature (Tc) from 15 to 35°C, or from 20 to 30°C, or from 22 to 28°C. In a further embodiment, the ethylene-based polymer is an ethylene-based interpolmer, and further an ethylene/a-olefin copolymer. Preferable alpha-olefins are those having from 3 to 8 carbon atoms, such as propylene, 1-butene, 1-pentene, 1-hexene, 1-heptene, and 1-octene.

[0050] In one embodiment, the ethylene-based polymer has a melting temperature (Tg) from -65 to -55°C, or from -64 to -60°C. In a further embodiment, the ethylene-based polymer is an ethylene-based interpolmer, and further an ethylene/a-olefin copolymer. Preferable alpha-olefins are those having from 3 to 8 carbon atoms, such as propylene, 1-butene, 1-pentene, 1-hexene, 1-heptene, and 1-octene.

[0051] In one embodiment, the ethylene-based polymer has a melt viscosity V0.1 (190°C) from 500 to 2500 Pa·s, or from 600 to 2000 Pa·s. In a further embodiment, the ethylene-based polymer is an ethylene-based interpolmer, and further an ethylene/a-olefin copolymer. Preferable alpha-olefins are those having from 3 to 8 carbon atoms, such as propylene, 1-butene, 1-pentene, 1-hexene, 1-heptene, and 1-octene.

[0052] In one embodiment, the ethylene-based polymer has a melt viscosity ratio V0.1/V100 (each viscosity at 190°C) from 1.5 to 3.0, or from 1.5 to 2.8. In a further embodiment, the ethylene-based polymer is an ethylene-based interpolmer, and further an ethylene/a-olefin copolymer. Preferable alpha-olefins are those having from 3 to 8 carbon atoms, such as propylene, 1-butene, 1-pentene, 1-hexene, 1-heptene, and 1-octene.

[0053] An ethylene-based polymer may comprise a combination of two or more embodiments described herein. An ethylene-based interpolmer may comprise a combination of two or more embodiments described herein. An ethylene-based copolymer may comprise a combination of two or more embodiments described herein.

[0054] In one embodiment, the first composition comprises ≥ 90 wt%, or ≥ 91 wt%, or ≥ 92 wt%, or ≥ 93 wt%, or ≥ 94 wt%, or ≥ 95 wt%, or ≥ 96 wt%, or ≥ 97 wt%, or ≥ 98 wt%, or ≥ 99 wt% of the ethylene-based polymer, based on the weight of the first composition. In a further embodiment, the ethylene-based polymer is an ethylene/a-olefin interpolmer, and further an ethylene/a-olefin copolymer. In a further embodiment, the α-olefin is selected from the group consisting of propylene, 1-butene, 1-pentene, 1-hexene, 1-heptene, and 1-octene.

Powder Composition

[0055] Inorganic powders include, but are not limited to, talc, mica, calcium carbonate, quartz, finely divided or fumed silica, alumina trihydrate, marble dust, cement dust, clay, feldspar, alumina, magnesium oxide, magnesium hydroxide, antimony oxide, zinc oxide, barium sulfate, aluminum silicate, calcium silicate, titanium dioxide, titanates, and chalk.

[0056] In one embodiment, the inorganic powder is selected from the group consisting of the following: talc, mica, calcium carbonate, finely divided silica, fumed silica, quartz, and combinations thereof. In one embodiment, the inorganic powder is selected from the group consisting of the following: talc, mica, calcium carbonate, and combinations thereof;

or talc, mica, or combinations thereof. In one embodiment, the inorganic powder is talc.

[0057] In one embodiment, the inorganic powder has D50 value ≤ 100 microns, or ≤ 50 microns, or ≤ 20 microns. In one embodiment, the inorganic powder has D50 value ≥ 0.5 microns, or ≥ 1 microns, or ≥ 2 microns. In a further embodiment, D50 value of the polymer particles is $\geq 2x$, further $\geq 5x$, further $\geq 10x$, the D50 value of the powder composition.

[0058] Organic powders, useful for the present invention, include metal stearates, polymer powders and combinations thereof. Examples of polymer powders include powdered ethylene-based polymers (for example powder polyethylene homopolymers), powdered polystyrene and powdered propylene-based polymers (for example, powdered polypropylene homopolymers). In one embodiment, the organic powder is a metal stearate, and further calcium stearate or zinc stearate, and further calcium stearate.

[0059] In one embodiment, the organic powder has D50 value ≤ 100 microns, or ≤ 50 microns, or ≤ 20 microns. In one embodiment, the inorganic powder has D50 value ≥ 0.5 microns, or ≥ 1 microns, or ≥ 2 microns. In a further embodiment, D50 value of the polymer particles is $\geq 2x$, further $\geq 5x$, further $\geq 10x$, the D50 value of the powder composition.

[0060] In one embodiment, the powder composition has D50 value ≤ 100 microns, or ≤ 50 microns, or ≤ 20 microns. In one embodiment, the inorganic powder has D50 value ≥ 0.5 microns, or ≥ 1 microns, or ≥ 2 microns. In a further embodiment, D50 value of the polymer particles is $\geq 2x$, further $\geq 5x$, further $\geq 10x$, the D50 value of the powder composition.

[0061] Generally, the amount of powdered composition is ≤ 5.0 weight percent, or ≤ 4.0 weight percent, or ≤ 3.0 weight percent, based on the total weight of the coated polymer particles. In one embodiment, the amount of powder composition is ≥ 0.05 weight percent, or ≥ 0.10 weight percent, or ≥ 0.20 weight percent, based on the total weight of the coated polymer particles. In one embodiment, the amount of powder composition is ≥ 0.25 weight percent, or ≥ 0.30 weight percent, or ≥ 0.35 weight percent, or ≥ 0.40 weight percent, or ≥ 0.45 weight percent, based on the total weight of the coated polymer particles.

[0062] In one embodiment, the coated polymer particles comprises from 0.10 to 3.00 weight percent, or from 0.20 to 2.50 weight percent, or from 0.30 to 2.00 weight percent, or from 0.30 to 1.50 weight percent, or from 0.40 to 1.00 weight percent of the powder composition, based on the weight of the coated polymer particles.

[0063] In one embodiment, the weight ratio of the total amount of inorganic powder to the total amount organic powder is from 3.0 to 45.0, or from 3.0 to 40.0, or from 3.0 to 35.0, or from 3.0 to 25.0, or from 3.0 to 20.0. In one embodiment, the weight ratio of the total amount of inorganic powder to the total amount organic powder is from 3.0 to 15.0, or from 3.0 to 12.0, or from 3.0 to 9.0, or from 3.0 to 7.0, or from 3.0 to 5.0.

[0064] In one embodiment, the powder composition coats on at least 50%, or at least 60%, or at least 70%, or at least 80%, or at least 90%, or at least 95% of the total surface of the polymer particle.

[0065] The total surface area of the polymer particles can be calculated from the average pellet dimensions of the particles (for example, pellets) and the weight of the particles per gram; or by a BET analysis (for example, using a BET instrument available from Micromeritics ASAP 2420). The amount of surface area of the polymer particles that has been coated with a powder composition can be determined by visual inspection, typically with the use of a magnifying glass.

[0066] In one embodiment, the coated polymer particles comprise from 0.02 to 3.00 weight percent, or from 0.04 to 2.50 weight percent, or from 0.06 to 2.00 weight percent, or from 0.08 to 1.50 weight percent of the powder composition, based on the weight of the coated polymer particles. In one embodiment, the coated polymer particles comprise from 0.10 to 1.60 weight percent, or from 0.20 to 1.40 weight percent, or from 0.30 to 1.20 weight percent, or from 0.40 to 1.00 weight percent, or from 0.60 to 0.80 weight percent of the powder composition, based on the weight of the coated polymer particles.

[0067] In one embodiment, the total amount of organic powder plus the total amount of inorganic powder comprise ≥ 90 wt%, or ≥ 91 wt%, or ≥ 92 wt%, or ≥ 93 wt%, or ≥ 94 wt%, or ≥ 95 wt%, or ≥ 96 wt%, or ≥ 97 wt%, or ≥ 98 wt%, or ≥ 99 wt% of the total weight of the powder composition.

Binder

[0068] Binders are those agents that hold or fix the powdered composition to the polymer particles, such that, at normal handling and shipping conditions, a majority amount of the powdered composition remains on the polymer particles.

[0069] In one embodiment, the composition further comprises a binder. In one embodiment, at least a portion of the binder coats at least a portion of the total surface of the polymer particles, to form a binder coating, and such that the binder coating is located between the polymer particles and the coating formed from the powder composition.

[0070] The type of binder, and its amount, will vary, depending upon the powder composition, polymer, and other components of the composition. The preferred binders are those, in which the viscosity is not so high, such that the binder is difficult to apply. On the other hand, the viscosity should not be so low, that excessive dust from the powder composition results. Generally, oils with a viscosity in the range from 50 to 60,000 centistokes, or from 100 to 10,000 centistokes, at 25°C are useful.

[0071] In one embodiment, the binder is selected from the group consisting of the following: silicone oils (or silicone fluids); polyether polyols; aliphatic hydrocarbon oils, such as mineral oil; and alkanes or alkenes having from seven to

18 carbon atoms, and wherein one or more carbons are optionally substituted with OH, CO₂H, or esters. Binders also include natural oils, such as castor, corn, cottonseed, olive, rapeseed, soybean, sunflower, other vegetable and animal oils, as well as, naphthenic, paraffinic, aromatic, and silicone oils (or silicone fluids), and esters, alcohols, and acids of said oils or their emulsions. Substances, which are often employed as plasticizers or tackifiers, may also be useful as a binder.

[0072] In one embodiment, the binder is a siloxane polymer having the structural formula -Si(R¹R¹)-O- wherein the R¹ groups are C₁-C₁₈ hydrocarbyl groups. Particularly preferable hydrocarbyl groups include aliphatic and aromatic groups. A particularly preferable group for R¹ is a methyl group. These materials are commercially available from Dow Corning.

[0073] In one embodiment, the binder is selected from the group consisting of the following: polyether polyols; aliphatic hydrocarbon oils; alkanes having from 7 to 18 carbon atoms, and optionally substituted with OH, CO₂H, or esters; alkenes having from 7 to 18 carbon atoms, and optionally substituted with OH, CO₂H, or esters; natural oils; naphthenic oils; paraffinic oils; aromatic oils; silicone oils (or silicone fluids); and combinations thereof. In one embodiment, the binder is a silicone oil (or silicone fluid).

[0074] In one embodiment, the composition comprises from 0.010 to 0.050 weight percent, or from 0.015 to 0.04 weight percent, or from 0.020 to 0.035 weight percent of the binder, based on the total weight of the coated polymer particles.

[0075] In one embodiment, the binder has a viscosity, at 25°C, from 200 to 2000 cSt, or from 250 to 1800 cSt, or from 300 to 1500 cSt, or from 300 to 1000 cSt, or from 300 to 500 cSt.

[0076] The binder may be employed in purified form, in solutions, emulsions or in mixtures. Mixing of the powder composition and the polymer particles should be kept to a minimum, especially when using non-thermoplastic binders. Too much mixing may result in surface segregation, resulting in non-homogeneous layers.

Coating Processes

[0077] Examples of blending equipment/processes include any mechanical means of moving the polymer particles, such as, for example, a simple tumbling of a jar, or blending in a conical rotating vessel, ribbon blender, drum tumbler, paddle blender, agglomeration pan and fluidized bed operations. In one embodiment, the coating process includes the use of a pneumatic conveyor, under air or inert gas. Moderate stirring, shaking, or even a short distance of conveying in a screw conveyor, can be sufficient for such adequate distribution of the agent or agents. The type of contacting employed, may be the same, or different, for the binder and the powder composition, if the polymer particles are contacted with the binding agent and powder composition at separate times.

[0078] The contacting of the agents (binder and/or powder composition) and the polymer particles can be conducted at any temperature, at which an agent does not evaporate, solidify, become too viscous, or significantly react with the polymer particles. Such temperatures often vary, depending upon the components of the coated polymer particles, but typically are from -10°C to 150°C, further from 0°C to 60°C, or from 5°C to 35°C.

[0079] In some situations, it may not be desirable to employ a binder. Such situations include, for example, when the binder will interfere with the end-use application of the polymer particles. Also, in some situations, it may be desirable to minimize the amount of powder composition. In this manner, the unassociated environmental dust (from the powder composition) can be minimized. It also advantageous to reduce the amount of powder composition, if, for example, films are being made from the final composition, and optical properties are important.

[0080] The compositions that do not require a binder, employ the same types of polymer particles and powder compositions as discussed above. In one embodiment, the amount of powder composition can be ≤ 3.0, or ≤ 2.0, or ≤ 1.5, or ≤ 1.0, or ≤ 0.5, or ≤ 0.3 weight percent, based on the weight of the coated polymer particles. Correspondingly, the effective amount of powder composition is typically ≥ 0.08, or ≥ 0.10, or ≥ 0.15 weight percent, based on the weight of the coated polymer particles.

[0081] In one embodiment, the powder composition is mechanically adhered to the polymer particles. In one embodiment, the process comprises mechanically adhering an effective amount of powder composition to more than about 40 percent, further more than about 50 percent, further more than about 60 percent of the total surface of the polymer particles. In this manner, polymer particles, which have an effective amount of adhered powder composition, will serve as a barrier to prevent large numbers of polymer particles that do not have an effective amount of adhered powder composition, from agglomerating or blocking. The depth to which the particle is embedded, and the amount of powder composition, will determine the thickness of the powder composition layer on the polymer particles. This thickness will, of course, also vary, depending upon the type of polymer, the size of the particles, the type of powder composition, and the desired amount of powder composition, as determined by unconfined yield strength. These coating features can be measured, for example, by scanning electron microscopy (SEM).

[0082] The powder composition can be mechanically adhered to the polymer particles in any way. This may be accomplished simultaneously with, or subsequent to, the particle formation. One way, in which this can be accomplished,

is, for example, by impact coating the polymer particles, such that the desired amount of powder composition is adhered to the desired amount of polymer particles. This can be facilitated by the use of steam.

[0083] Another way to mechanically adhere powder composition is to soften the polymer particles, either before, simultaneously with, or after, contacting the polymer particles with the powder composition. The softening may be done in any manner, so long as the surface is softened sufficiently to adhere an effective amount of the powder composition, to the exterior surface of the polymer particles. However, the polymer particles must not be softened, so much, that there are no longer discrete particles, that is, the polymer particles should not become melted or adhered together. In general, one can usually observe (for example, visual observation) the surface of the polymer particles becoming slightly tacky, and ready for coating. The point at which this occurs, will vary by polymer and the type of powder composition employed. The choice of softening method will vary, depending upon the type of polymer, type of powder composition, and the desired results. Generally, heating by hot air, radiation (UV, IR, visible), contact heating, or a combination thereof, may be employed. In general, one can usually observe when the particles have been heated sufficiently, because the surface of the polymer particles will become slightly tacky, and ready for coating. As discussed, the point, at which this occurs, will vary by the type of polymer, the size of the particles, and the type of powder composition employed.

Articles

[0084] The invention also provides an article comprising at least one component formed from an inventive composition. Articles include, but are not limited to, injection molded articles, thermoformed articles and foams. Additional articles include medical devices (e.g., pressure cuffs and stabilization devices); inflatable articles (e.g., toys, watercraft, cushioning and furniture), sheets (e.g., awnings, banners, signs, tents, tarpaulins, and liners for pools, ponds or landfills), book bindings, carriers (e.g., sporting bags and backpacks), and automotive parts. Preferred articles include automotive parts.

DEFINITIONS

[0085] Unless stated to the contrary, implicit from the context, or customary in the art, all parts and percents are based on weight, and all test methods are current as of the filing date of this disclosure.

[0086] The term "composition," as used herein, includes a mixture of materials, which comprise the composition, as well as reaction products and decomposition products formed from the materials of the composition. Any reaction product or decomposition product is typically present in trace or residual amounts.

[0087] The term "polymer," as used herein, refers to a polymeric compound prepared by polymerizing monomers, whether of the same or a different type. The generic term polymer thus embraces the term homopolymer (employed to refer to polymers prepared from only one type of monomer, with the understanding that trace amounts of impurities can be incorporated into the polymer structure) and the term interpolymer as defined hereinafter. Trace amounts of impurities, such as catalyst residues, may be incorporated into and/or within a polymer.

[0088] The term "interpolymer," as used herein, refers to polymers prepared by the polymerization of at least two different types of monomers. The term interpolymer thus includes the term copolymer (employed to refer to polymers prepared from two different types of monomers) and polymers prepared from more than two different types of monomers.

[0089] The term, "olefin-based polymer," as used herein, refers to a polymer that comprises, in polymerized form, 50 wt% or a majority amount of olefin monomer, for example ethylene or propylene, (based on the weight of the polymer), and optionally may comprise one or more comonomers.

[0090] The term, "olefin-based interpolymer," as used herein, refers to an interpolymer that comprises, in polymerized form, 50 wt% or a majority amount of olefin monomer, for example ethylene or propylene, (based on the weight of the interpolymer), and one or more comonomers.

[0091] The term, "olefin-based copolymer," as used herein, refers to a copolymer that comprises, in polymerized form, 50 wt% or a majority amount of olefin monomer, for example ethylene or propylene, (based on the weight of the copolymer), and one comonomer, as the only two monomer types.

[0092] The term, "ethylene-based polymer," as used herein, refers to a polymer that comprises, in polymerized form, 50 wt% or a majority amount of ethylene monomer (based on the weight of the polymer), and optionally may comprise one or more comonomers.

[0093] The term, "ethylene-based interpolymer," as used herein, refers to an interpolymer that comprises, in polymerized form, 50 wt% or a majority amount of ethylene monomer (based on the weight of the interpolymer), and one or more comonomers.

[0094] The term, "ethylene-based copolymer," as used herein, refers to a copolymer that comprises, in polymerized form, 50 wt% or a majority amount of ethylene monomer (based on the weight of the copolymer), and one comonomer, as the only two monomer types.

[0095] The term "ethylene/ α -olefin interpolymer," as used herein, refers to an interpolymer that comprises, in polym-

erized form, 50 wt% or a majority amount of ethylene monomer (based on the weight of the interpolymer), and at least one α -olefin.

[0096] The term, "ethylene/ α -olefin copolymer," as used herein, refers to a copolymer that comprises, in polymerized form, 50 wt% or a majority amount of ethylene monomer (based on the weight of the copolymer), and an α -olefin, as the only two monomer types.

[0097] The term "ethylene/ α -olefin/diene interpolymer," as used herein, refers to an interpolymer that comprises, in polymerized form, ethylene monomer, an α -olefin, and a diene. Typically, the "ethylene/ α -olefin/diene interpolymer," comprises, in polymerized form, a majority amount of ethylene monomer, based on the weight of the interpolymer.

[0098] The term, "propylene-based polymer," as used herein, refers to a polymer that comprises, in polymerized form, a majority amount of propylene monomer (based on the weight of the polymer), and optionally may comprise one or more comonomers.

[0099] The term, "propylene-based interpolymer," as used herein, refers to an interpolymer that comprises, in polymerized form, a majority amount of propylene monomer (based on the weight of the interpolymer), and one or more comonomers.

[0100] The term, "propylene-based copolymer," as used herein, refers to a copolymer that comprises, in polymerized form, a majority amount of propylene monomer (based on the weight of the copolymer), and one comonomer, as the only two monomer types.

[0101] The term "propylene/ α -olefin interpolymer," as used herein, refers to an interpolymer that comprises, in polymerized form, a majority amount of propylene monomer (based on the weight of the interpolymer), and at least one α -olefin.

[0102] The term, "propylene/ α -olefin copolymer," as used herein, refers to a copolymer that comprises, in polymerized form, a majority amount of propylene monomer (based on the weight of the copolymer), and an α -olefin, as the only two monomer types.

[0103] The term "propylene/ethylene interpolymer," as used herein, refers to an interpolymer that comprises, in polymerized form, a majority amount of propylene monomer (based on the weight of the interpolymer), and at least ethylene.

[0104] The term, "propylene/ethylene copolymer," as used herein, refers to a copolymer that comprises, in polymerized form, a majority amount of propylene monomer (based on the weight of the copolymer), and ethylene, as the only two monomer types.

[0105] The phrase "coating on at least a portion of the total surface of the polymer particles," as used herein, refers to a surface coating on $\geq 10\%$ of the total surface area of the particles. The total surface area of the particles can be calculated from the average pellet dimensions of the particles (for example, pellets) and the weight of the particles per gram; or by a BET analysis (for example, using a BET instrument available from Micromeritics ASAP 2420). The amount of surface area of the polymer particles that has been coated with a powder composition can be determined by visual inspection, typically with the use of a magnifying glass. In one embodiment, the powder composition coats $\geq 20\%$, or $\geq 30\%$, or $\geq 40\%$, or $\geq 50\%$, or $\geq 60\%$, or $\geq 70\%$, or $\geq 80\%$, or $\geq 90\%$, or $\geq 95\%$ of the total surface area of the particles.

[0106] The term, "inorganic powder," as used herein, refers to a chemical compound that does not contain the element carbon, with the exception of oxides of carbon, for example, calcium carbonate, and sulfides of carbon, for example, carbon disulfide.

[0107] The term, "organic powder," as used herein, refers to a chemical compound that contains the element carbon, with the exception of oxides of carbon, for example, calcium carbonate, and sulfides of carbon, for example, carbon disulfide.

[0108] The term "polymer powder," as used herein, in reference to a powder composition, refers to fine polymer particles that have a D50 value less than the D50 value of the polymer particles. Typically, the polymer powder has a D50 value ≤ 200 microns, and further a D50 value ≤ 150 microns, further a D50 value ≤ 100 microns.

[0109] As used herein "mechanically adhered," as used herein, refers to the physically bound particles of the powder composition onto the polymer particles; for example the particles of the powder composition are embedded into the surfaces of the polymer particles.

[0110] The terms "comprising," "including," "having," and their derivatives, are not intended to exclude the presence of any additional component, step or procedure, whether or not the same is specifically disclosed. In order to avoid any doubt, all compositions claimed through use of the term "comprising" may include any additional additive, adjuvant, or compound, whether polymeric or otherwise, unless stated to the contrary. In contrast, the term, "consisting essentially of" excludes from the scope of any succeeding recitation any other component, step or procedure, excepting those that are not essential to operability. The term "consisting of" excludes any component, step or procedure not specifically delineated or listed.

TEST METHODS

[0111] **Density** is measured according to ASTM D792 (ASTM D4703, A1 Proc C, test within 1 hour).

[0112] **Melt index** (I_2) of an ethylene-based polymer is measured at 190°C under a load of 2.16 kg, according to ASTM

D-1238. Melt index (I_5) is measured at 190°C under a load of 5 kg, according to ASTM D-1238. Melt index (I_{10}) is measured at 190°C under a load of 10 kg, according to ASTM D-1238. Melt index (I_{21}) is measured at 190°C under a load of 21.6 kg, according to ASTM D-1238. The melt flow rate (MFR) of an propylene-based polymer is measured in accordance with ASTM D-1238, condition 230°C/2.16 kg. The melt flow rate (MFR) of the TPO compounds was measured

5 on the dried pellets according to ASTM D-1238, condition 230°C/2.16 kg.
[0113] Differential Scanning Calorimetry (DSC): Differential Scanning Calorimetry (DSC) was performed using a TA Instruments Discovery DSC, equipped with an RCS cooling unit and an autosampler. A nitrogen purge gas flow of 50 mL/min was used. The sample was pressed into a thin film, at 190°C, on a Carver Hydraulic press, at a pressure of 20,000 psi, and for a time of 4 minutes, followed by cooling at a temperature of 23 °C, at a pressure of 20,000 psi for a time of 1 minute. About 3 — 10 mg of material was cut from the pressed film, weighed, placed in a light aluminum pan, and crimped shut. The thermal behavior of the samples was investigated using the following temperature profile: the sample was rapidly heated to 180°C, and held isothermally for 5 minutes. The sample was then cooled to -90°C, at 10°C/min, and held isothermally for 5 minutes. The sample was then heated to 150°C at 10°C/min. The cooling and second heating curves were used for analysis. The glass transition temperature (T_g), melting temperature (T_m), and heat of enthalpy (ΔH_m) were obtained from the second heat data. The crystallization temperature (T_c) was obtained from the first cool data. The T_g was determined using the half-height method. The T_m and T_c were determined as the peak of the melting endotherm and crystallization exotherm, respectively. The percent crystallinity is calculated by dividing the heat of fusion (H_f), determined from the second heat curve, by a theoretical heat of fusion of 292 J/g for PE (165 J/g, for PP), and multiplying this quantity by 100 (for example, % cryst. = ($H_f / 292 \text{ J/g}$) x 100 (for PE)).

20 **[0114] Dynamic Mechanical Spectroscopy (DMS) Rheology:** The rheology of the inventive and comparative copolymers was measured on an Advanced Rheometric Expansion System (ARES), equipped with "25 mm" stainless steel parallel plates. Constant temperature dynamic frequency sweeps, in the frequency range of 0.1 to 100 rad/s, were performed under nitrogen purge at 190°C. Samples approximately "25.4 mm in diameter" and "3.2 mm thick" were compression molded on a Carver hydraulic hot press at a temperature of 190°C, at a pressure of 20,000 psi, for a time of four minutes, followed by cooling at a temperature of 23°C, at a pressure of 20,000 psi, for a time of one minute. The sample was placed on the lower plate, and allowed to melt for five minutes. The plates were then closed to a gap of 2.0 mm, and the sample trimmed to "25 mm in diameter." The sample was allowed to equilibrate at 190°C for five minutes, before starting the test. The complex viscosity was measured at constant strain amplitude of 10%. Viscosity at 0.1 rad/s ($V_{0.1}$) and at 100 rad/s (V_{100}) are reported, along with the ratio ($V_{0.1}/V_{100}$) of the two viscosity values.

30 **[0115] Gel Permeation Chromatography (GPC):** A high temperature Gel Permeation Chromatography system (GPC IR) consisting of an Infra-red concentration detector (IR-5) from PolymerChar Inc (Valencia, Spain) was used for Molecular Weight (MW) and Molecular Weight Distribution (MWD) determination. The carrier solvent was 1,2,4-trichlorobenzene (TCB). The auto-sampler compartment was operated at 160°C, and the column compartment was operated at 150°C. The columns used were four Polymer Laboratories Mixed A LS, 20 micron columns. The chromatographic solvent (TCB) and the sample preparation solvent were from the same solvent source, with 250 ppm of butylated hydroxytoluene (BHT), and nitrogen sparged. The samples were prepared at a concentration of '2 mg/mL in TCB.' Polyethylene samples were gently shaken at 160°C for two hours. The injection volume was 200 μL , and the flow rate was 1.0 mL/minute.

35 **[0116]** Calibration of the GPC column set was performed with 21 narrow molecular weight distribution polystyrene standards. The molecular weights of the standards ranged from 580 to 8,400,000 g/mol, and were arranged in six "cocktail" mixtures, with at least a decade of separation between individual molecular weights.

40 **[0117]** The polystyrene standard peak molecular weights were converted to polyethylene molecular weights using the following equation (as described in Williams and Ward, J. Polym. Sci., Polym. Let., 6, 621 (1968)):

$$45 \quad M_{\text{polyethylene}} = A(M_{\text{polystyrene}})^B \quad (1),$$

here B has a value of 1.0, and the experimentally determined value of A is around 0.41. A third order polynomial was used to fit the respective polyethylene-equivalent calibration points, obtained from equation (1), to their observed elution volumes of polystyrene standards. Number, weight, and z-average molecular weights were calculated according to the following equations:

$$55 \quad \overline{Mn} = \frac{\sum_i w f_i}{\sum_i (w f_i / M_i)} \quad (2)$$

$$\overline{Mw} = \frac{\sum_i (Wf_i * M_i)}{\sum_i Wf_i} \quad (3)$$

$$\overline{Mz} = \frac{\sum_i (Wf_i * M_i^2)}{\sum_i (Wf_i * M_i)} \quad (4),$$

where, Wf_i is the weight fraction of the i -th component and M_i is the molecular weight of the i -th component. The MWD was expressed as the ratio of the weight average molecular weight (Mw) to the number average molecular weight (Mn).

[0118] The accurate A value was determined by adjusting A value in equation (1), until Mw calculated using equation (3), and the corresponding retention volume polynomial, agreed with the known Mw value of 120,000 g/mol of a standard linear polyethylene homopolymer reference.

Particle Size Distribution (D50, D10, D90)

[0119] The particle size distribution can be measured using a Beckman Coulter LS 13 320 Laser Diffraction Particle Size Analyzer, equipped with the universal liquid module. This instrument uses the principles of light scattering, where the angular pattern of light, scattered by the particles, is measured. This scattered light pattern is then fed to a deconvolution algorithm to obtain a size distribution. This equipment works on physics first principle, and therefore is not calibrated. The scattering pattern can be affected by the complex refractive index of particles, and by that of the surrounding medium, so for maximum accuracy, the complex index of refraction of the particles, and the suspending media, are taken into account by the model. The complex index of refraction consists of a real part and an imaginary part. The real part is characterized by the bending of light, as it propagates from one medium to another, and the imaginary, or complex part, represents the absorption coefficient of the material. The index of refraction used in the size distribution measurement was "1.46 + 0.05i" for calcium stearate, and "1.57 + 0.05" for talc. Guidelines for selection of index of refraction can be found in the LS 13 320 operation manual, provided by Beckman Coulter (Florida, USA).

[0120] The sample (particles) is suspended in isopropyl alcohol, and then sonicated for five minutes in a sonic bath (Fisher Scientific model FS-14), and then injected into the universal liquid module, which is operated at a pumping speed of 50. The volume median diameter (D50, typically in micron) is defined as the particle diameter, where half of the volume distribution resides above this point, and half resides below this point. The D10 is defined as the particle diameter where 10% of the volume distribution lies below this point (D10). The D90 is defined as the particle diameter, where 90% of the volume distribution lies below this point (D90). The mass distribution can be calculated by multiplying by the density of the particles.

[0121] Flowability Test: The standard test funnel consists of a steep angle glass funnel with a 1.25" diameter discharge. The funnel was loaded with 2,500 gm of pellets, and the discharge rate was measured, by accurately timing the discharge time using a stopwatch. The samples were cured at 37°C, to simulate warmest expected temperatures during transportation or storage. The curing was carried out for up to 12 weeks. The flow rate measurement was always carried out at a pellet temperature of 21°C. Before each measurement, the pellets were placed at room temperature, for 24 hours, before each flow measurement.

Blocking Force

Test Method - Unconfined Yield Strength

[0122] A sufficient amount of coated or uncoated pellets was loaded into a 2 inch diameter (ID) cylinder, with a height to diameter ratio of 2.5, such that the level of pellets was flush with the top of the cylinder (typically 100-120 grams pellets). The cylinder was made up of two halves held together, in the vertical dimension, by a hose clamp. The pellets were subjected to a consolidation stress of 195 lb/ft² at 37 °C (static oven, ambient atmosphere). The pellets remain under this consolidated stress for 6 weeks. To measure the unconfined yield strength (UYS) at 21°C, the cylinder was then removed from the oven; the consolidation load was removed, and the pellets (in the cylinder) allowed to cool overnight at ambient temperature (21°C) and atmosphere, to obtain a final sample of consolidated pellets. To measure the unconfined yield strength (UYS) at 0°C, the cylinder was then removed from the oven; the consolidation load was

removed, and the pellets (in the cylinder) allowed to cool overnight in an environmental chamber, set at 0°C, ambient atmosphere, to obtain a final sample of consolidated pellets. The cylinder was placed on the platform of an INSTRON test machine. The two halves of the split cylinder were separated, after removing the hose clamp. If the pellets in the consolidated sample were totally free-flowing, the pellets did not hold the form of a cylinder, and will simply collect into a pile. If the consolidated mass of pellets does hold the form of a cylinder, an INSTRON machine was used to measure the maximum force required to crush the cylinder. The consolidated pellets were crushed using an INSTRON 5543 frame, to measure the maximum force required to break the "cylinder form" of the consolidated pellets. The consolidated pellets were positioned in the INSTRON in the vertical direction — longer dimension is the vertical direction. A constant strain rate of 2 mm/min (room temp.) was used for this test. To ensure data consistency, each composition (coated pellets) was measured twice, and the average reported.

[0123] The unconfined yield strength (UYS) was calculated as follows:

$$\text{UYS (lb/ft}^2\text{)} = \text{Peak force} / \text{cross-section area of cylinder.}$$

[0124] The UYS is an indication of blocking force (the greater the unconfined yield strength, the greater the blocking force). A zero value corresponds to free-flowing pellets.

[0125] **Flexural Modulus:** Flexural modulus (1% secant modulus) was measured according to ASTM D790, using injection molded, ASTM D638, Type 1 tensile bars (see experimental section below). A test speed of 0.05 in/min was used. Five specimens were tested for each sample, and the average 1% secant modulus was reported.

[0126] **Izod Impact Strength:** Notched Izod testing was conducted according to ASTM D256 using injection molded, ASTM D638, Type 1 tensile bars (see experimental section below). Testing was conducted at temperatures of 23°C, 0°C, and -40°C. Five specimens were tested for each sample, at each temperature, and the average impact strength for each sample at each temperature was reported.

[0127] **Dart Impact Testing:** Multi-axial dart impact testing was conducted on an INSTRON CEAST 9350 Drop Tower Impact System (Dynatup), equipped with an environmental chamber, and spring assisted, according to ASTM D3763. Four-inch diameter, "0.125-inch thick" injection molded discs were tested (see experimental section below). The discs were conditioned at the test temperature, for at least four hours, prior to testing. Specimens were removed from the freezer, and placed in an environmental chamber at the specified test temperature. A test speed of 6.7 m/s was used, with a total test mass of 29.131 kg, and "12.7 mm diameter" tup. Five specimens were tested for each sample, at each temperature. Samples were tested at -10°C, -20°C, and -30°C. The tested specimens were each characterized as ductile (no cracking or missing material from the tested part); cracked (cracking of the tested part observed, but no missing material for the tested part); or brittle (material broken off of the tested part or the part was broken into multiple separate pieces). Then the percent ductility was calculated according to the following Equation A:

$$\% \text{ Ductility} = (\text{Nd} * 1 + \text{Nc} * 0.5) / (\text{Nd} + \text{Nc} + \text{Nb}) * 100 \text{ (Eqn. A)},$$

where Nd = number of ductile specimens; Nc = number of cracked specimens; and Nb = number of brittle specimens.

[0128] The following examples illustrate the present invention, but are not intended to limit the scope of the invention.

EXAMPLES

A) Materials

[0129] ENGAGE 8842 (12 = 1.0 g/10 min; density = 0.857 g/cc), available from The Dow Chemical Company.

[0130] ENGAGE 8100 (12 = 1.0 g/10 min; density = 0.870 g/cc), available from The Dow Chemical Company.

[0131] ENGAGE 8200 (12 = 5.0 g/10 min; density = 0.870 g/cc), available from The Dow Chemical Company.

[0132] ENGAGE 8137 (12 = 11.8 g/10 min; density = 0.865 g/cc), available from The Dow Chemical Company.

[0133] Inorganic Powder for Coating: Talc: TALCRON MP 10-52 available from Specialty Minerals.

[0134] Organic Powder for Coating: Calcium Stearate (CaSt): SYNPRO CaSt 500B, available from Valerus.

[0135] Binder for Coating: Polydimethylsiloxane (XIAMETER PMX-200 Silicone Fluid - 350 cSt at 25°C), available from Dow Corning.

[0136] Polypropylene (PP) for each TPO formulation: ADSTIF HA801U (MFR = 65 g/10 min; density = 0.898 g/cc) is a nucleated polypropylene homopolymer available from LyondellBasell Industries.

[0137] Talc for TPO Compound: JETFIL 700C talc available from Imerys.

[0138] Antioxidant for TPO Compound: IRGANOX B 225 antioxidant powder available from BASF.

B) Polymerizations (Copolymers 1 and 2)

[0139] The inventive copolymers were prepared using a single loop reactor operated at steady state conditions. The catalysts and cocatalysts were as follows: catalyst was zirconium, [2,2"-[1,3-propanediylbis(oxy-κO)]bis[3",5,5"-tris(1,1-dimethylethyl)-5'-methyl[1,1':3',1"-terphenyl]-2'-olato-κO]]dimethyl-, (OC-6-33)- supplied by Boulder Scientific; cocatalyst-1 was a mixture of methyl-di(C14-18 alkyl)ammonium salts of tetrakis(pentafluorophenyl)-borate, prepared by reaction of a long chain trialkylamine (ARMEEN M2HT, available from Akzo-Nobel, Inc.), HCl and Li[B(C6F5)4], substantially as disclosed in USP 5,919,983, Ex. 2 (no further purification performed) supplied by Boulder Scientific; and cocatalyst-2 was modified methylalumoxane (MMAO) Type 3A (no further purification performed) supplied by Akzo Nobel.

[0140] All materials (ethylene, 1-octene) and the process solvent (a narrow boiling range, high-Purity, isoparaffinic solvent, ISOPAR E, commercially available from Exxon Mobil Corporation), were purified with molecular sieves, before introduction into the reaction environment. Hydrogen was supplied in pressurized cylinders, as a high purity grade, and was not further purified. The reactor monomer feed (ethylene) stream was pressurized to above reaction pressure at 525 psig. The solvent and comonomer (1-octene) feed was pressurized to above reaction pressure at 525 psig. The individual catalyst components were diluted to specified component concentrations with purified solvent (ISOPAR E), and pressured to above reaction pressure at 525 psig.

[0141] All reaction feed flows were measured with mass flow meters, and independently controlled. The continuous solution polymerization reactor was a controlled loop. The reactor had independent control of all fresh solvent, monomer, comonomer, hydrogen, and catalyst component feeds. The combined solvent, monomer, comonomer and hydrogen feed to the reactor was temperature controlled from 5°C to 50°C, and typically 30°C, by passing the feed stream through a heat exchanger. The fresh comonomer feed to the polymerization reactor was fed in, with the solvent feed.

[0142] The primary catalyst component feed was controlled, to maintain the reactor monomer concentration at a specified target. The two cocatalyst components were fed, based on specified molar ratios to the primary catalyst component. Immediately following each fresh injection location (either feed or catalyst), the feed streams were mixed with the circulating polymerization reactor contents. The contents of each reactor were continuously circulated through heat exchangers, to maintain isothermal reaction environment at the specified temperature. The effluent from the first polymerization reactor (containing solvent, monomer, comonomer, hydrogen, catalyst components, and molten polymer) exited the reactor loop, and was then contacted with water, to stop the reaction. In addition, various additives, such as anti-oxidants, can be added at this point. The stream then entered a two stage separation and devolatilization system, where the polymer was removed from the solvent, hydrogen, and unreacted monomer and comonomer. The solvent (plus dissolved components) was recycled. The recycled stream was purified, before entering the reactor again. The separated and devolatilized polymer melt was pumped through a die, and pelletized. Pellets were roughly spherical in shape and approximately 3 to 6 mm in diameter.

[0143] Process conditions to produce the inventive copolymer are provided in Table 1. Properties of the inventive copolymers (Exs. 1 and 2) and comparative copolymers (Exs. A-D) are listed in Table 2.

Table 1: Polymerization Conditions for Inventive EO Copolymers

Name	1	2
Catalyst Metal Conc., ppm metal	7.4	7.4
Catalyst solution flow, lb/hr	1.10	1.03
Cocatalyst-1 conc., ppm cocat	372	372
Cocatalyst-1 solution flow, lb/hr	1.14	1.09
Cocatalyst-2 conc., ppm A1	61	61
Cocatalyst-2 solution flow, lb/hr	1.58	1.55
Reactor Temperature, °C	169	169
Solvent Flow, lb/hr	497	498
Ethylene Flow, lb/hr	118	119
Octene Flow, lb/hr	305	293
Hydrogen Flow, seem	1446	2006
Ethylene Conversion, %	86	87
Polymer Concentration, %	36	33

(continued)

Name	1	2
Production Rate, lb/hr	222	206

Table 2: Properties of Inventive and Comparative Ethylene/Octene Copolymers (EOs)

Ex.	A ENGAGE 8842	B ENGAGE 8100	C ENGAGE 8200	1	D ENGAGE 8137	2
Density, g/cc	0.857	0.870	0.870	0.859	0.865	0.859
12 (190°C), g/10 min	1.0	1.0	5.0	4.6	11.8	13.1
I10/I2	8.0	7.7	7.4	7.5	7.1	7.1
Mn, kg/mol	55,050	48,480	33,290	40,412	29,980	32,975
Mw, kg/mol	121,310	108,630	71,820	106,774	60,760	64,870
Mw/Mn	2.20	2.24	2.16	2.64	2.03	1.97
Tc, °C	23	43	46	26	40	26
Tg, °C	-58	-52	-52	-61	-53	-61
Tm, °C	39	61	64	45	57	46
AHm, J/g	43	50	89	44	48	43
V0.1, Pa·s (190°C)	8,679	7,936	1,511	1,907	692	638
V100, Pa·s (190°C)	1,478	1,546	683	730	422	404
V0.1/V100	5.9	5.1	2.2	2.6	1.6	1.6

C) Powder coating and application of powder to polymer pellets

[0144] Two powders (80 wt% talc and 20 wt% CaSt) were dry blended at room temperature, in a container, with a handheld, high speed mixer with a turbine impeller, for at least 15 minutes, to form a homogeneous mixture (powder composition). The mixing action was both convective and high shear. The batch size was 100 grams. Pellets (2500 grams, copolymer 1 or copolymer 2) were first coated with the above polydimethylsiloxane oil (binder) by spraying, while tumbling in a batch drum mixer (25 ½" diameter and 6 ¼" long), at room temperature (RPM = 8). The sprayed pellets were tumbled, until the pellets were substantially coated with the binder. The oil coated pellets were then transferred to a large bag (5 gallon), and the powder composition was added in increments of "25 wt% of powder composition," based on total weight of the target coating level of the powder composition. The contents of the bags were mixed for one minute between each addition. The mixing action in the bag was mechanistically similar to a paddle mixer with convective and shear mixing. The binder and powder composition were applied to binder-coated pellets. The amount of the polydimethylsiloxane amount was "250 ppm," based on the weight of the uncoated polymer particles; and the amount of the powder composition was 6,000 ppm based on the weight of the uncoated polymer particles. The coated polymer particles were tested for flowability and blocking.

[0145] Flowability and blocking of the coated polymer particles are shown in Table 3. Flowability of greater than 150 g/s is regarded as sufficient flow of pellets, for example, for proper feeding of pellets into a twin screw extruder.

Table 3: Flowability and Blocking of Coated Polymer Particles

Type	Comp.	Inv.	Comp.	Inv.
EO Copolymer	A	1	D	2
EO 12, dg/min	1.0	4.6	11.8	13.1

EP 3 684 864 B9

(continued)

Type	Comp.	Inv.	Comp.	Inv.
EO Density, g/cc	0.857	0.859	0.865	0.859
EO Coating	3500 ppm Talc	250 ppm binder + 6000 ppm CaSt2/Talc (20/80 wt%)	3500 ppm Talc	250 ppm binder + 6000 ppm CaSt2/Talc (20/80 wt%)
Flowability after curing 12 weeks at 37°C, g/s	-	233	-	224
Unconfined yield strength at 0°C, after curing at 37°C for 6 weeks (lb/ft ²)	-	580	-	595
Unconfined yield strength at 21°C, after curing at 37°C for 6 weeks (lb/ft ²)	-	215	-	360

D) TPO

[0146] The above coated particles were used to form TPO formulations. TPO formulations are listed in Table 4. The same PP, talc, and antioxidant were used for all of the TPO formulations. The TPO formulations were prepared and tested using the methods described below.

Table 4: TPO Formulations

Type	Comp.	Comp.	Comp.	Inv.	Comp.	Inv.
Ex.	TPO A	TPO B	TPO C	TPO 1	TPO D	TPO 2
EO Copolymer	A	B	C	1	D	2
EO 12, dg/min	1.0	1.1	5.0	4.6	11.8	13.1
EO Density, g/cc	0.857	0.870	0.870	0.859	0.865	0.859
EO Coating ¹	3500 ppm Talc	None	None	250 ppm binder + 6000 ppm CaSt2/Talc (20/80 wt%)	3500 ppm Talc	250 ppm binder + 6000 ppm CaSt2/Talc (20/80 wt%)
Coated Polymer Particles wt% / Elastomer wt% ²	29.3 /29.20			29.3/29.12	29.3 /29.20	29.3/29.12
EO wt% ³		29.3	29.3			
PP wt% ³	60.5	60.5	60.5	60.5	60.5	60.5
Talc wt% ³	10.0	10.0	10.0	10.0	10.0	10.0
Antioxidant wt% ³	0.2	0.2	0.2	0.2	0.2	0.2
MFR (2.16 kg, 230°C), g/10 min	25	23	42	44	51	50
Type	Comp.	Comp.	Comp.	Inv.	Comp.	Inv.
Ex.	TPO E	TPO F	TPO G	TPO 3	TPO H	TPO 4
Elastomer	A	B	C	1	D	2
Elastomer 12, dg/min	1.0	1.1	5.0	4.6	11.8	13.1

EP 3 684 864 B9

(continued)

Type	Comp.	Comp.	Comp.	Inv.	Comp.	Inv.
Elastomer Density, g/cc	0.857	0.870	0.870	0.859	0.865	0.859
Elastomer Coating ¹	3500 ppm Talc	None	None	250 ppm binder + 6000 ppm CaSt2/Talc (20/80 wt%)	3500 ppm Talc	250 ppm binder + 6000 ppm CaSt2/Talc (20/80 wt%)
Coated Polymer Particles wt% / Elastomer wt% ²	33.8/33.68			33.8/33.59	33.8/33.68	33.8/33.59
Elastomer wt% ³		33.8	33.8			
PP wt% ³	56.0	56.0	56.0	56.0	56.0	56.0
Talc wt% ³	10.0	10.0	10.0	10.0	10.0	10.0
Antioxidant wt% ³	0.2	0.2	0.2	0.2	0.2	0.2
MFR (2.16 kg, 230°C), g/10 min	21	20	34	35	48	50
The ppm amount based on weight of uncoated polymer particles. ² Each wt% based on weight of TPO formulation. ³ The wt% based on weight of TPO formulation.						

Compounding:

[0147] TPO formulations were prepared on a Coperion ZSK-25mm, twin screw extruder, equipped with a two-hole die, water bath, and strand cutter. All components were added via the main feed throat. The polymer components were dry-blended, along with the IRGANOX B225 antioxidant, and fed via a loss-in-weight feeder. A few drops of oil were added to the pellets to help adhere the antioxidant powder to the pellets. The talc was fed to the main feed throat via a separate powder feeder. The compound was extruded as a strand, which was cooled in a water bath, passed under an air knife, and pelletized using a strand cutter. All compounds were dried by purging with a nitrogen stream overnight. The process conditions used for all of the compounds is provided in Table 5.

Table 5: Compounding Conditions

Zone 1 °C	130
Zone 2 °C	180
Zone 3 °C	200
Zone 4 °C	200
Zone 5 °C	200
Zone 6 °C	200
Zone 7 °C	200
Zone 8 °C	200
Extruder RPM	300
Rate, lb/hr	30

[0148] Injection Molding: The TPO compounds, in pellet form, were converted to test samples, for mechanical testing, by injection molding. Injection molded parts were made on a "Krauss-Maffei KM 110-390/390 CL" injection molding machine, equipped with an Axxicon mold base. ASTM D638 Type I tensile bars, and 4" diameter, 0.125" thick discs were made. The same molding conditions were used for all of the inventive and comparative examples listed in Table

EP 3 684 864 B9

4, using the injection molding conditions listed in Table 6. The ASMT D638 Type I tensile bars were used to measure flexural modulus and notched Izod impact strength. The injection molded discs were used to measure multi-axial dart impact. The mechanical properties of the inventive and comparative TPO compounds are provided in Table 7.

5

Table 6: Injection Molding Conditions

Condition	Units	4" Disc	ASTM D638 Type 1
Feed Throat Temperature	°C	30	30
Zone 1 Temperature	°C	226	226
Zone 2 Temperature	°C	226	226
Zone 3 Temperature	°C	226	226
Zone 4 Temperature	°C	226	226
Zone 5 Temperature	°C	226	226
Nozzle Temperature	°C	226	226
Mold Temperature	°F	90	90
RPM	rpm	90	90
Backpressure	bar	50	50
Dosage Delay	sec	0	0
Dosage	mm	45	40
Suckback	mm	5	5
Injection Speed	mm/s	40	40
Injection Pressure	bar	2000	2000
Switch Over Position	mm/s	15	10
Hold Pressure	bar	350	425
Hold Time	sec	21	21
Cool Time	sec	21	21

10

15

20

25

30

35

Table 7: TPO Mechanical Properties and MFR

Type	Comp.	Comp.	Comp.	Inv.	Comp.	Inv.
Ex.	TPO A	TPO B	TPO C	TPO 1	TPO D	TPO 2
Flexural Modulus, kpsi	209	222	218	199	205	182
Izod strength at 23°C, kJ/m ²	45.9	9.5	8.0	32.7	9.8	26.9
Izod strength at 0°C, kJ/m ²	12.6	6.2	5.5	13.9	6.5	9.0
Izod strength at -40°C, kJ/m ²	5.4	5.2	3.9	5.2	4.1	4.5
Dart at -10°C, % Ductility	90	40	20	100	30	100
Dart at -20°C, % Ductility	90	0	0	100	0	40
Dart at -30°C, % Ductility	60	0	0	30	0	0
MFR, 2.16 kg, 230°C, dg/min	25	23	42	44	51	50
Type	Comp.	Comp.	Comp.	Inv.	Comp.	Inv.
Ex.	TPO E	TPO F	TPO G	TPO 3	TPO H	TPO 4
Flexural Modulus, kpsi	181	185	183	182	180	165
Izod strength at 23°C, kJ/m ²	61.1	46.9	26.2	41.2	22.3	29.2

40

45

50

55

(continued)

Type	Comp.	Comp.	Comp.	Inv.	Comp.	Inv.
Izod strength at 0°C, kJ/m ²	52.8	31.6	7.4	32.1	10.9	19.1
Izod strength at -40°C, kJ/m ²	9.9	6.5	5.1	7.7	5.1	5.6
Dart at -10°C, % Ductility	100	100	100	100	90	100
Dart at -20°C, % Ductility	100	100	100	100	20	100
Dart at -30°C, % Ductility	100	10	0	80	0	90
MFR, 2.16 kg, 230°C, dp/min	21	20	34	35	48	50

[0149] The powder composition will not affect these mechanical properties. The low binder level will not affect these mechanical properties.

E) Summary of Results

[0150] Inventive TPO 1 and TPO 3 comprise an ethylene-octene copolymer (Inventive Copolymer 1) of lower density and similar melt index to the elastomer (Comparative Copolymer C) used in TPO C and TPO G. It was discovered that TPO 1 and TPO 3 had slightly lower flexural modulus and similar MFR as TPO C and TPO G, respectively, but were advantaged in impact toughness, with higher Izod impact strength and higher dart ductility over the temperature ranges tested. In addition, despite the low density and high MI of the Inventive Copolymer 1, used in TPO 1 and TPO 3, it was discovered that pellets of Inventive Copolymer 1 were free-flowing pellets, which allowed facile production of the TPO compounds on typical twin screw extrusion equipment. Similarly, inventive TPO 2 and TPO 4 comprise an ethylene-octene copolymer (Inventive Copolymer 2) of lower density and similar melt index to the elastomer (Comparative Copolymer D) used in TPO D and TPO H. It was discovered that TPO 2 and TPO 4 had lower flexural modulus and similar MFR as TPO D and TPO H, respectively, but were advantaged in impact toughness, with higher Izod impact strength and higher dart ductility over the temperature ranges tested. In addition, despite the low density and high MI of the Inventive Copolymer 2 used in TPO 2 and TPO 4, the pellets of Inventive Copolymer 2 were free-flowing pellets, which allowed facile production of the TPO compounds on typical twin screw extrusion equipment.

[0151] Inventive TPO 1 and TPO 3 comprise an ethylene-octene copolymer (Inventive Copolymer 1) of higher melt index and similar density to the elastomer (Comparative Example A) used in TPO A and TPO E. It was discovered that TPO 1 and TPO 3 have slightly lower Izod impact strength and similar flexural modulus, as compared to TPO A and TPO E, respectively, but have similar dart ductility over the -10°C to -30°C temperature range, and much higher MFR. Higher MFR of the TPO compound is advantageous for filling thinner and larger injection molded parts. Also, despite the higher MI of Inventive Copolymer 1, as compared to Comparative Example A, the pellets of Inventive Copolymer 1 were free-flowing pellets, which allowed facile production of the TPO compounds on typical twin screw extrusion equipment. It has been discovered that the inventive TPO formulations surprisingly provide excellent flow, stiffness, and toughness.

Claims

1. A composition comprising the following:

A) coated polymer particles, and wherein the polymer particles are formed from a first composition comprising an ethylene-based polymer that comprises the following properties: a density from 0.854 to 0.860 g/cc, and a melt index (I₂) from 4.0 to 15.0 g/10 min; and

wherein the polymer particles comprise a coating on at least a portion of the total surface of the polymer particles, and

wherein the coating is formed from a powder composition comprising at least one inorganic powder, and at least one organic powder selected from a metal stearate and/or a polymer powder, and wherein the weight ratio of the total amount of the inorganic powder to the total amount of the organic powder is from 3.0 to 50.0;

B) optionally, a propylene-based polymer.

2. The composition of claim 1, comprising the propylene-based polymer of component B.

3. The composition of claim 2, wherein the propylene-based polymer of component B has a MFR from 20 to 120 g/10 min, and a density from 0.880 to 0.920 g/cc.
- 5 4. The composition of claim 2 or claim 3, wherein composition has a MFR ≥ 30 g/10 min.
5. The composition of any one of claims 2-4, wherein composition has a MFR from 30 to 60 g/10 min.
6. The composition of any one of claims 2-5, wherein composition comprises ≥ 50 wt% component B, and ≤ 50 wt% component A, wherein each wt% based on the weight of the composition.
- 10 7. The composition of any one of the previous claims, wherein, for component A, the first composition comprises ≥ 95 wt% of the ethylene-based polymer, based on the weight of the first composition.
8. The composition of any one of the previous claims, wherein, for component A, the ethylene-based polymer is an ethylene/alpha-olefin interpolymer.
- 15 9. The composition of any one of the previous claims, wherein, for component A, the organic powder is a metal stearate.
10. The composition of any one of the previous claims, wherein, for component A, the inorganic powder is selected from the group consisting of the following: talc, mica, calcium carbonate, finely divided silica, fumed silica, quartz, and combinations thereof.
- 20 11. The composition of any one of the previous claims, wherein, for component A, the coated polymer particles further comprise a binder.
- 25 12. The composition of claim 11, wherein the binder is a silicone fluid.
13. An article comprising at least one component formed from the composition of any one of the previous claims.

30

Patentansprüche

1. Eine Zusammensetzung, die Folgendes beinhaltet:
- 35 A) beschichtete Polymerpartikel, und wobei die Polymerpartikel aus einer ersten Zusammensetzung gebildet sind, die ein Polymer auf Ethylenbasis beinhaltet, welches die folgenden Eigenschaften beinhaltet: eine Dichte von 0,854 bis 0,860 g/cm³ und einen Schmelzindex (I2) von 4,0 bis 15,0 g/10 min; und
- 40 wobei die Polymerpartikel eine Beschichtung auf mindestens einem Teil der Gesamtoberfläche der Polymerpartikel beinhalten und
wobei die Beschichtung aus einer Pulverzusammensetzung gebildet ist, die mindestens ein anorganisches Pulver und mindestens ein organisches Pulver, ausgewählt aus einem Metallstearat und/oder einem Polymerpulver, beinhaltet, und wobei das Gewichtsverhältnis der Gesamtmenge des anorganischen Pulvers zu der Gesamtmenge des organischen Pulvers 3,0 bis 50,0 beträgt;
- 45 (B) optional ein Polymer auf Propylenbasis.
2. Zusammensetzung gemäß Anspruch 1, die das Polymer auf Propylenbasis der Komponente B beinhaltet.
- 50 3. Zusammensetzung gemäß Anspruch 2, wobei das Polymer auf Propylenbasis der Komponente B eine MFR (Melt Flow Rate, Schmelzflussrate) von 20 bis 120 g/10 min und eine Dichte von 0,880 bis 0,920 g/cm³ aufweist.
4. Zusammensetzung gemäß Anspruch 2 oder Anspruch 3, wobei die Zusammensetzung eine MFR ≥ 30 g/10 min aufweist.
- 55 5. Zusammensetzung gemäß einem der Ansprüche 2-4, wobei die Zusammensetzung eine MFR von 30 bis 60 g/10 min aufweist.

EP 3 684 864 B9

6. Zusammensetzung gemäß einem der Ansprüche 2-5, wobei die Zusammensetzung zu ≥ 50 Gew.-% Komponente B und zu ≤ 50 Gew.-% Komponente A beinhaltet, wobei alle Gew.-% auf das Gewicht der Zusammensetzung bezogen sind.
- 5 7. Zusammensetzung gemäß einem der vorhergehenden Ansprüche, wobei die erste Zusammensetzung für Komponente A, bezogen auf das Gewicht der ersten Zusammensetzung, zu ≥ 95 Gew.-% das Polymer auf Ethylenbasis beinhaltet.
- 10 8. Zusammensetzung gemäß einem der vorhergehenden Ansprüche, wobei das Polymer auf Ethylenbasis für Komponente A ein Ethylen-alpha-Olefin-Mischpolymer ist.
9. Zusammensetzung gemäß einem der vorhergehenden Ansprüche, wobei das organische Pulver für Komponente A ein Metallstearat ist.
- 15 10. Zusammensetzung gemäß einem der vorhergehenden Ansprüche, wobei das anorganische Pulver für Komponente A aus der Gruppe ausgewählt ist, die aus Folgendem besteht: Talkum, Glimmer, Calciumcarbonat, feinverteilter Siliciumdioxid, pyrogenem Siliciumdioxid, Quarz und Kombinationen davon.
- 20 11. Zusammensetzung gemäß einem der vorhergehenden Ansprüche, wobei die beschichteten Polymerpartikel für Komponente A ferner ein Bindemittel beinhalten.
12. Zusammensetzung gemäß Anspruch 11, wobei das Bindemittel eine Silikonflüssigkeit ist.
- 25 13. Ein Artikel, der mindestens eine Komponente beinhaltet, die aus der Zusammensetzung gemäß einem der vorhergehenden Ansprüche gebildet ist.

Revendications

- 30 1. Une composition comprenant ce qui suit :
- A) des particules de polymère enrobées, et où les particules de polymère sont formées à partir d'une première composition comprenant un polymère à base d'éthylène qui comprend les propriétés suivantes : une masse volumique allant de 0,854 à 0,860 g/cm³, et un indice de fluidité à chaud (I2) allant de 4,0 à 15,0 g/10 min ; et
- 35 où les particules de polymère comprennent un enrobage sur au moins une partie de la surface totale des particules de polymère, et où l'enrobage est formé à partir d'une composition de poudre comprenant au moins une poudre inorganique, et au moins une poudre organique sélectionnée parmi un stéarate de métal et/ou une poudre polymère, et
- 40 où le rapport en poids de la quantité totale de la poudre inorganique à la quantité totale de la poudre organique va de 3,0 à 50,0 ;
- B) facultativement, un polymère à base de propylène.
- 45 2. La composition de la revendication 1, comprenant le polymère à base de propylène du constituant B.
3. La composition de la revendication 2, où le polymère à base de propylène du constituant B a un IFC allant de 20 à 120 g/10 min, et une masse volumique allant de 0,880 à 0,920 g/cm³.
- 50 4. La composition de la revendication 2 ou de la revendication 3, où la composition a un IFC ≥ 30 g/10 min.
5. La composition de n'importe laquelle des revendications 2 à 4, où la composition a un IFC allant de 30 à 60 g/10 min.
6. La composition de n'importe laquelle des revendications 2 à 5, où la composition comprend ≥ 50 % en poids du constituant B, et ≤ 50 % en poids du constituant A, où chaque pourcentage en poids est rapporté au poids de la composition.
- 55 7. La composition de n'importe laquelle des revendications précédentes, où, pour le constituant A, la première com-

EP 3 684 864 B9

position comprend ≥ 95 % en poids du polymère à base d'éthylène, rapporté au poids de la première composition.

5 8. La composition de n'importe laquelle des revendications précédentes, où, pour le constituant A, le polymère à base d'éthylène est un interpolymère d'éthylène/alpha-oléfine.

9. La composition de n'importe laquelle des revendications précédentes, où, pour le constituant A, la poudre organique est un stéarate de métal.

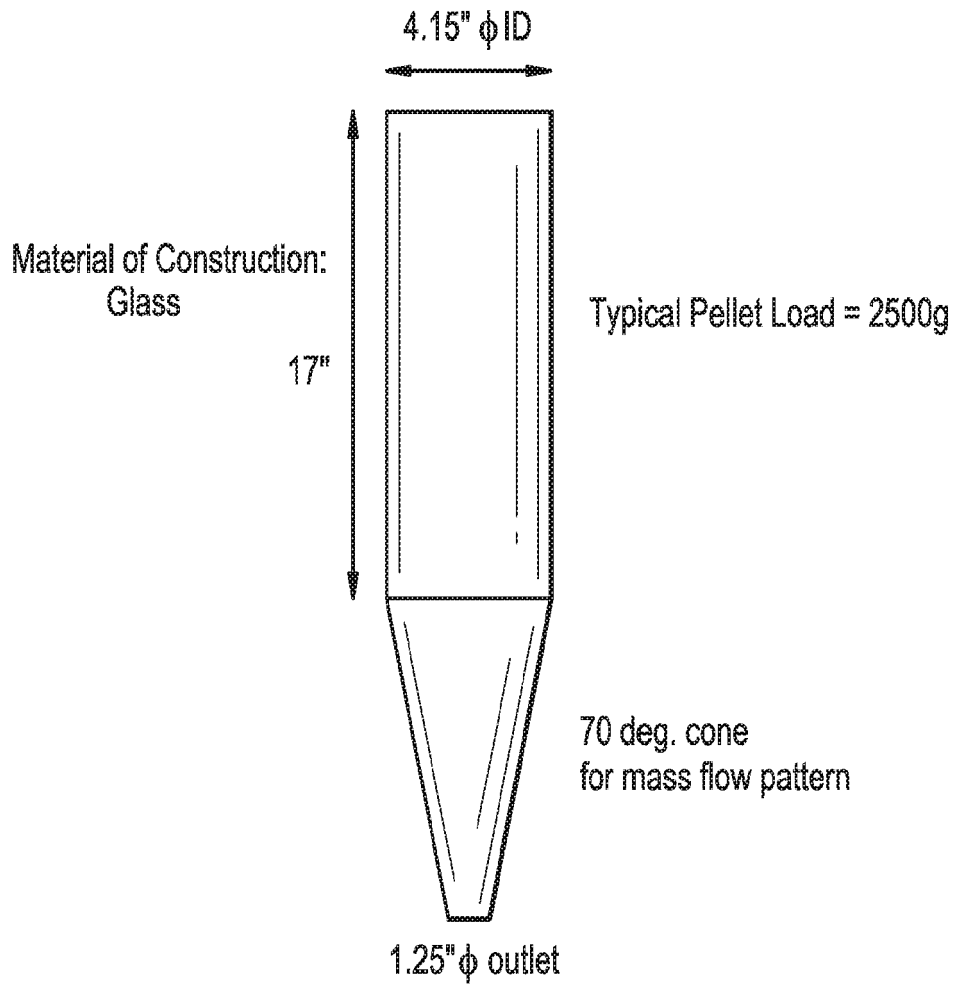
10 10. La composition de n'importe laquelle des revendications précédentes, où, pour le constituant A, la poudre inorganique est sélectionnée dans le groupe constitué de ce qui suit : talc, mica, carbonate de calcium, silice finement divisée, silice pyrogénée, quartz, et combinaisons de ceux-ci.

11. La composition de n'importe laquelle des revendications précédentes, où, pour le constituant A, les particules de polymère enrobées comprennent en outre un liant.

12. La composition de la revendication 11, où le liant est un fluide de silicone.

13. Un article comprenant au moins un constituant formé à partir de la composition de n'importe laquelle des revendications précédentes.

FIG. 1



REFERENCES CITED IN THE DESCRIPTION

This list of references cited by the applicant is for the reader's convenience only. It does not form part of the European patent document. Even though great care has been taken in compiling the references, errors or omissions cannot be excluded and the EPO disclaims all liability in this regard.

Patent documents cited in the description

- WO 2014152726 A [0002]
- WO 2017049064 A [0003]
- US 6136937 A [0003]
- US 5925703 A [0003]
- US 5919983 A [0139]

Non-patent literature cited in the description

- **WILLIAMS ; WARD.** *J. Polym. Sci., Polym. Let.*, 1968, vol. 6, 621 [0117]